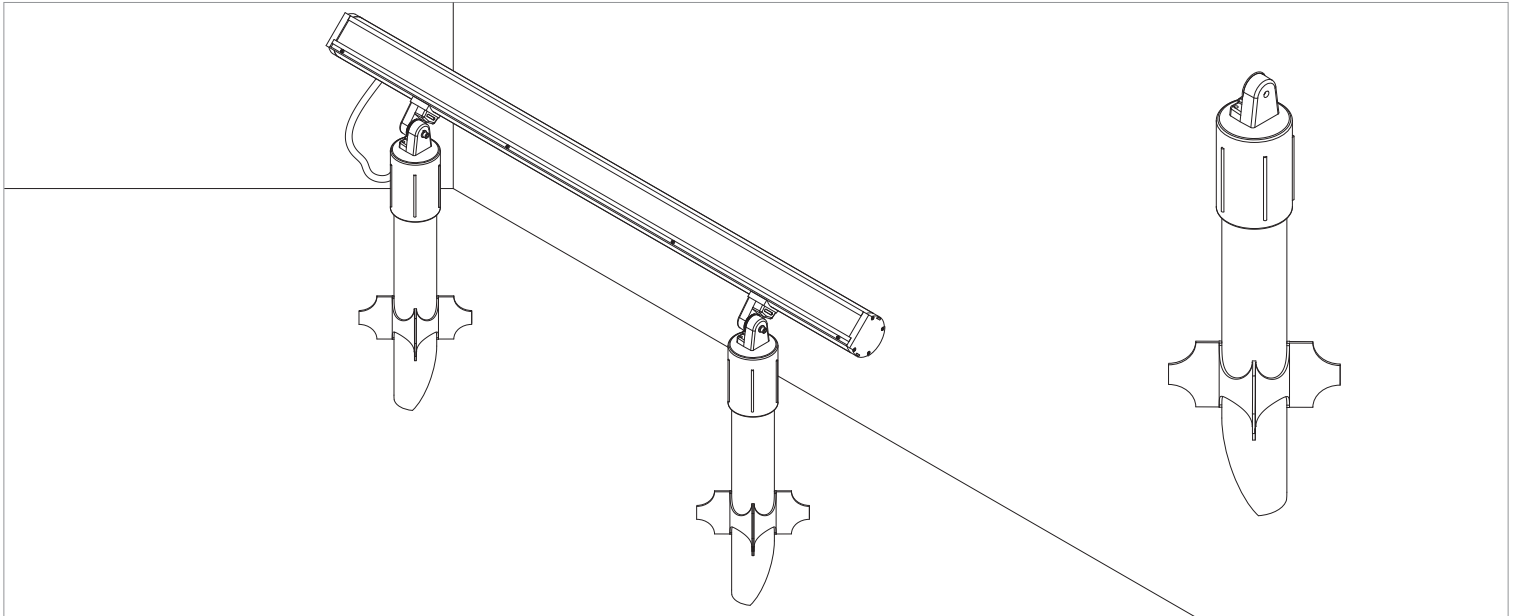


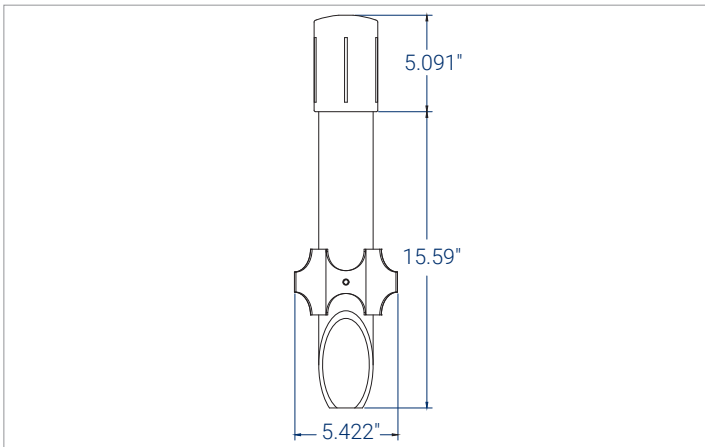


WARNING!

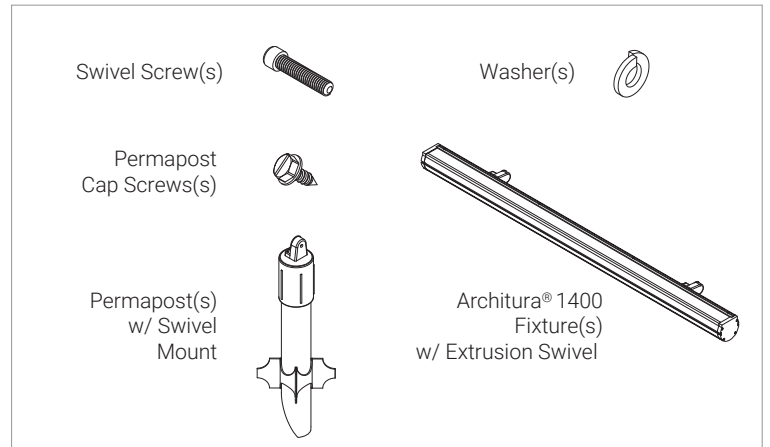
- READ THE PROVIDED INSTRUCTIONS PRIOR TO INSTALLING.
- INSTALLATION SHOULD BE CARRIED OUT BY QUALIFIED INSTALLERS.
- THE INSTALLER HAS THE FINAL RESPONSIBILITY FOR THE STRENGTH AND RIGIDITY OF THE WALL/CEILING STRUCTURE.
- A MINIMUM OF 2 PEOPLE REQUIRED WHEN INSTALLING LONG LENGTH FIXTURES.



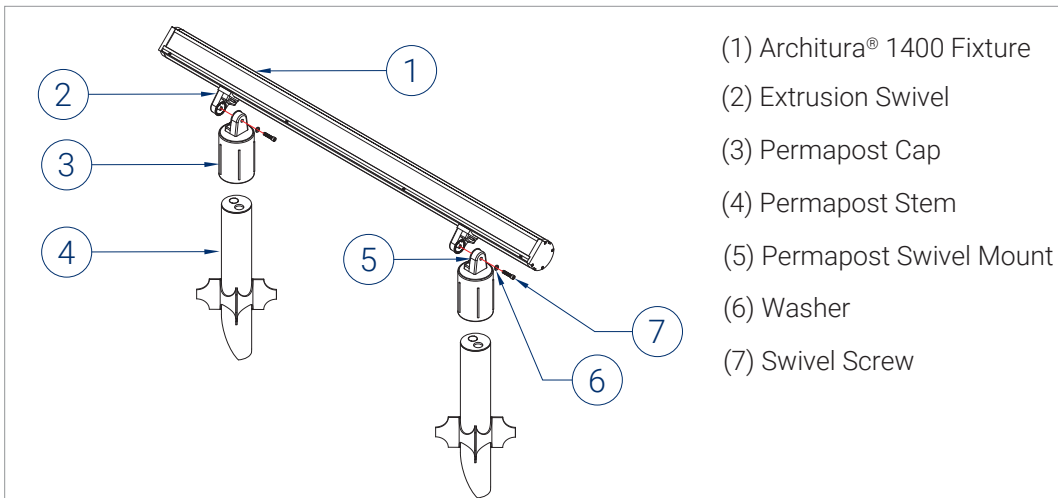
MOUNT DIMENSIONS



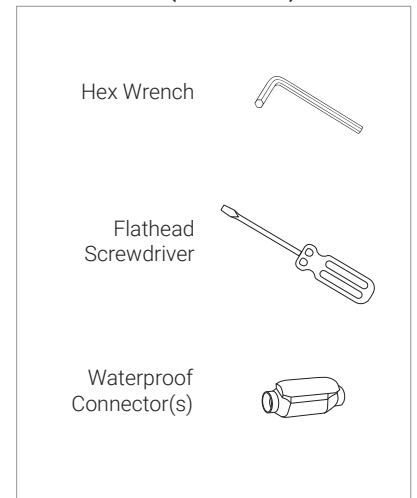
PACKAGE INCLUDES



ISOMETRIC / EXPLODED VIEW

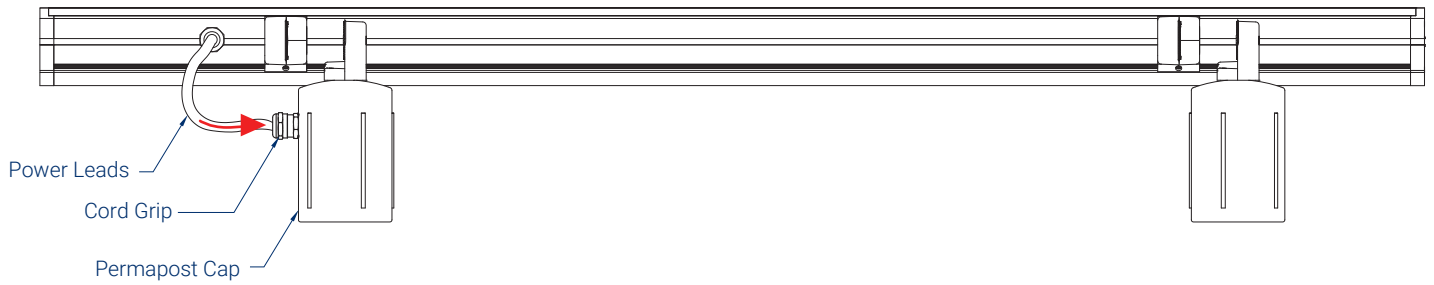


ITEMS NEEDED (BY OTHERS)



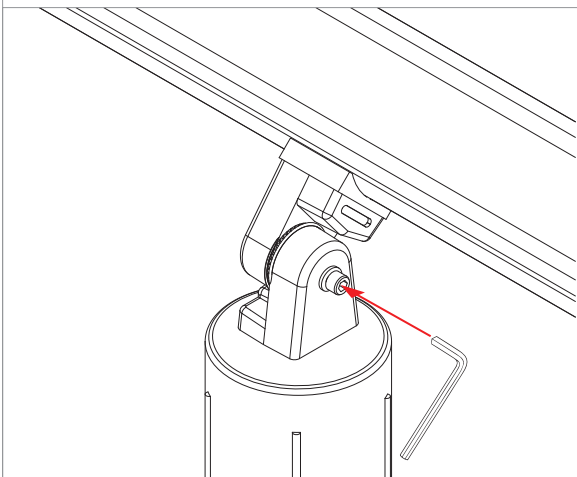
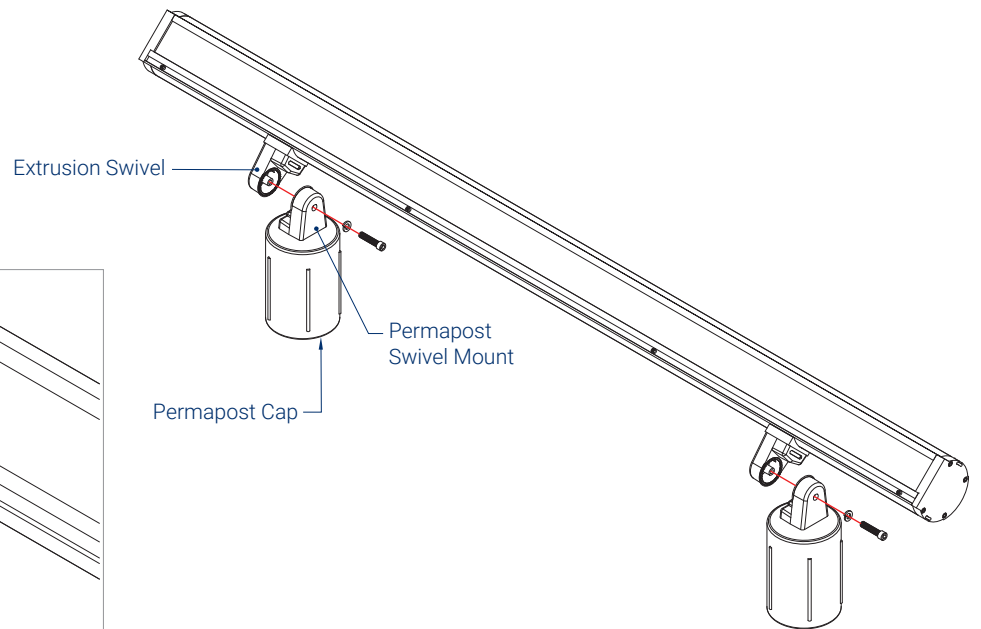
1 INSERT POWER LEADS

- INSERT FIXTURE POWER LEADS INTO PERMAPOST CAP WITH CORD GRIP.



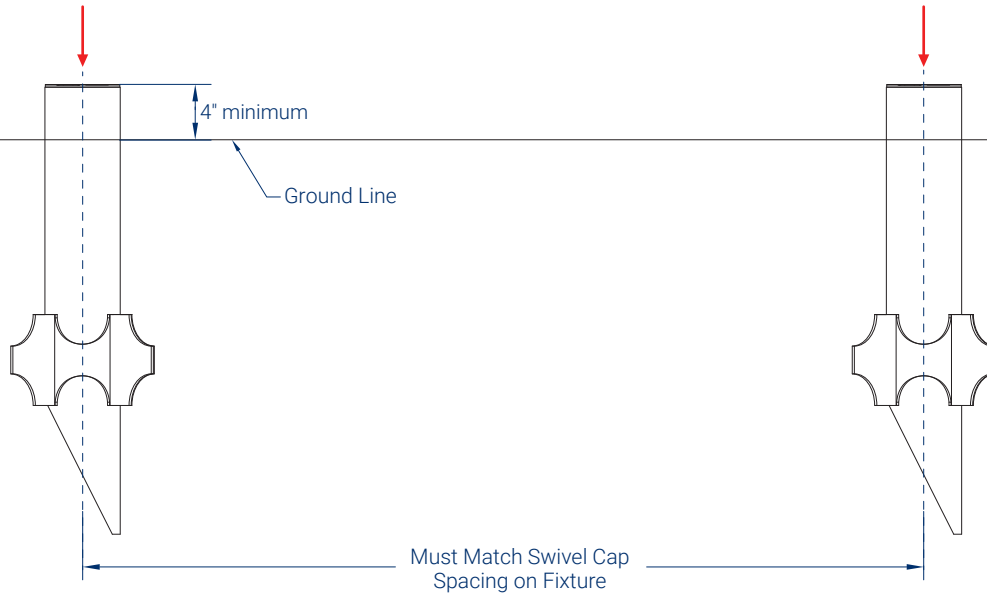
2 MOUNT FIXTURE TO PERMAPOST CAP(S)

- ATTACH EXTRUSION SWIVEL TO PERMAPOST SWIVEL MOUNT ON PERMAPOST CAPS.
- USE THE SWIVEL SCREWS AND WASHERS TO LOOSELY ATTACH THE SWIVEL MOUNTS TOGETHER. THE WASHER PRECEDES THE SCREW. (SEE ILLUSTRATION).



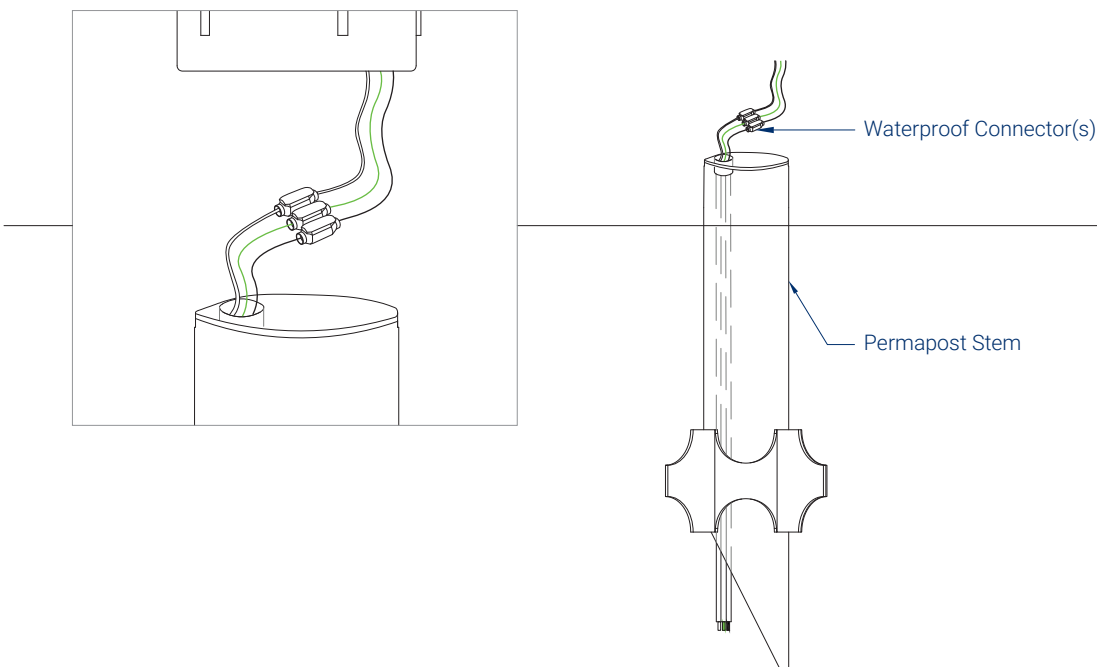
3 INSERT PERMAPOST STEM(S)

- INSERT PERMAPOST STEM(S) INTO THE GROUND TO THE SAME DISTANCE THE AS THE CAPS ON THE FIXTURE.
- IT IS RECOMMENDED THAT FIXTURE IS MOUNTED AT LEAST 4" ABOVE GROUND LEVEL TO ENSURE WATER RUNOFF.



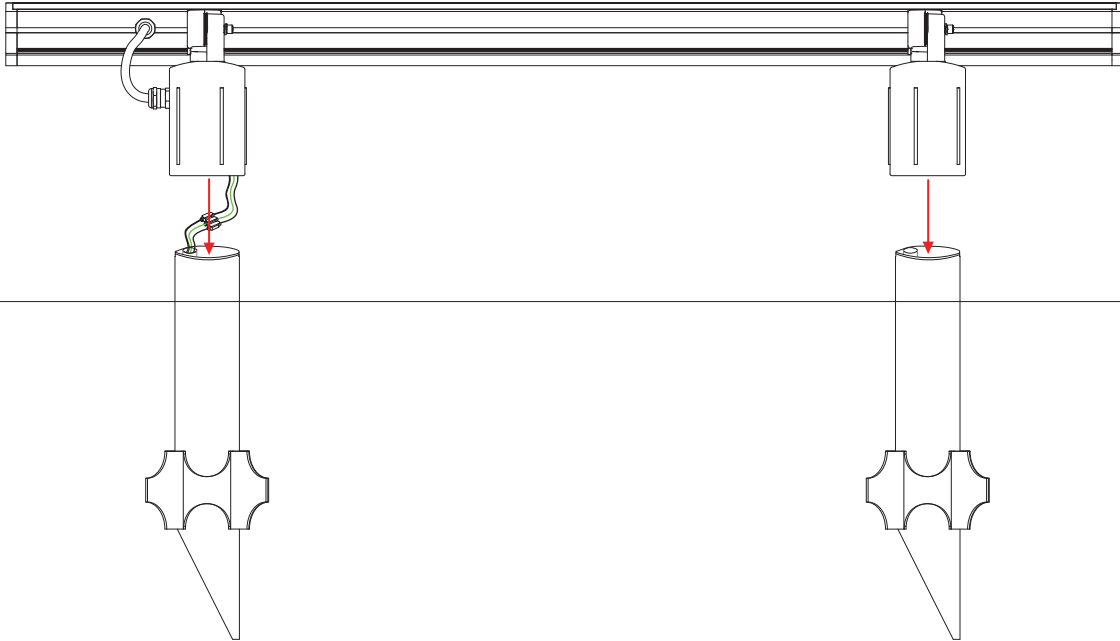
4 COMPLETE WIRING

- WIRE FIXTURE INSIDE THE PERMAPOST STEM. USE ONLY WATERPROOF CONNECTORS.

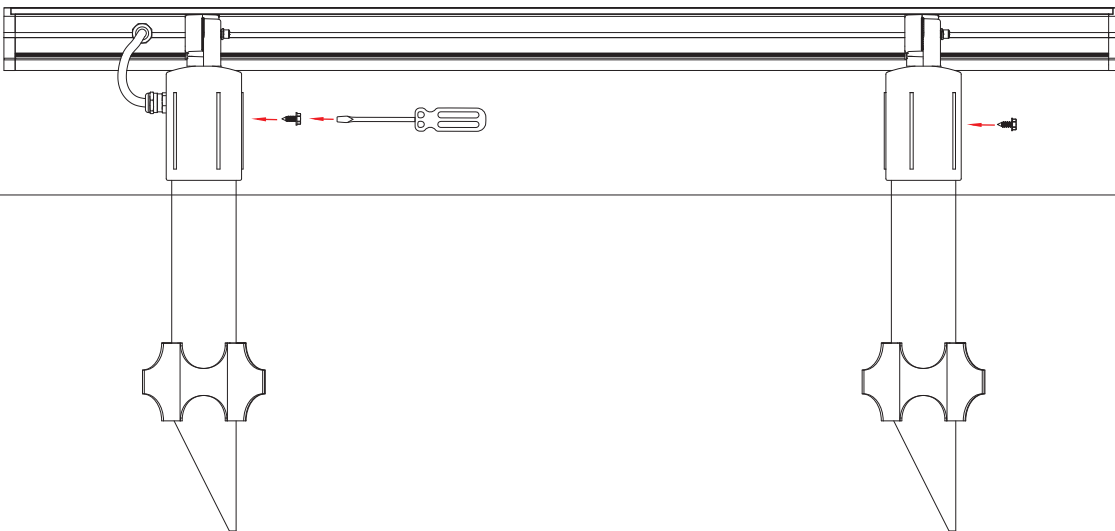


5 POSITION PERMAPOST CAPS ONTO PERMAPOST STEMS

- POSITION AND PLACE FIXTURE WITH ATTACHED PERMAPOST CAPS ONTO THE PERMAPOST STEMS.
(IF NEEDED, EXTRUSION SWIVEL IS SLIDABLE FOR EASIER SPACING ADJUSTMENTS).

**6 SECURE PERMAPOST CAPS**

- SECURE PERMAPOST CAPS TO THE STEMS WITH THE PERMAPOST SCREWS..



7 SELECT DESIRED ANGLE

- ROTATE AND TILT THE FIXTURE INTO DESIRED ANGLE.
- TIGHTEN SWIVEL SCREWS TO SECURE.

