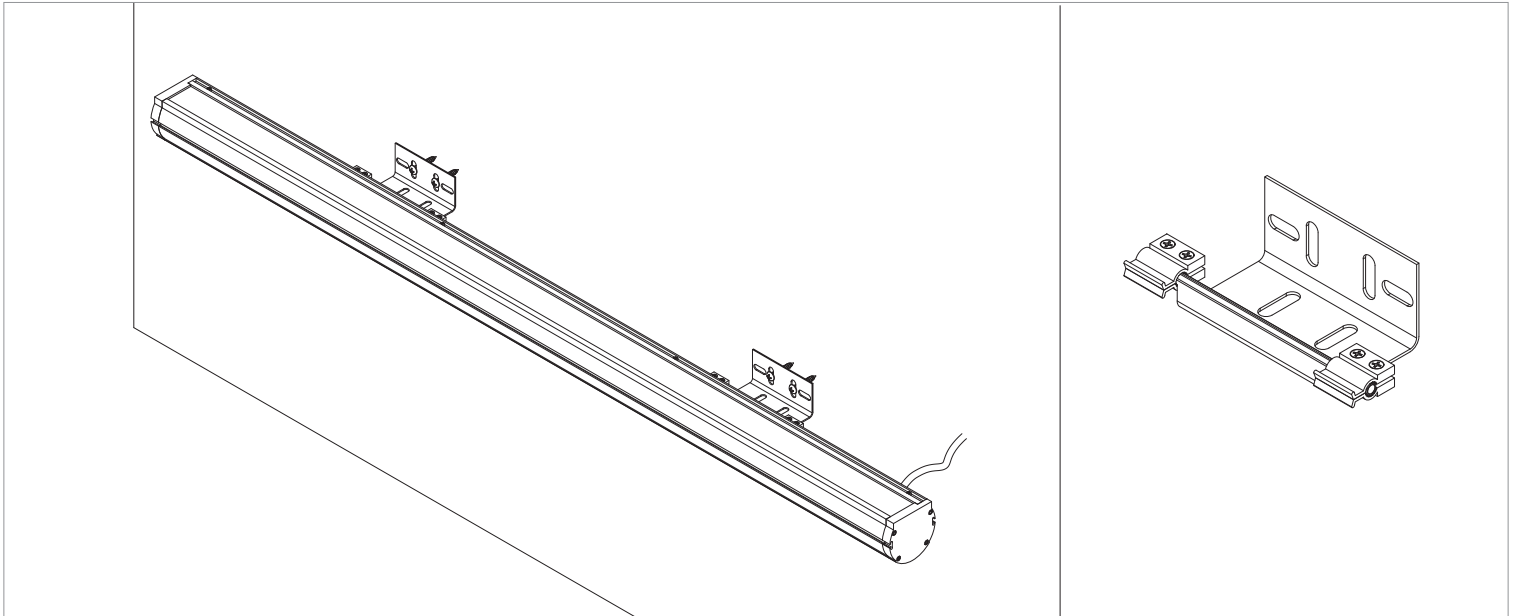


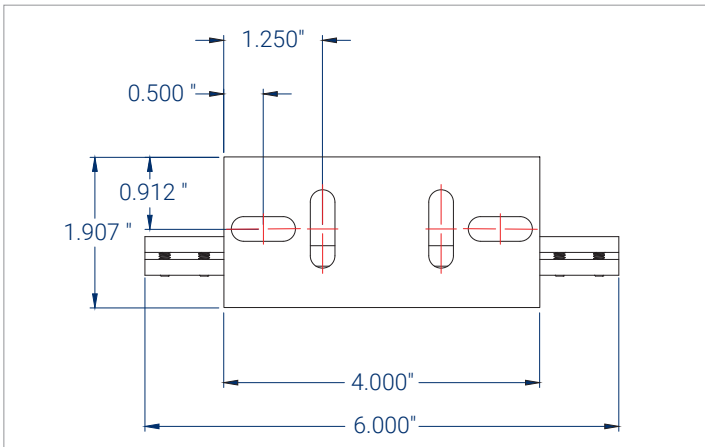


WARNING!

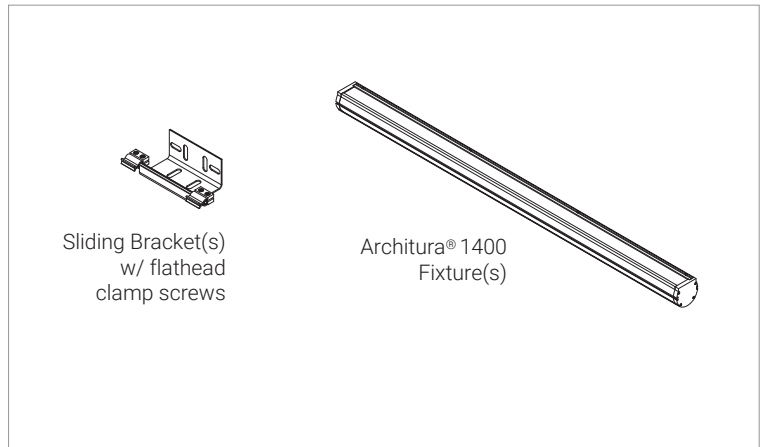
- READ THE PROVIDED INSTRUCTIONS PRIOR TO INSTALLING.
- INSTALLATION SHOULD BE CARRIED OUT BY QUALIFIED INSTALLERS.
- THE INSTALLER HAS THE FINAL RESPONSIBILITY FOR THE STRENGTH AND RIGIDITY OF THE WALL/CEILING STRUCTURE.
- A MINIMUM OF 2 PEOPLE REQUIRED WHEN INSTALLING LONG LENGTH FIXTURES.



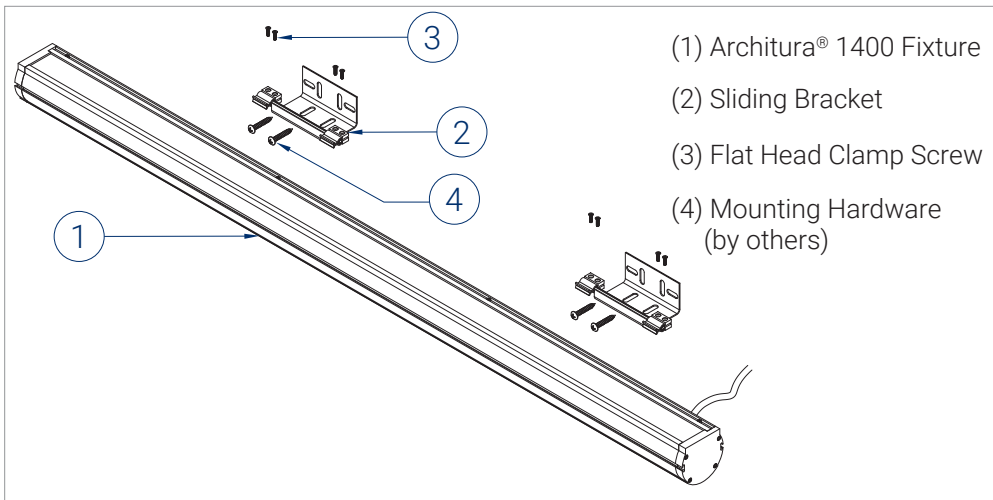
MOUNT DIMENSIONS



PACKAGE INCLUDES

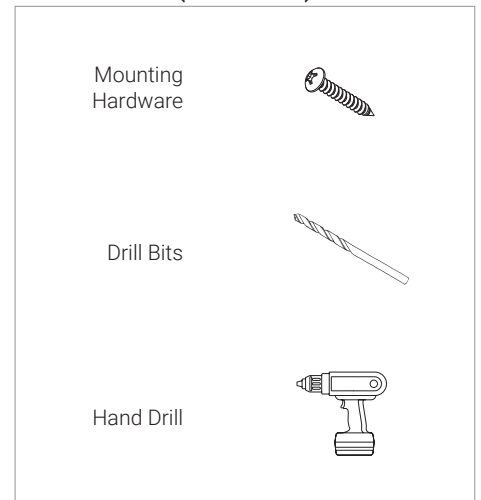


ISOMETRIC / EXPLODED VIEW



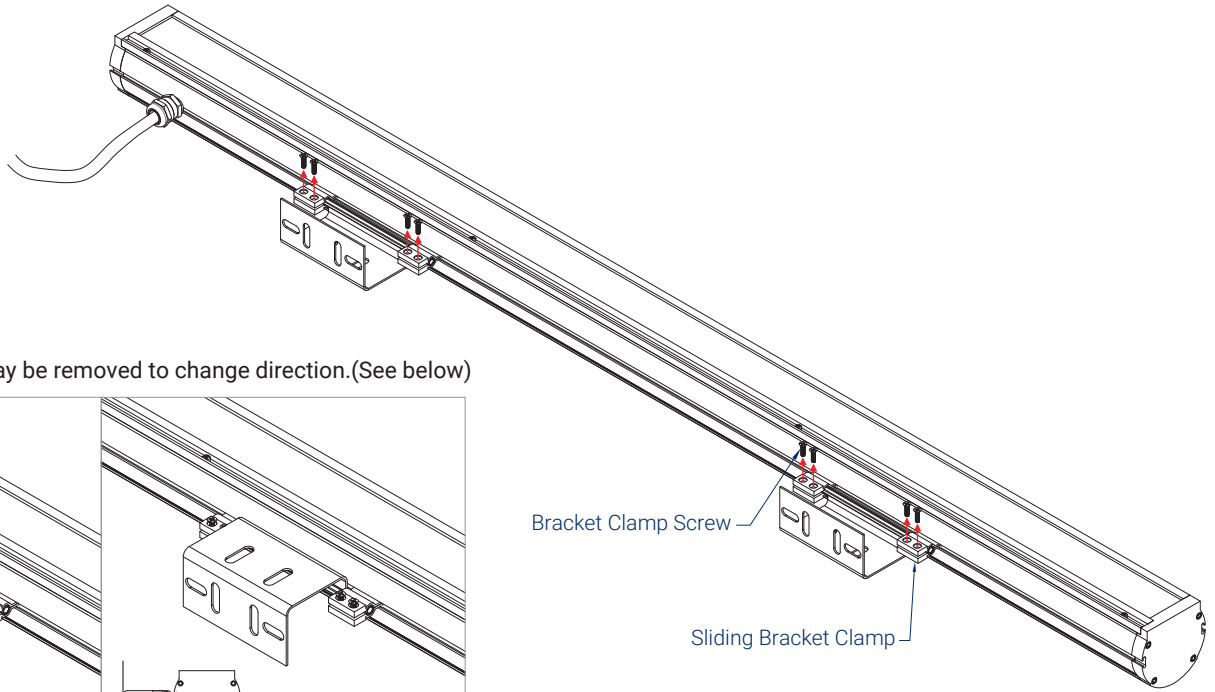
- (1) Architura® 1400 Fixture
- (2) Sliding Bracket
- (3) Flat Head Clamp Screw
- (4) Mounting Hardware (by others)

ITEMS NEEDED (BY OTHERS)



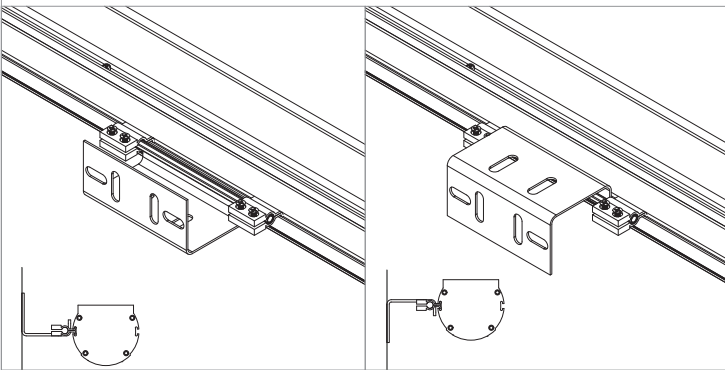
1 ADJUST SLIDING BRACKET LOCATION

- LOOSEN SLIDING BRACKET CLAMPS BY LOOSENING THE BRACKET CLAMP SCREWS.
- ADJUST SLIDING BRACKET LOCATION AND FIXTURE ORIENTATION.



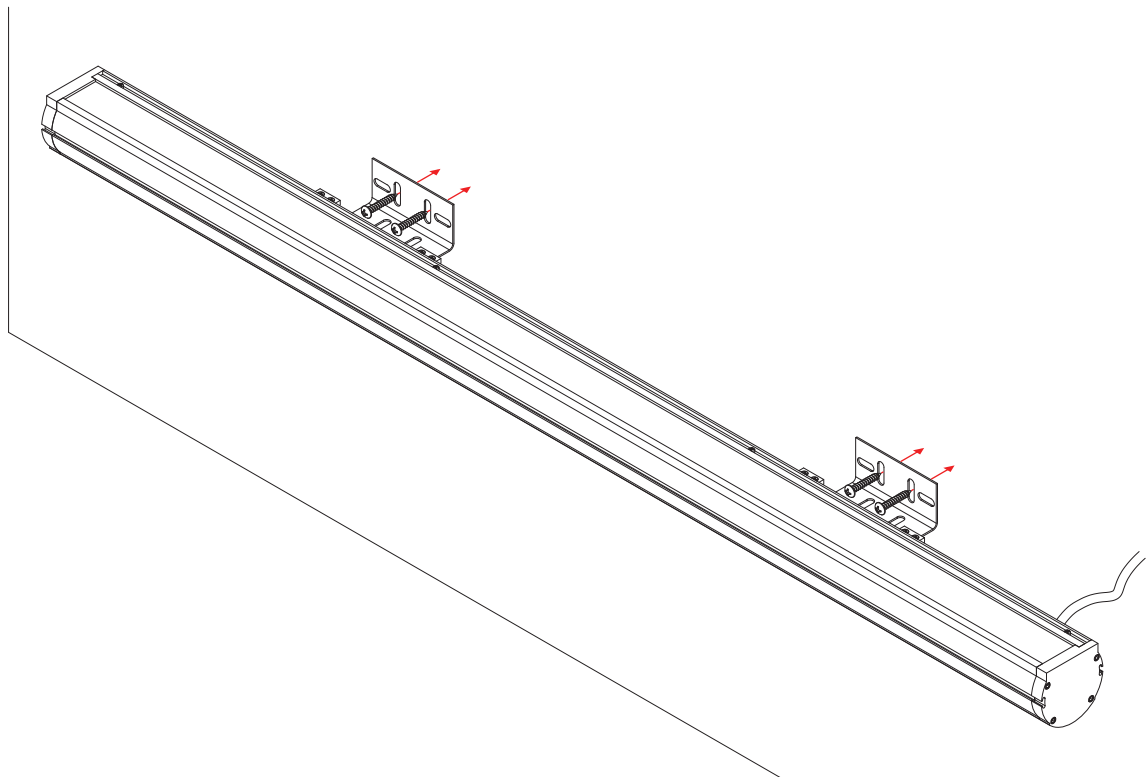
BACK VIEW

NOTE: Sliding Bracket may be removed to change direction.(See below)



2 MOUNT SLIDING BRACKET(S)

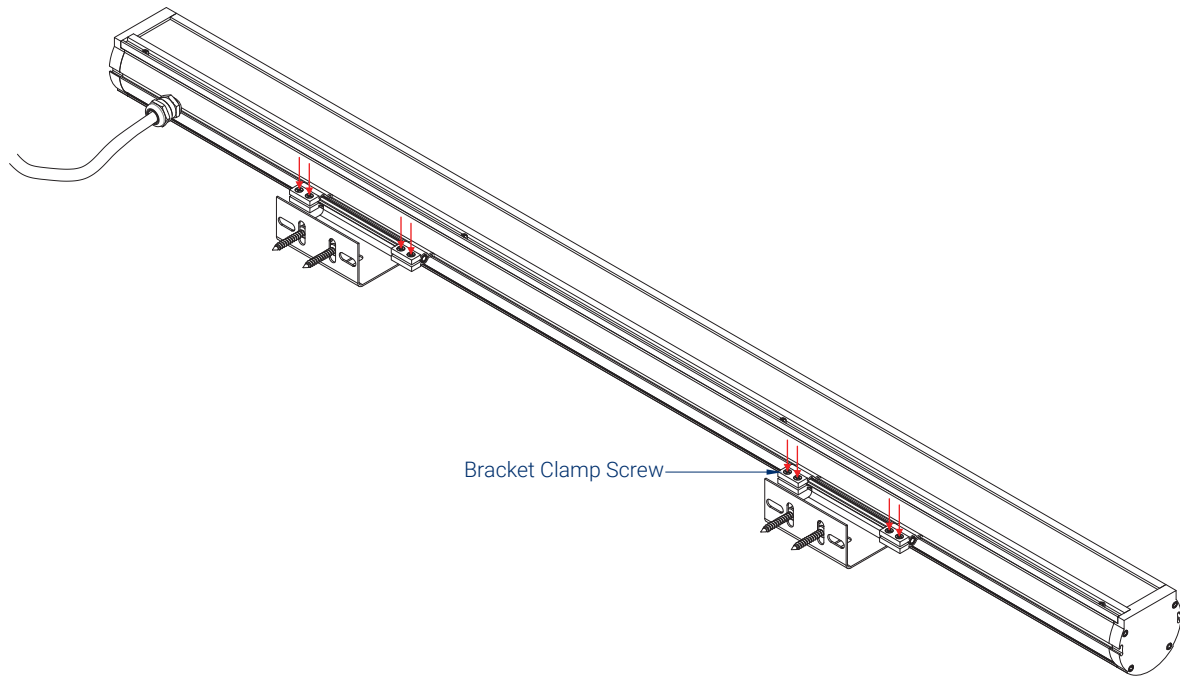
- MOUNT SLIDING BRACKET(S) TO DESIRED SURFACE BY INSERTING MOUNTING HARDWARE (BY OTHERS) THROUGH SLOTTED HOLES UNTIL SECURE.



FRONT VIEW

3 SECURE FIXTURE TO SLIDING BRACKET

- FASTEN BRACKET CLAMP SCREWS TO FIX FIXTURE INTO PLACE.
- TO ADJUST ANGLE, LOOSEN SCREWS AND ADJUST.



BACK VIEW