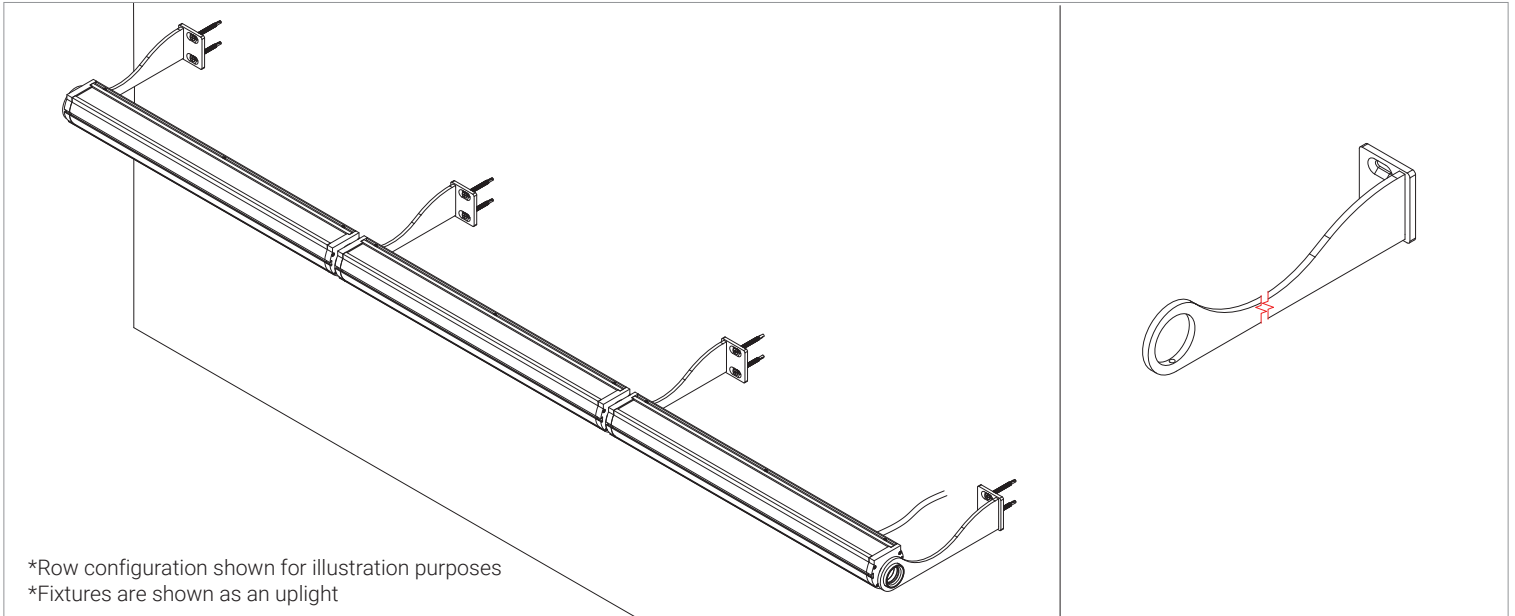




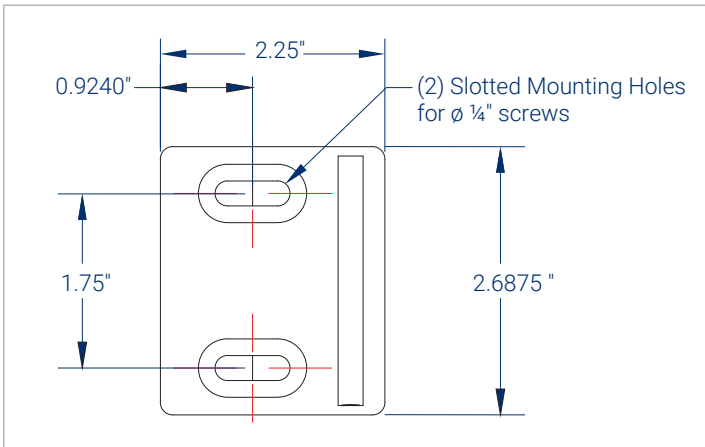
WARNING!

- READ THE PROVIDED INSTRUCTIONS PRIOR TO INSTALLING.
- INSTALLATION SHOULD BE CARRIED OUT BY QUALIFIED INSTALLERS.
- THE INSTALLER HAS THE FINAL RESPONSIBILITY FOR THE STRENGTH AND RIGIDITY OF THE WALL/CEILING STRUCTURE.
- A MINIMUM OF 2 PEOPLE REQUIRED WHEN INSTALLING LONG LENGTH FIXTURES.

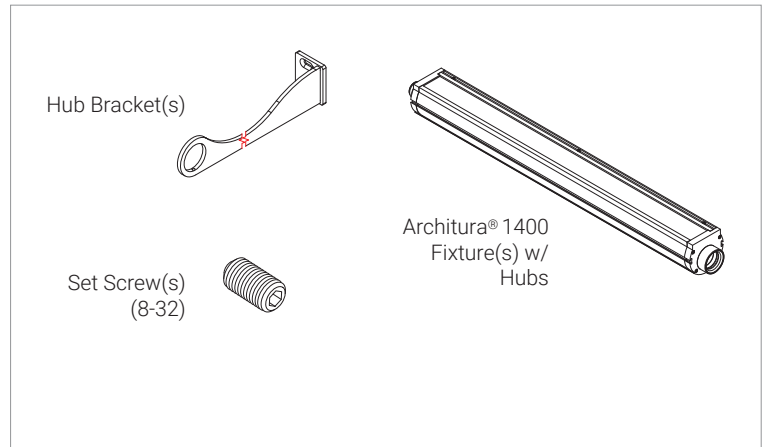


*Row configuration shown for illustration purposes
*Fixtures are shown as an upright

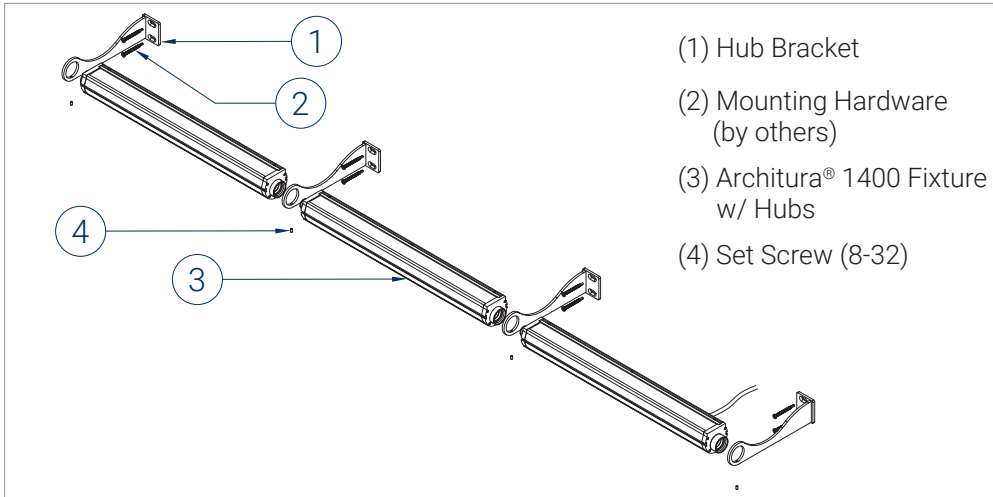
MOUNT DIMENSIONS



PACKAGE INCLUDES

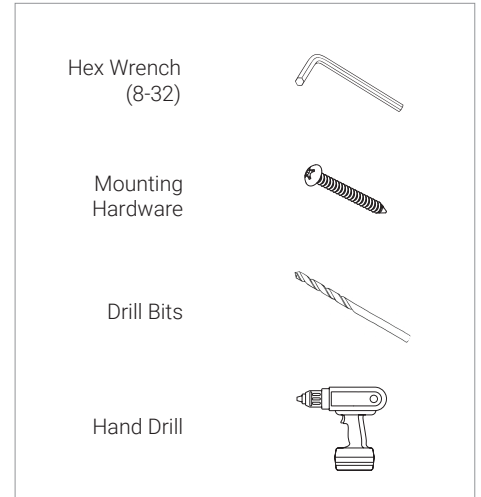


ISOMETRIC / EXPLODED VIEW



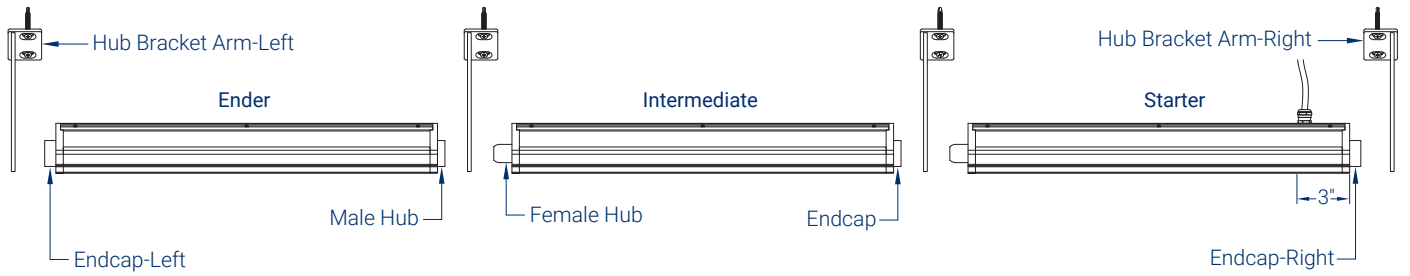
- (1) Hub Bracket
- (2) Mounting Hardware (by others)
- (3) Architura® 1400 Fixture w/ Hubs
- (4) Set Screw (8-32)

ITEMS NEEDED (BY OTHERS)

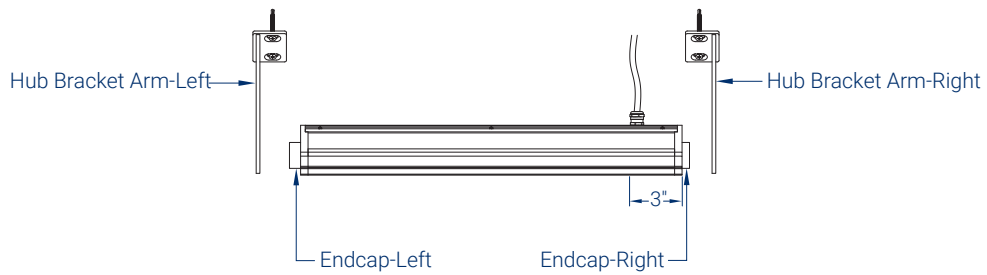


HUB MOUNTING COMPONENT OVERVIEW

Row Example

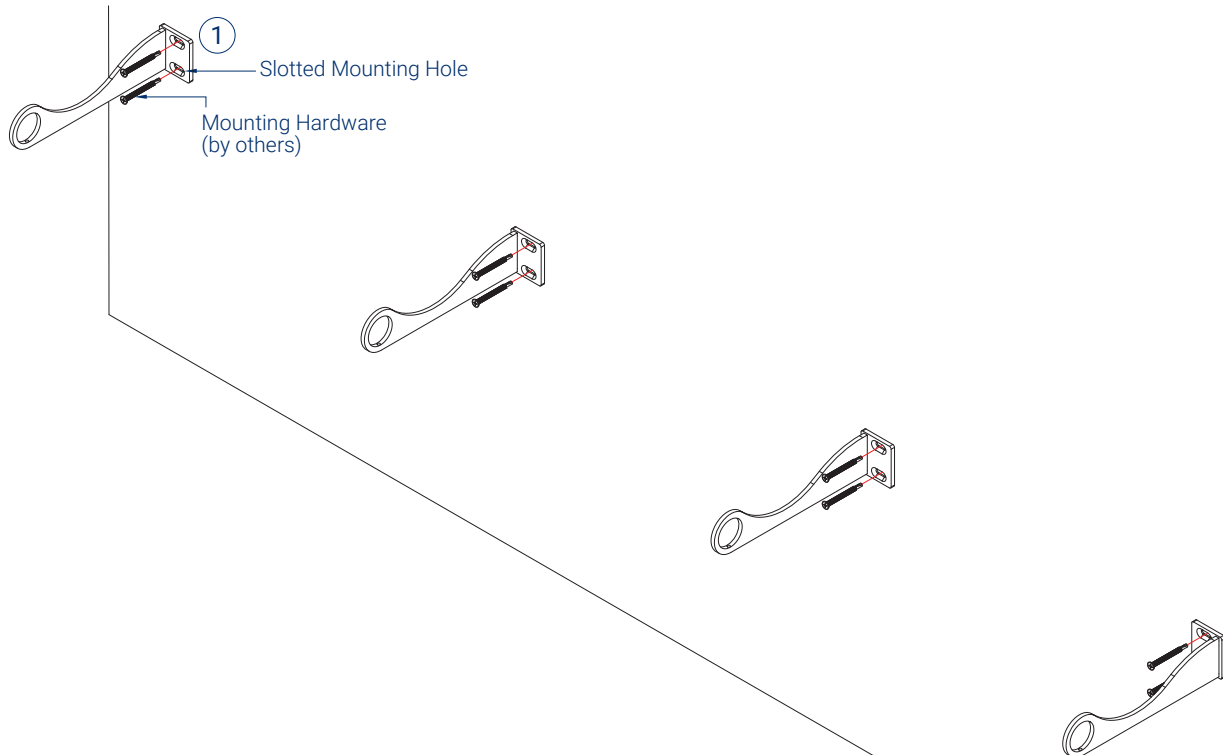


Single Example



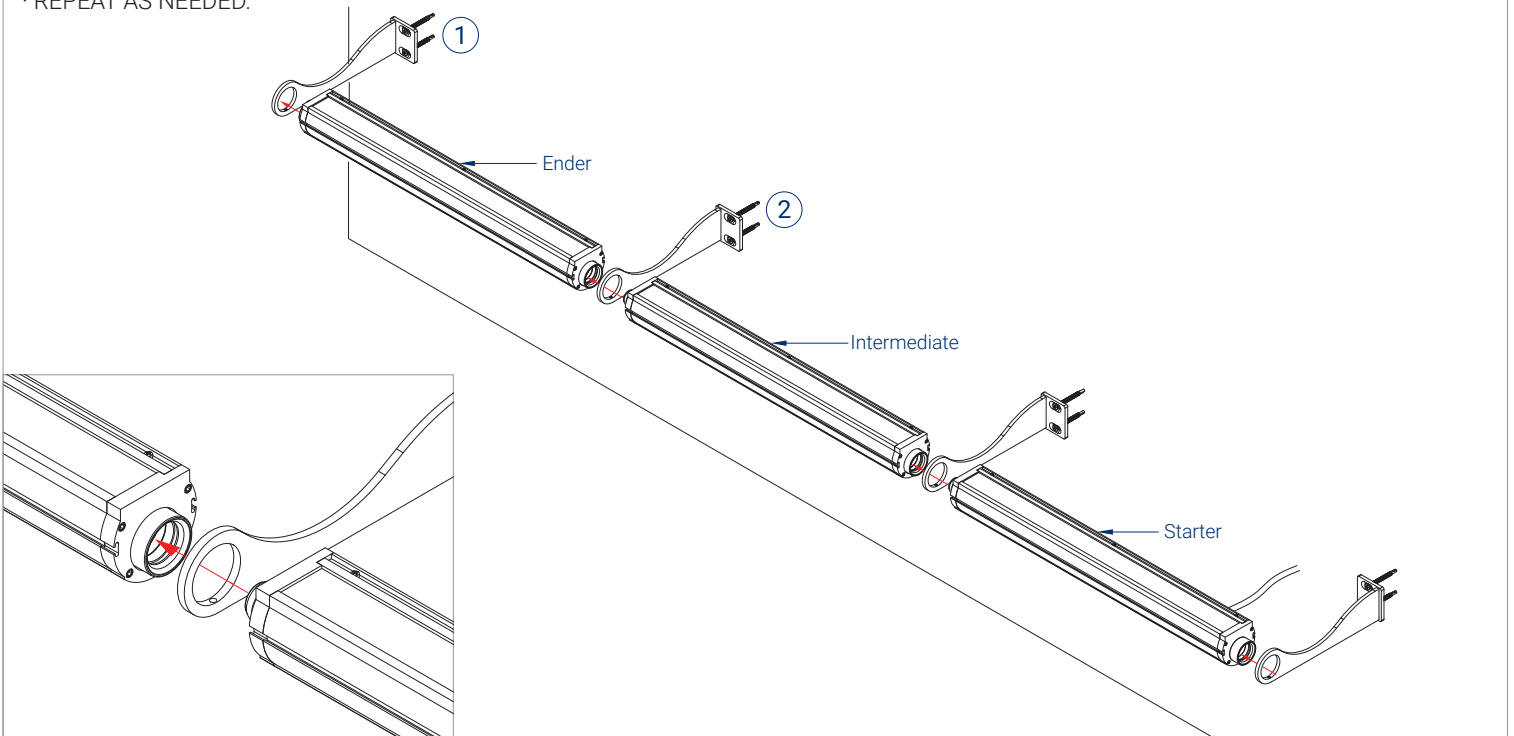
1 MOUNT HUB BRACKETS ONTO SURFACE WITH RECOMMENDED SPACING.

- INSERT MOUNTING HARDWARE LOOSELY THROUGH THE SLOTTED MOUNTING HOLES ONTO DESIRED SURFACE, STARTING WITH (1).
- CURVE SHOULD FACE THE SAME DIRECTION OF LIGHT.



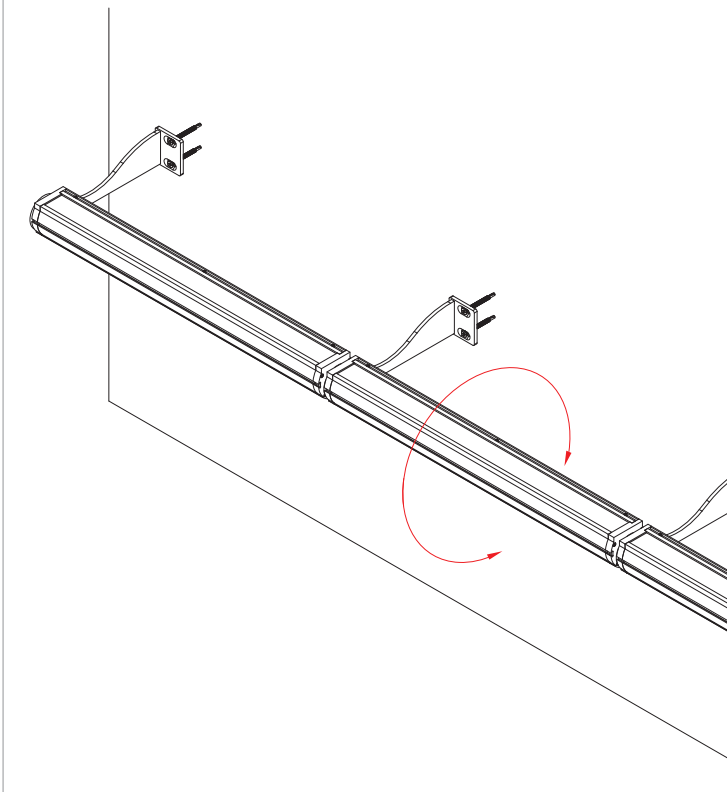
2 MOUNT FIXTURES

- MOUNT FIXTURES TO HUB BRACKETS ONE AT A TIME, STARTING WITH ENDER FIXTURE INTO HUB BRACKET(1).
- FIX HUB BRACKET (1) INTO SURFACE SO IT DOES NOT SLIDE BY SECURING SCREWS.
- AFTER INSERTING FIXTURE TO (1), SLIDE THE HUB BRACKET (2) TO SECURE THE FIXTURE. SECURE SCREWS ON HUB BRACKET(2).
- REPEAT AS NEEDED.



3 SELECT DESIRED ANGLE

- ROTATE FIXTURES TO DESIRED ANGLE AND ORIENTATION.



4 SECURE FIXTURE ANGLE

- SECURE FIXTURE ANGLE BY INSERTING AND LOCKING SET SCREWS.

