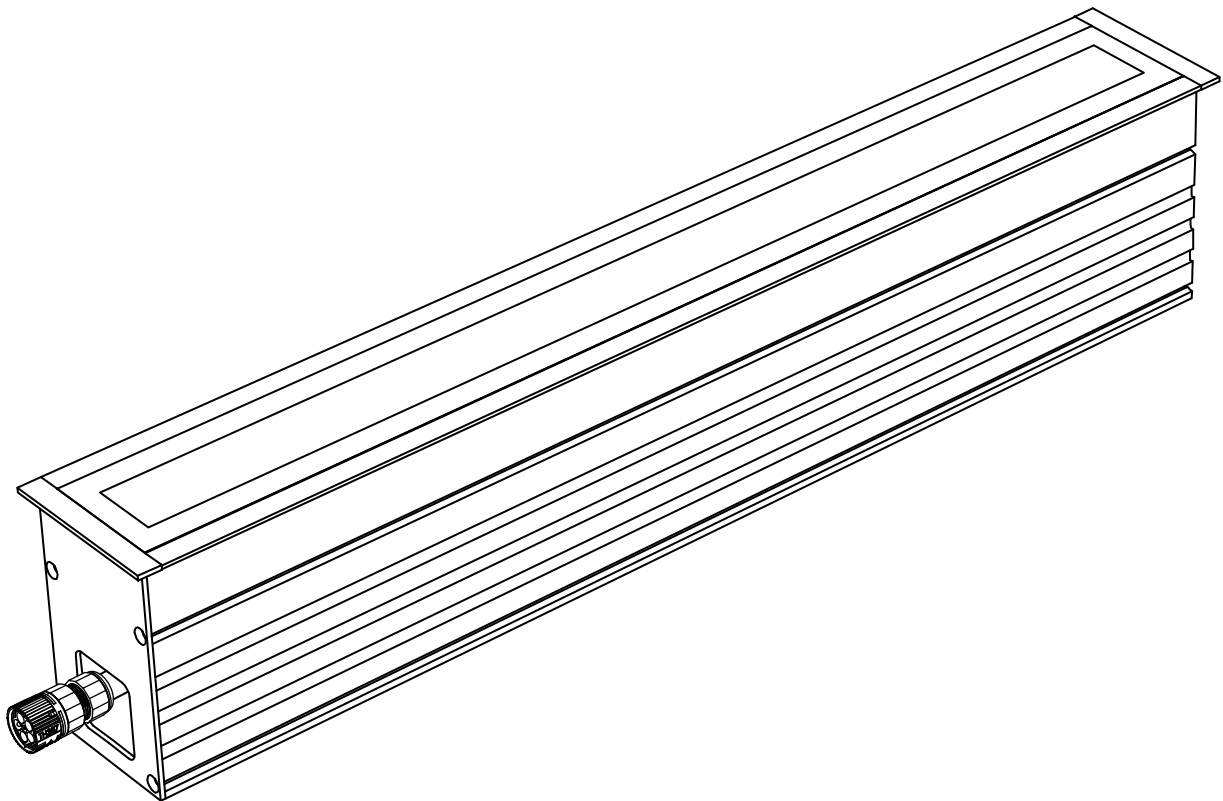


Gulfstream2®

Inground Wallwash



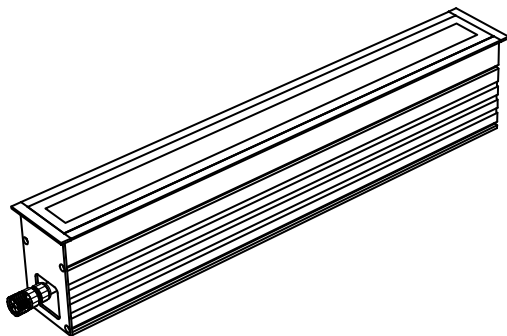
CONTENTS

V1.2

1. INTRODUCTION
2. WIRING EXAMPLE
3. INSTALLATION INSTRUCTIONS
4. OPTIONAL INSTALLATION

Gulfstream2®

Inground Wallwash



Input: AC 120-277V
 Housing: Anodized Aluminum
 Lens: Tempered Glass
 Protection Class: IP68 / IK10
 Operation Temperature: -22°F to +122°F
 Control Option: DMX/RDM, 0-10V, DALI

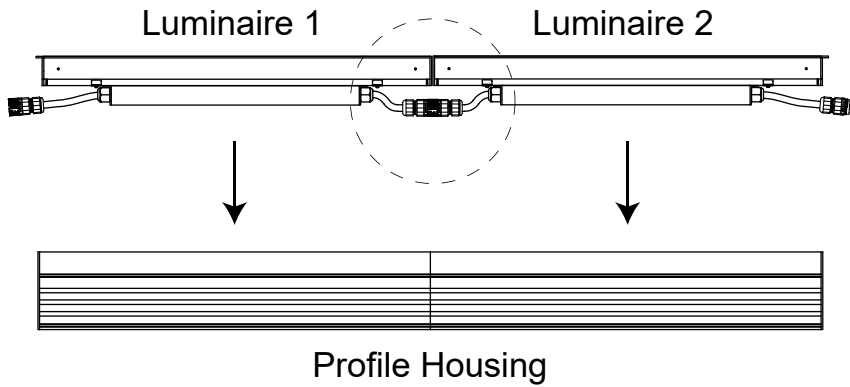
Designed specifically to wallwash the façade not only with its powerful LEDs but also with its optical options such as asymmetric and wide optics and micro louver to prevent glare. It has excellent durability to ensure stable operation in any installation environment and IP68 rated certification and IK10 certification that can withstand strong external shocks with harsh weather outdoor conditions. Various and optimized lighting operations are possible by applying lighting fixtures and blank covers on buried section as desired.

| | | | | | |
|--|--|-------------|--------------------------------|--------------|--------------------------------|
| | <p>Effective structure for thermal radiation</p> | <p>IP68</p> | <p>Ingress protection IP68</p> | <p>IK 10</p> | <p>Impact resistance IK 10</p> |
| | <p>Selectable options for Dimming system</p> | | <p>Effective Glare control</p> | | <p>Secondary optic options</p> |

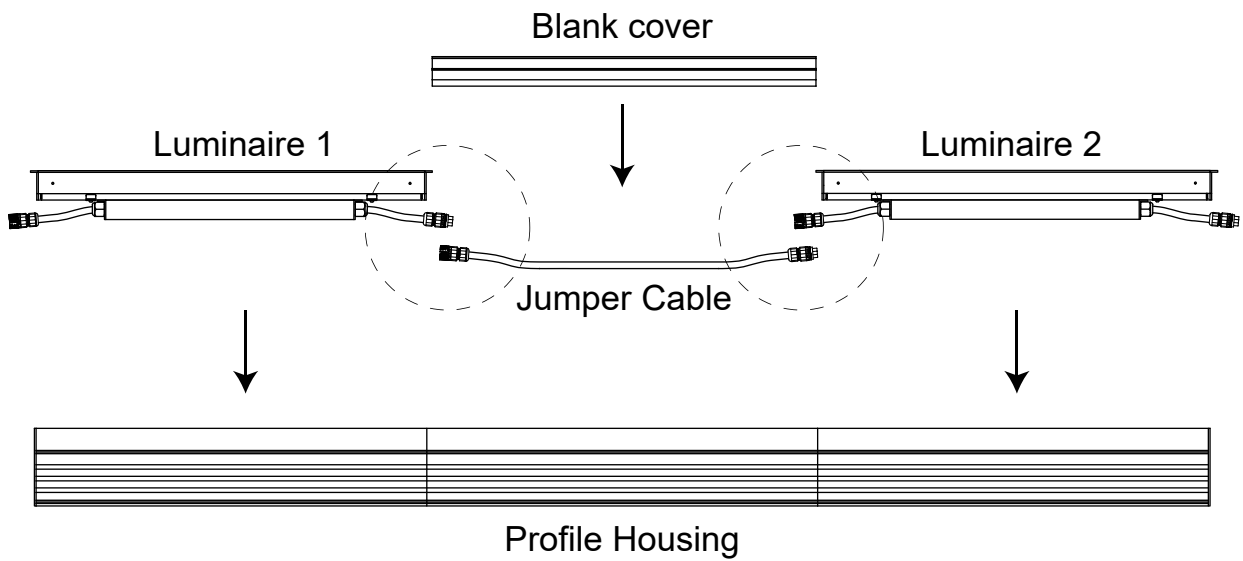
WIRING EXAMPLE

V1.2

1) Luminaire to Luminaire - Direct connection



2) Luminaire to Luminaire - Extended connection



PRECAUTIONS

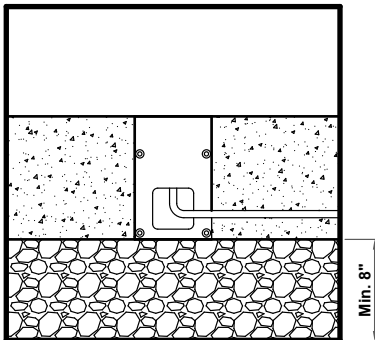
V1.2



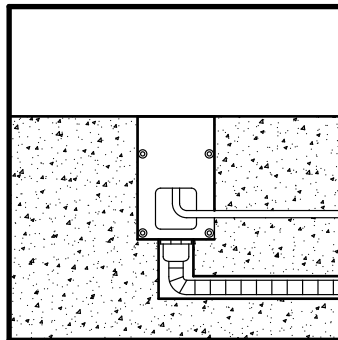
Be sure to check and follow the precautions before installation

1. Never install with power applied.
2. Do not apply excessive force to the products and accessories when installing
3. Do not install on high humidity days due to rain, snow, fog, etc.
4. Always keep the space where the luminaires are installed clean.
5. The bottom of the installation space should always be prepared with gravel for drainage *(A).
6. If it is difficult to set gravel layer for drainage, a different drainage method must be discussed *(B).
7. Make sure that the drainage system is working properly before installing the luminaire *(C).
8. The installation site must be level with the top of the light fixture *(D).

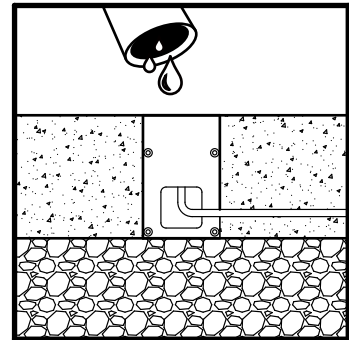
A



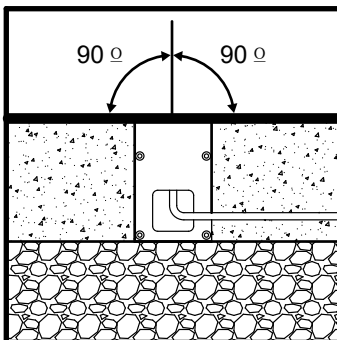
B



C



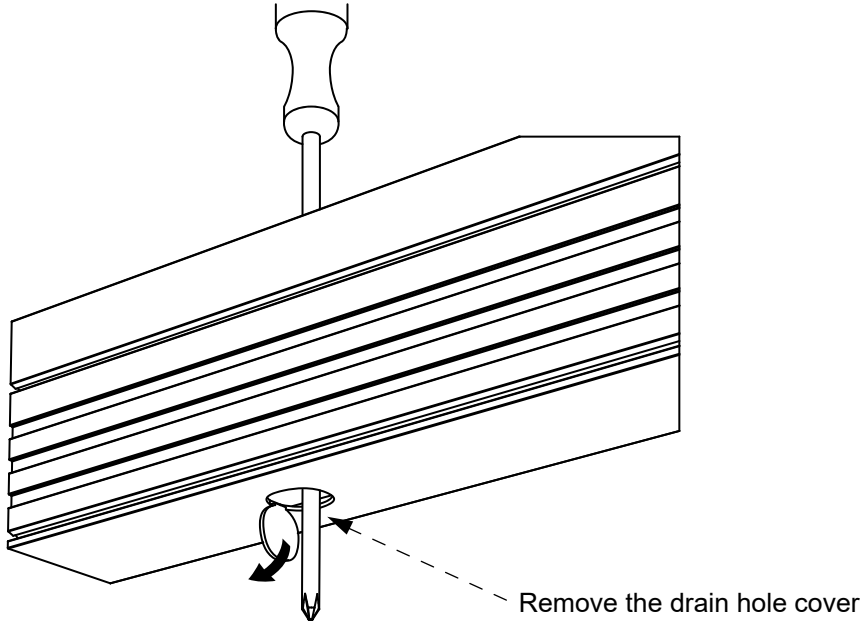
D



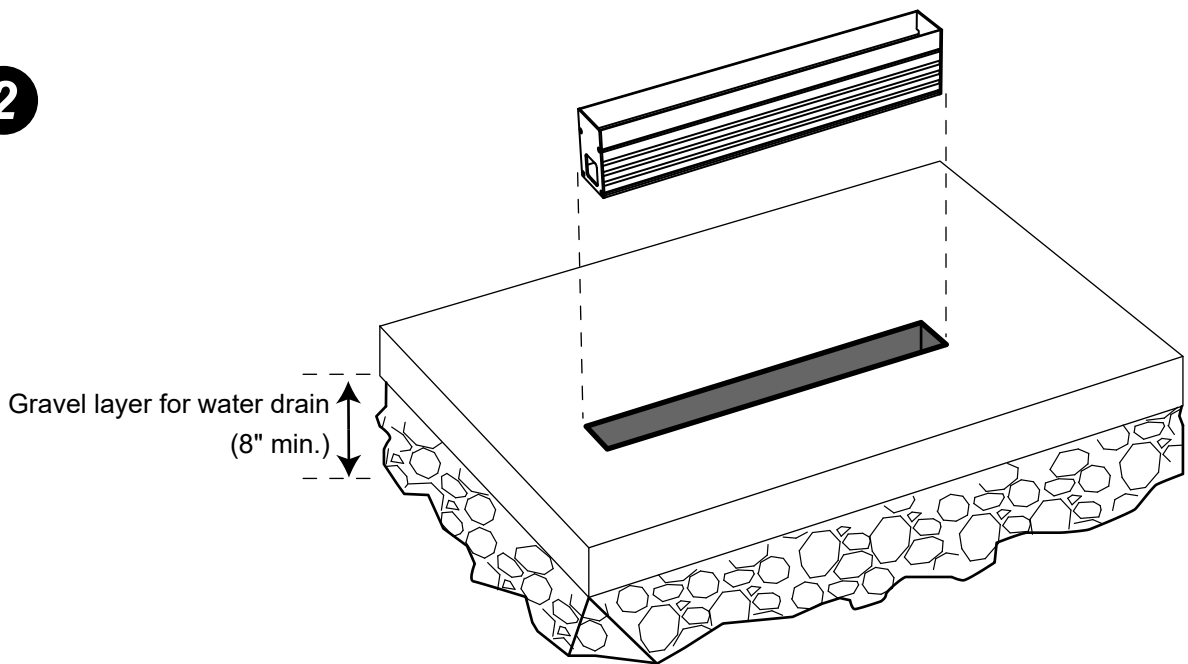
DRAINAGE SYSTEM - STANDARD

V1.2

1



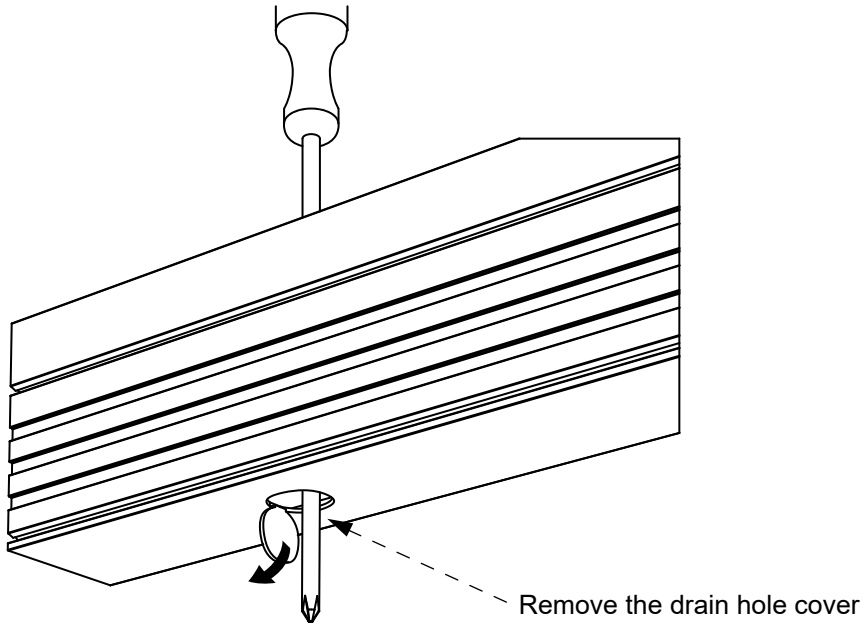
2



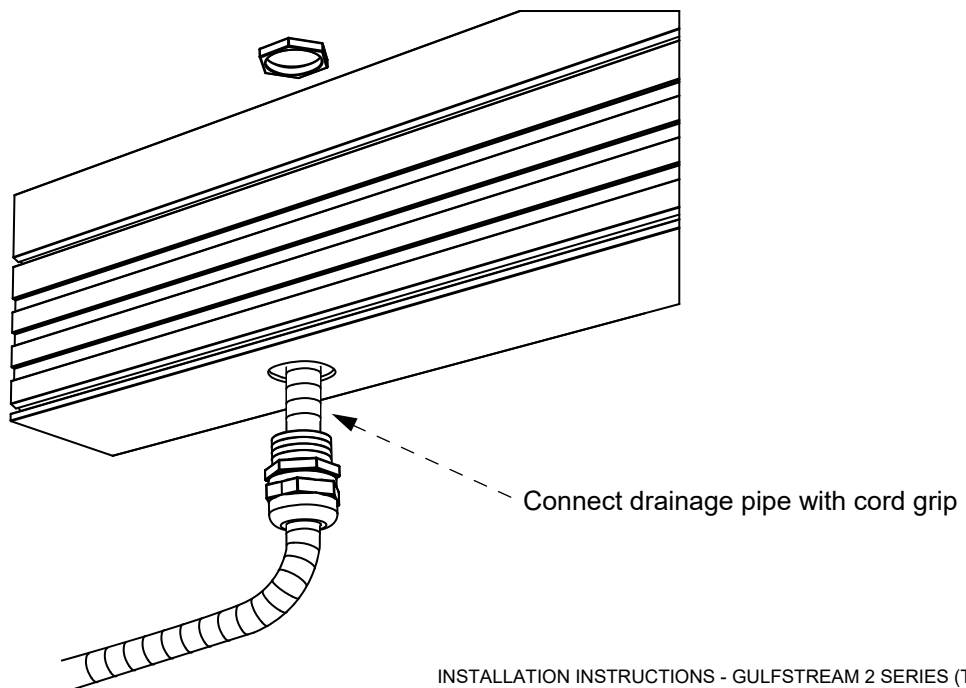
DRAINAGE SYSTEM - DRAINAGE PIPE

V1.2

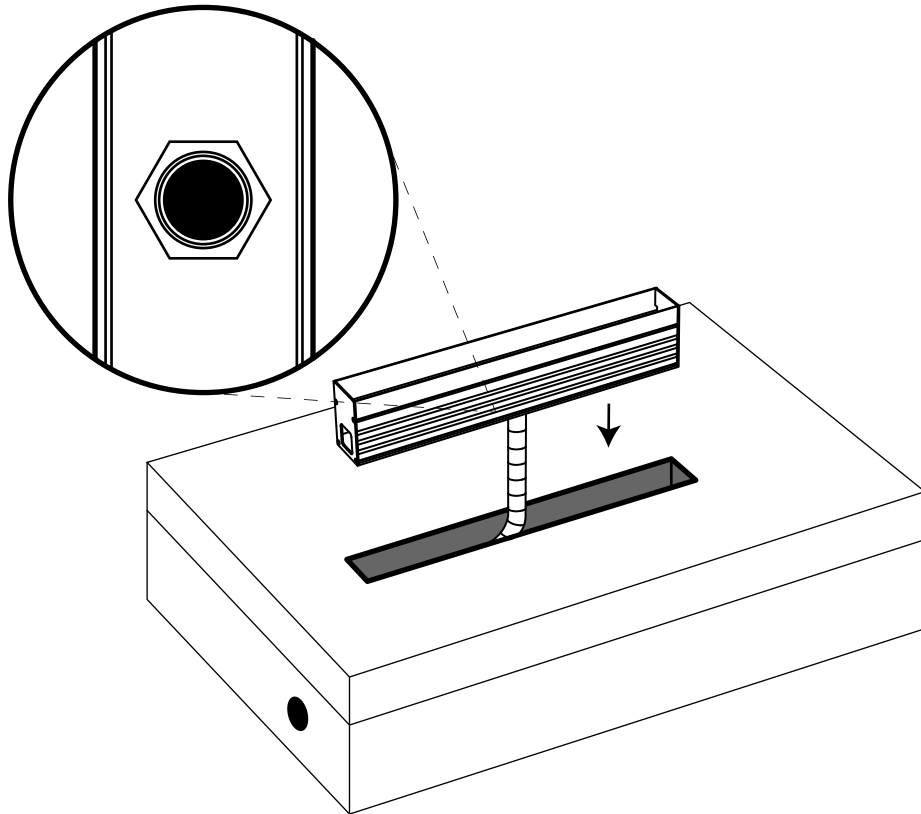
1



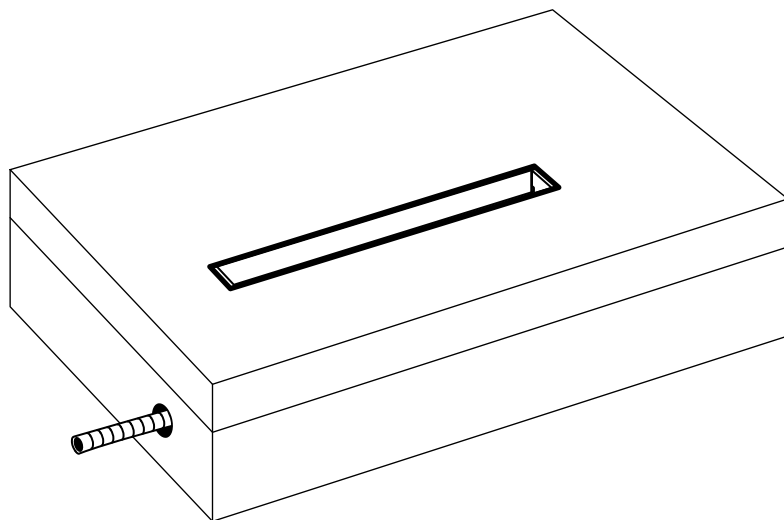
2



3



4



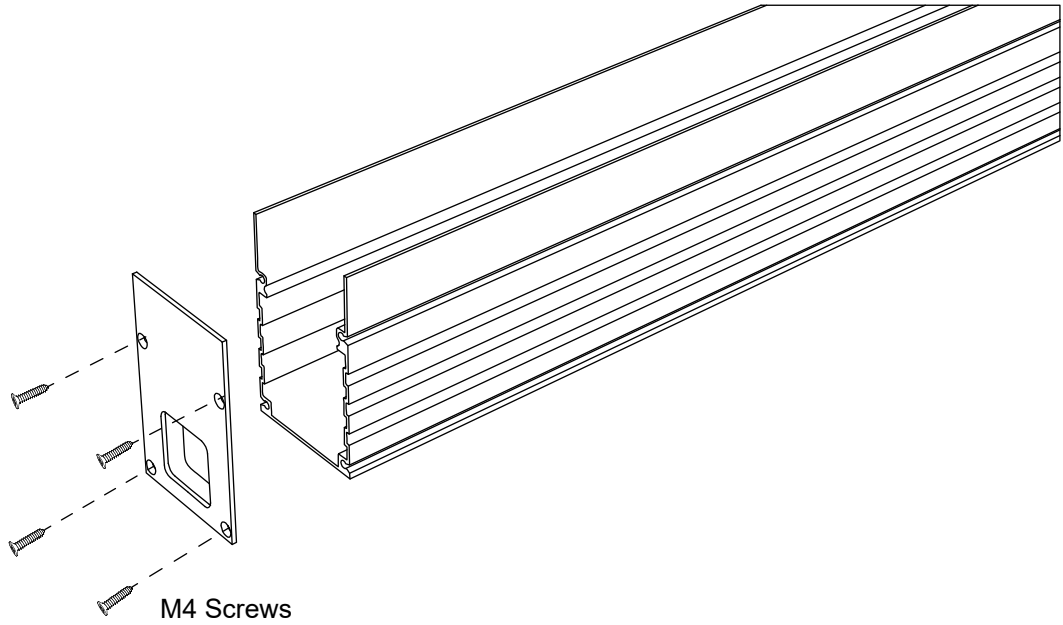
INSTALLATION INSTRUCTIONS

V1.2

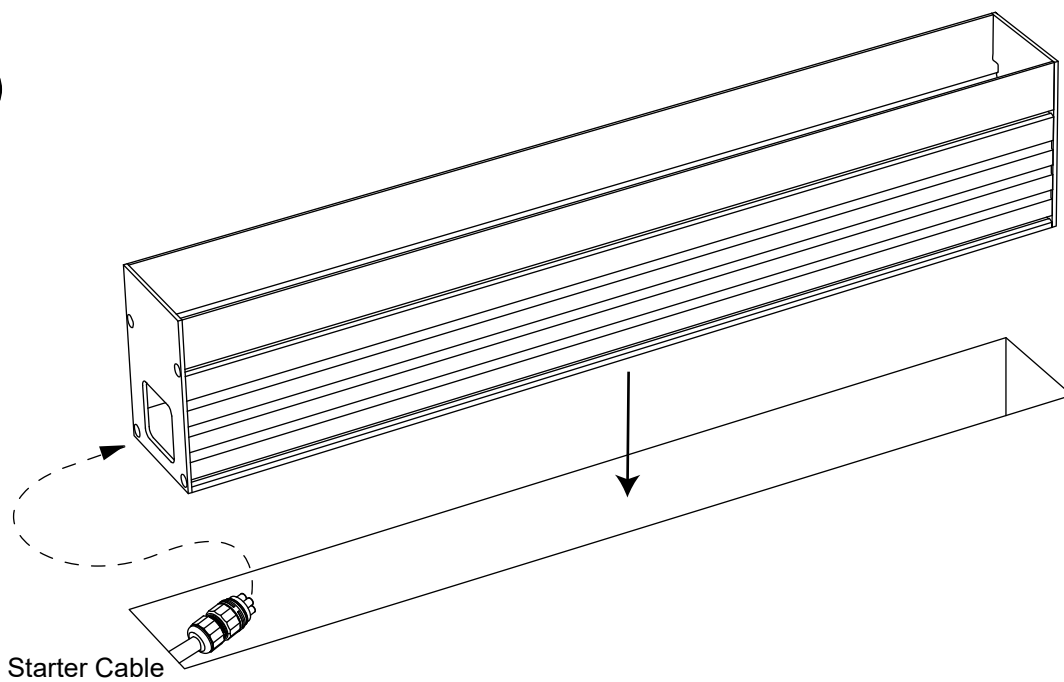


Make sure that the power is off before starting installation.

1



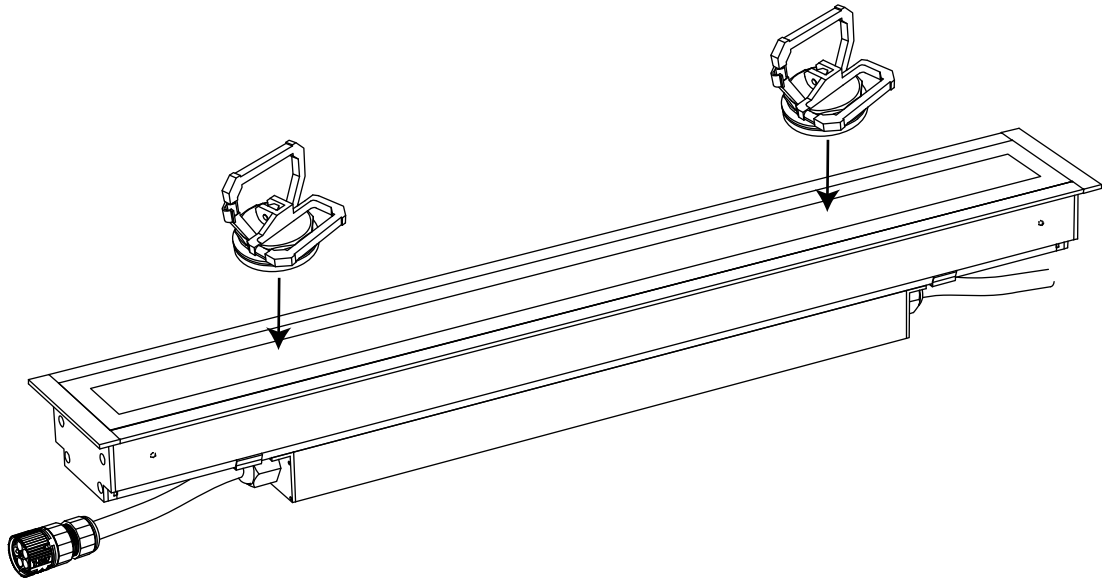
2



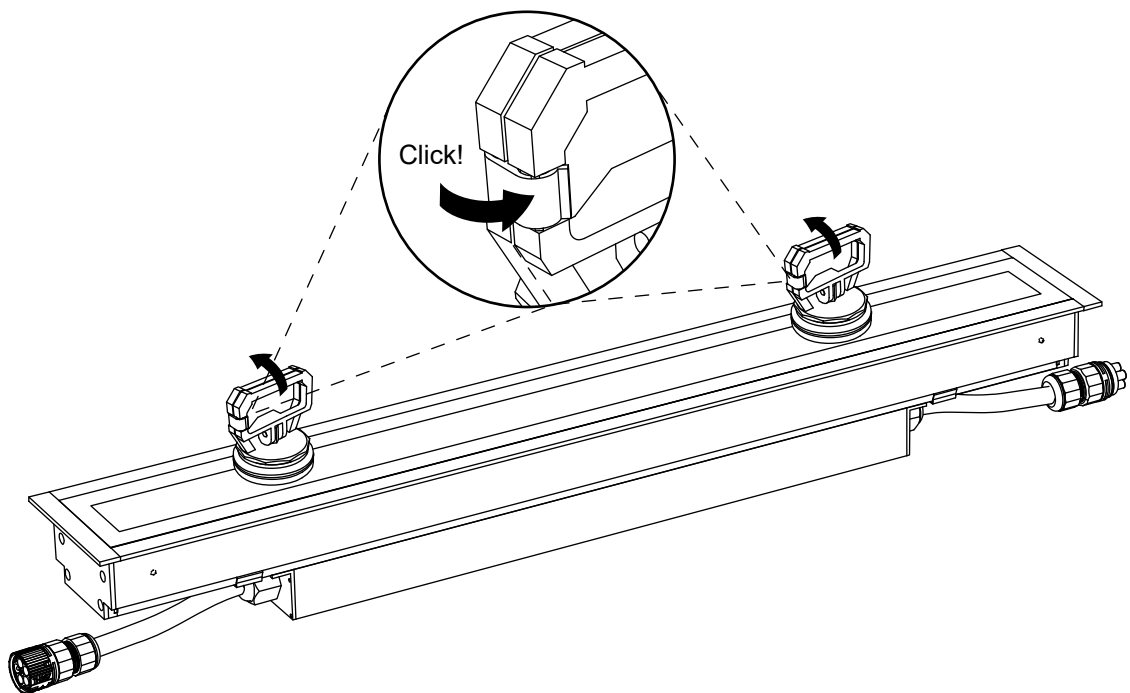
INSTALLATION INSTRUCTIONS

V1.2

3



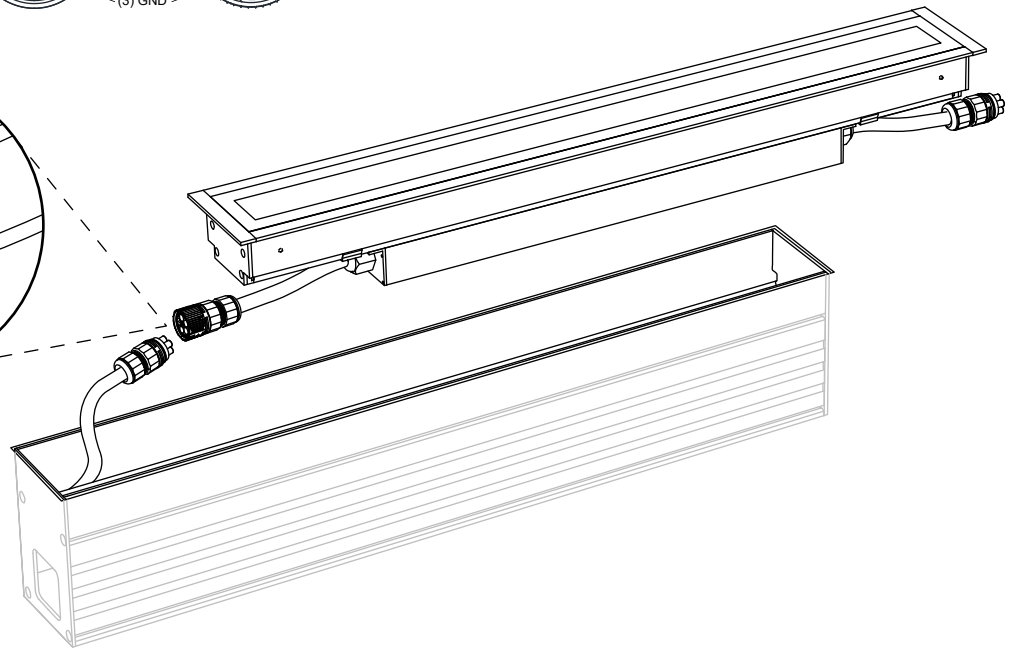
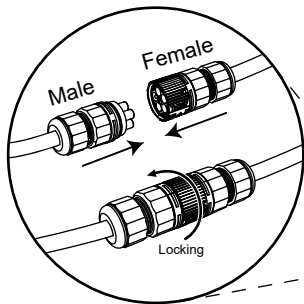
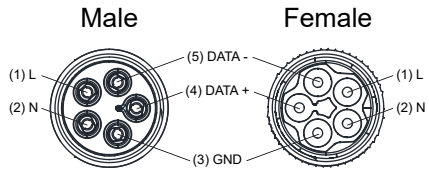
4



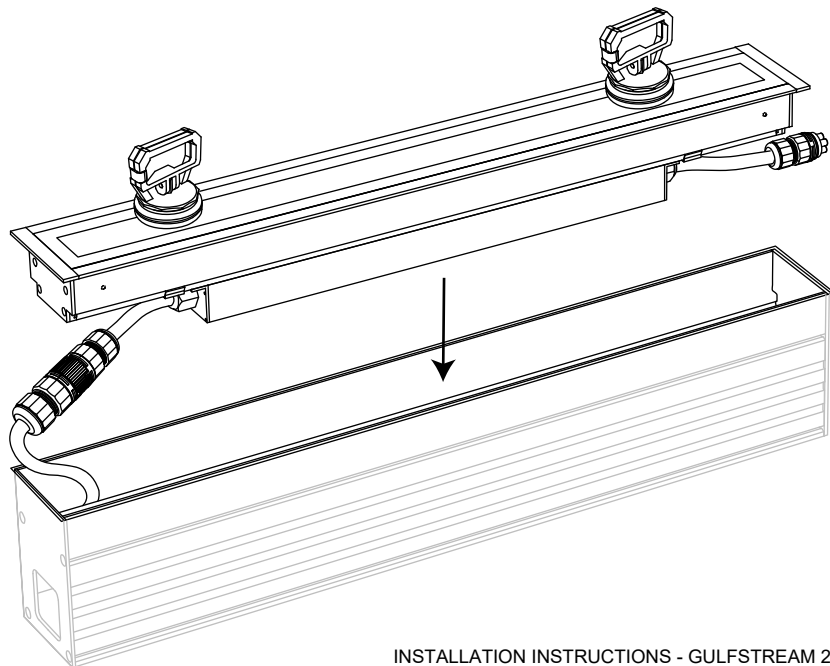
INSTALLATION INSTRUCTIONS

V1.2

5

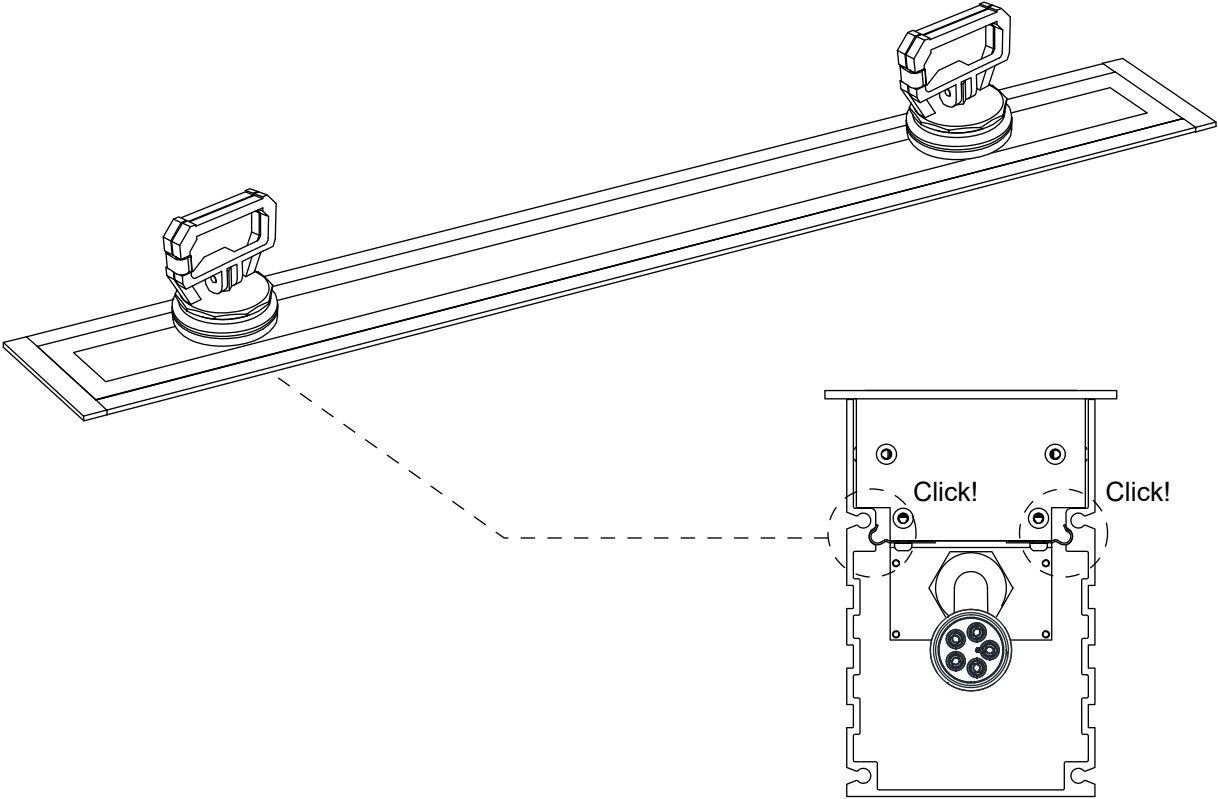


6

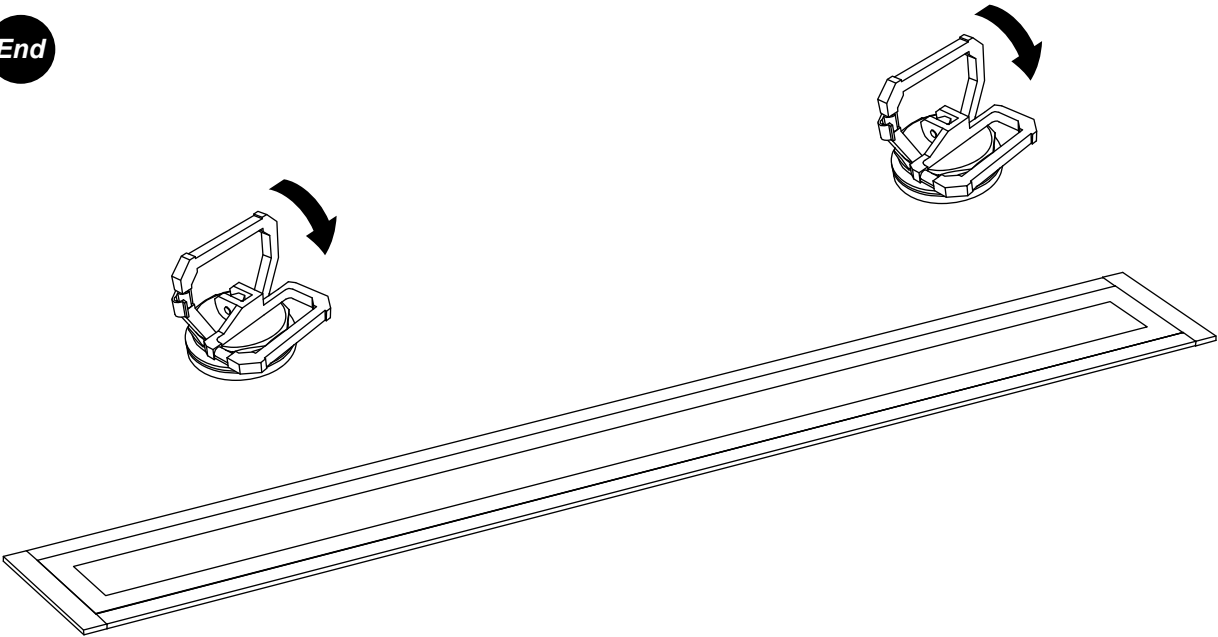


INSTALLATION INSTRUCTIONS

7



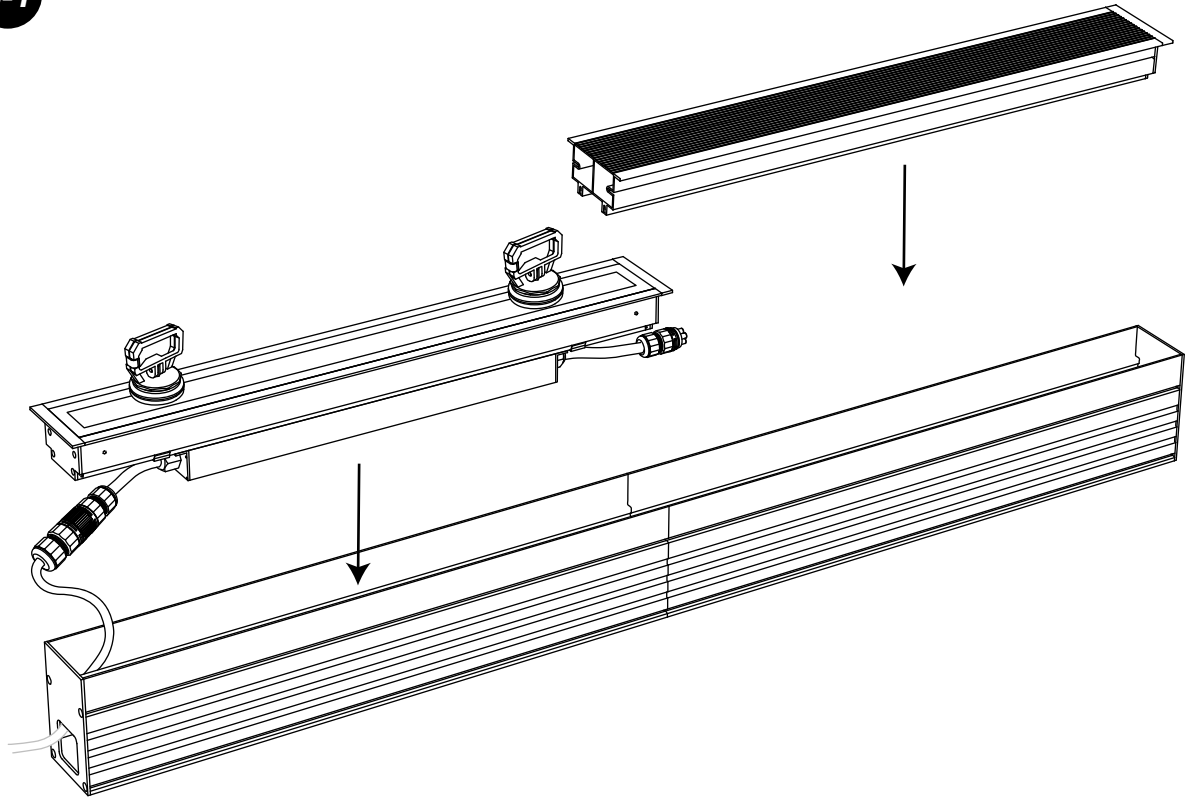
End



OPTIONAL INSTALLATION - BLANK COVER

V1.2

6-1



End

