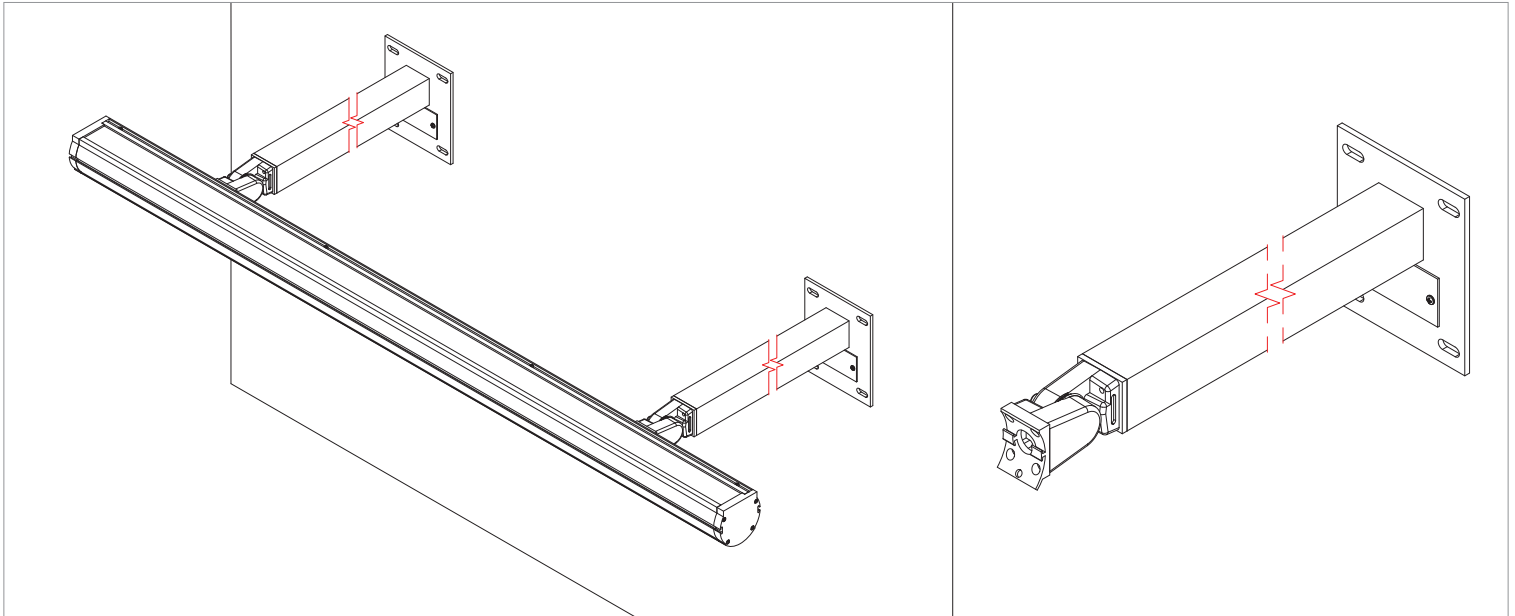


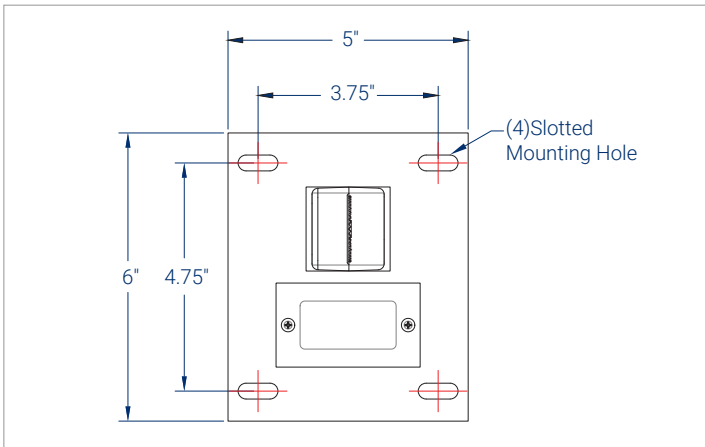


WARNING!

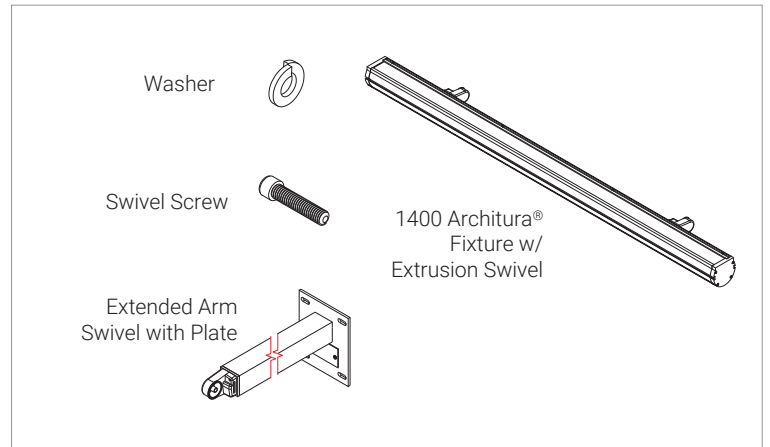
- READ THE PROVIDED INSTRUCTIONS PRIOR TO INSTALLING.
- INSTALLATION SHOULD BE CARRIED OUT BY QUALIFIED INSTALLERS.
- THE INSTALLER HAS THE FINAL RESPONSIBILITY FOR THE STRENGTH AND RIGIDITY OF THE WALL/CEILING STRUCTURE.
- A MINIMUM OF 2 PEOPLE REQUIRED WHEN INSTALLING LONG LENGTH FIXTURES.



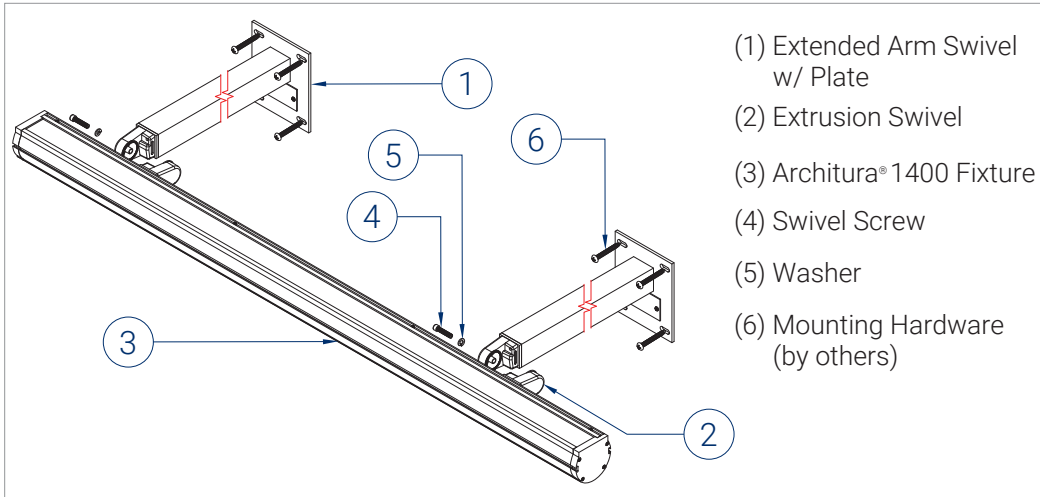
MOUNT DIMENSIONS



PACKAGE INCLUDES

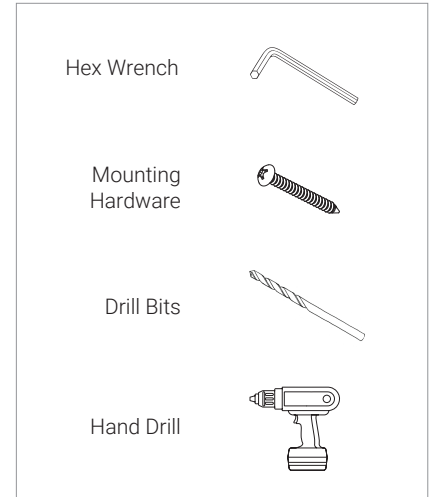


ISOMETRIC / EXPLODED VIEW



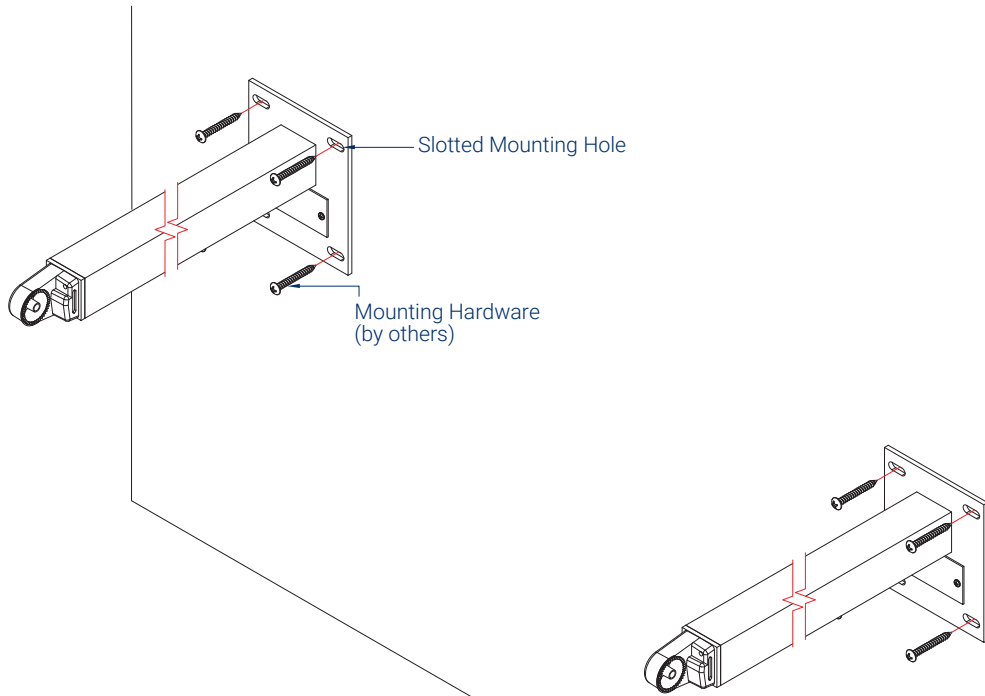
- (1) Extended Arm Swivel w/ Plate
- (2) Extrusion Swivel
- (3) Architura® 1400 Fixture
- (4) Swivel Screw
- (5) Washer
- (6) Mounting Hardware (by others)

ITEMS NEEDED (BY OTHERS)



1 MOUNT EXTENDED ARM SWIVEL PLATE TO SURFACE

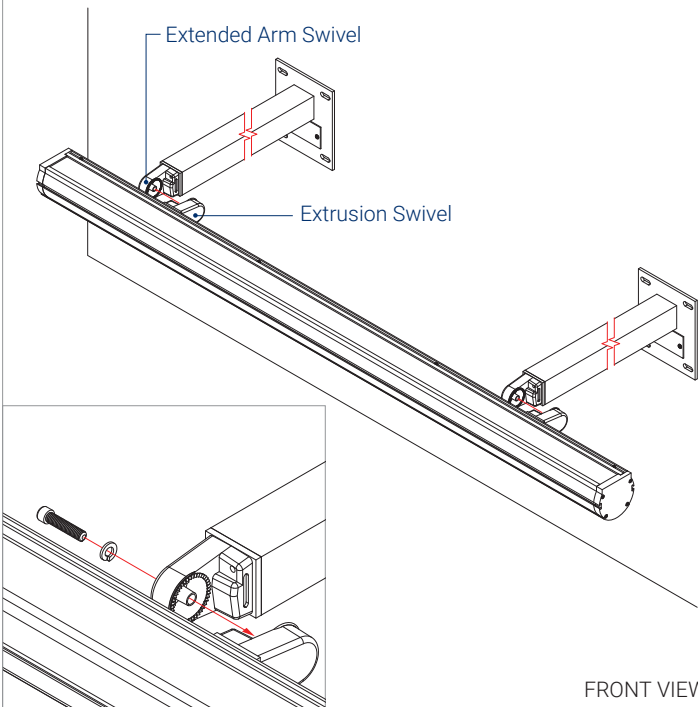
- INSERT MOUNTING HARDWARE THROUGH THE SLOTTED MOUNTING HOLES ONTO DESIRED SURFACE UNTIL SECURE.



FRONT VIEW

2 ATTACH SWIVEL

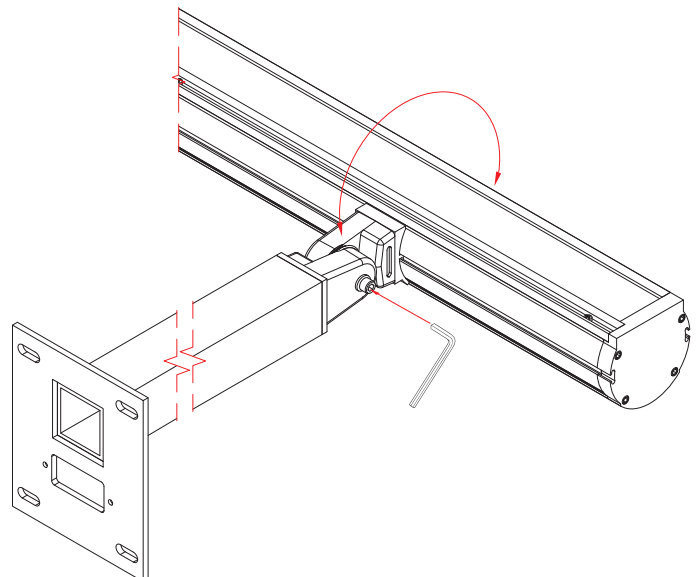
- ATTACH EXTRUSION SWIVEL ONTO EXTENDED ARM SWIVEL.
- USE THE SWIVEL SCREWS AND WASHERS TO LOOSELY ATTACH THE MOUNTS TOGETHER.
- THE WASHER PRECEDES THE SCREW (SEE ILLUSTRATION).



FRONT VIEW

3 SELECT DESIRED ANGLE

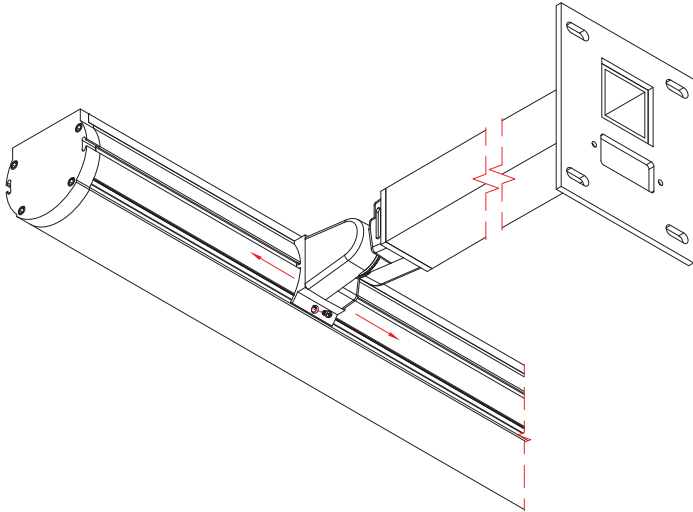
- ROTATE AND TILT THE FIXTURE INTO DESIRED DEGREE ANGLE AND TIGHTEN SWIVEL SCREWS.
- SEE STEP #5 TO ENSURE THAT YOU CAN LOCK THE BRACKET INTO PLACE BEFORE SECURING.



TOP BACK VIEW

4 FIX POSITIONING

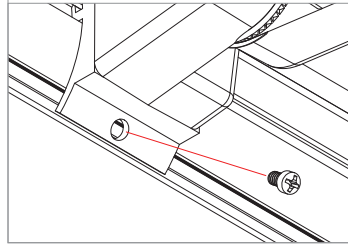
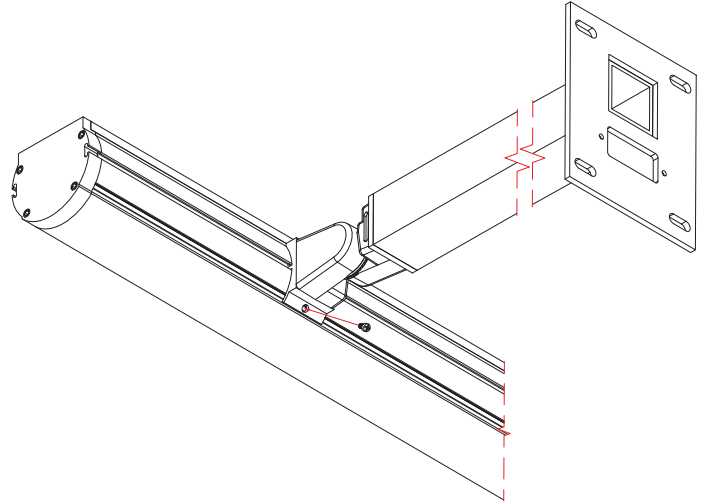
- LOOSEN SCREW FROM EXTRUSION SWIVEL.
- SLIDE FIXTURE TO DESIRED SPACING OR DISTANCE.



BACK VIEW

5 SECURE FIXTURES

- SECURE SCREW ON SLIDING BRACKET FROM EXTRUSION SWIVEL TO LOCK THE FIXTURE IN PLACE.



BACK VIEW