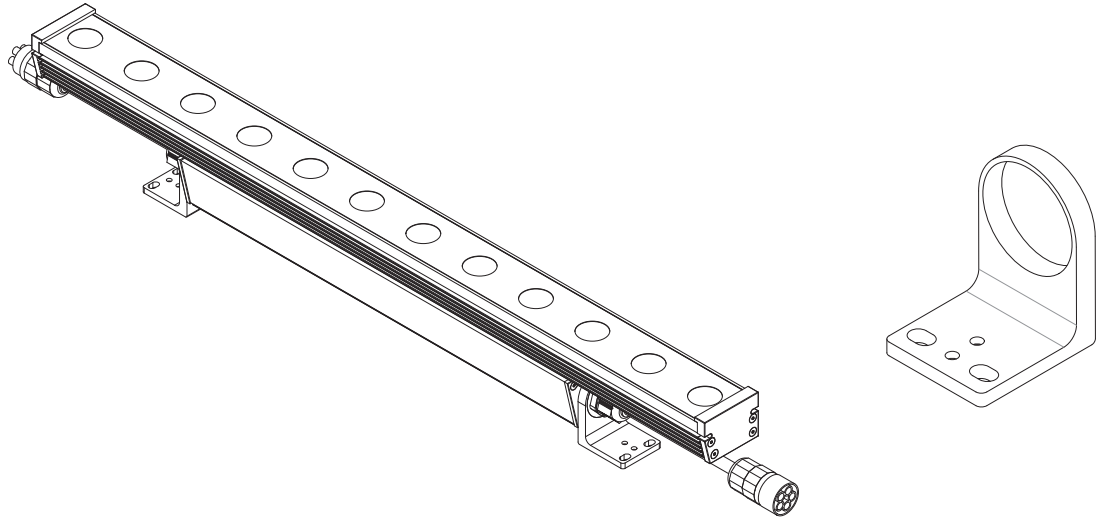




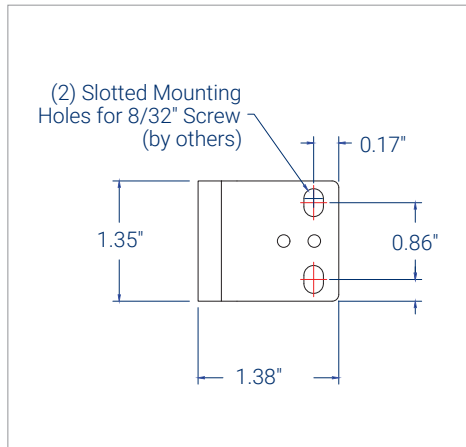
WARNING!

- READ THE PROVIDED INSTRUCTIONS PRIOR TO INSTALLING.
- INSTALLATION SHOULD BE CARRIED OUT BY QUALIFIED INSTALLERS.
- THE INSTALLER HAS THE FINAL RESPONSIBILITY FOR THE STRENGTH AND RIGIDITY OF THE WALL/CEILING STRUCTURE.
- A MINIMUM OF 2 PEOPLE REQUIRED WHEN INSTALLING LONG LENGTH FIXTURES.



LUMINAIRE SHOWN AS AN UPLIGHT

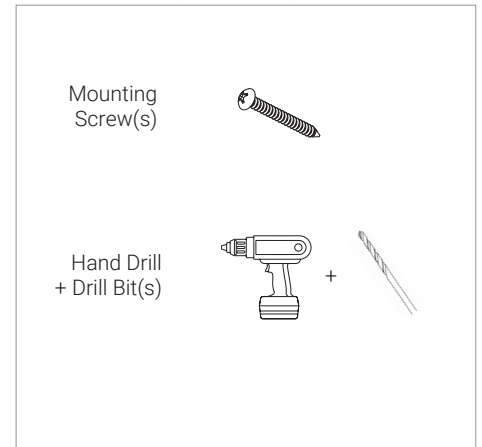
MOUNT DIMENSIONS



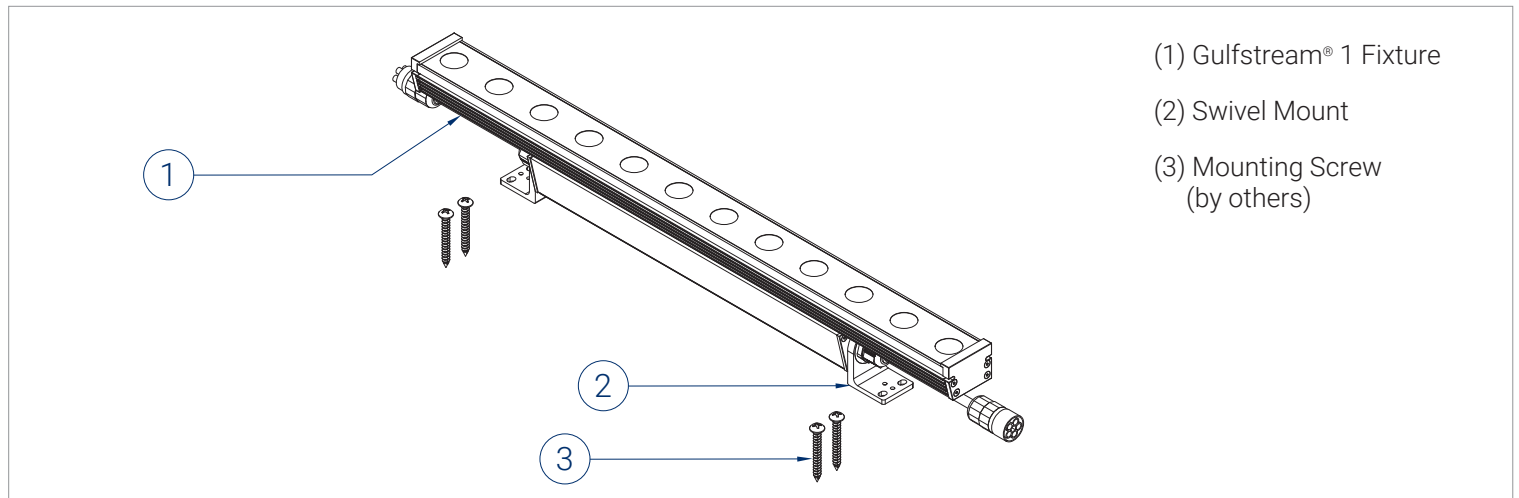
PACKAGE INCLUDES



ITEMS NEEDED (BY OTHERS)

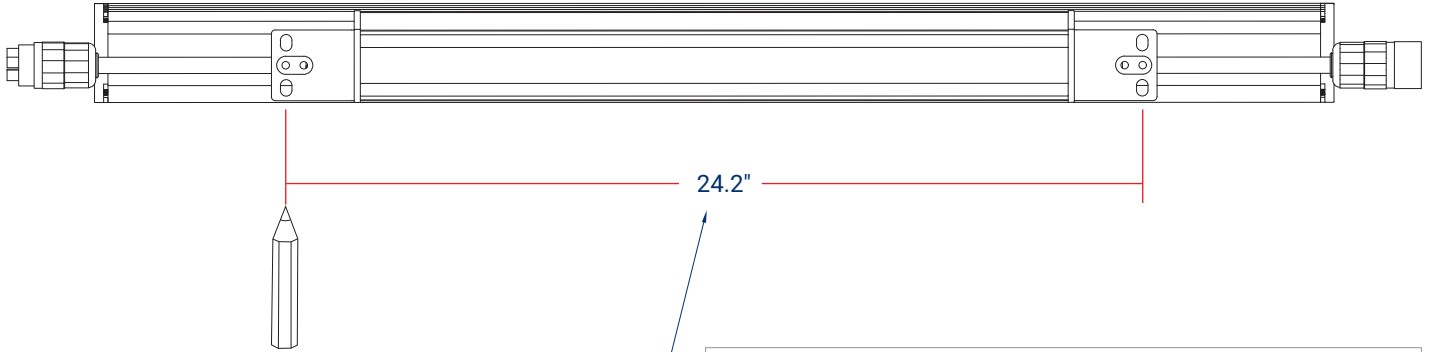


ISOMETRIC / EXPLODED VIEW



## 1 MEASURE AND MARK

MEASURE AND MARK THE SURFACE ACCORDING TO THE "FIXTURE MOUNTING SPECIFICATIONS" CHART (BELOW) TO ENSURE ACCURATE PLACEMENT OF SWIVEL MOUNT(S).

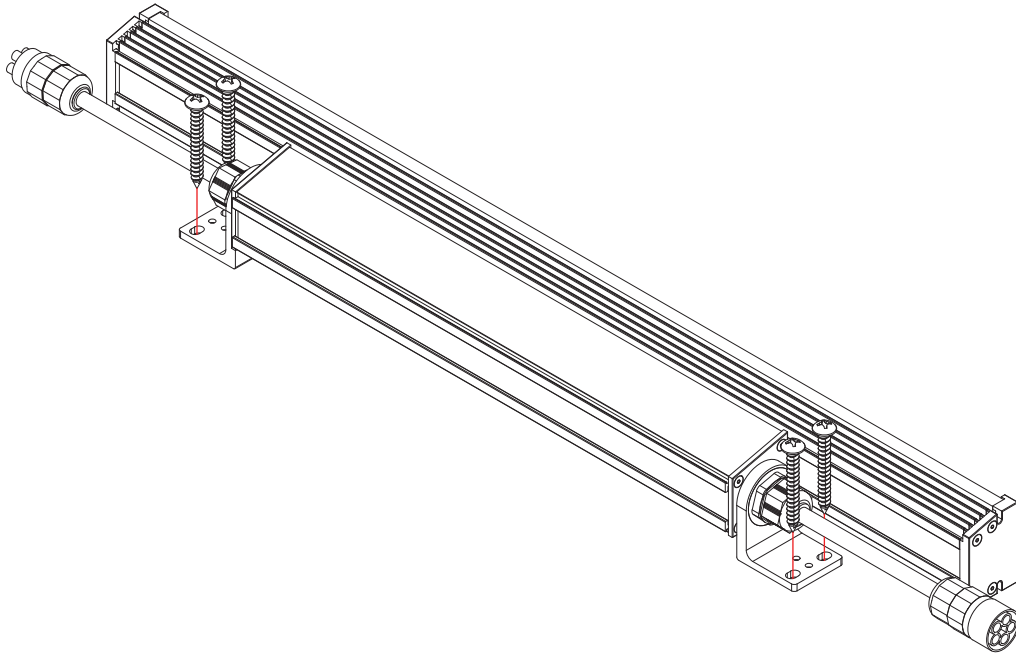


**Example:** 4' (nom) Fixture = 24.2" marked from center lines of mounting holes of Swivel Mount(s).

FIXTURE MOUNTING SPECIFICATIONS	
Fixture Length (Nom)	Mounting Length ( from center line of mounting holes)
1'	11.2"
2'	16.3"
3'	20.3"
4'	24.2"

## 2 MOUNT SWIVEL(S)

TILT THE FIXTURE DIRECTION PERPENDICULAR TO THE SURFACE, THEN USE MOUNTING SCREW(S) (BY OTHERS) TO MOUNT THE SWIVEL(S) TO THE SURFACE UNTIL SECURE.



### 3 SELECT DESIRED ANGLE

· ROTATE AND TILT THE FIXTURE INTO DESIRED DEGREE ANGLE.

