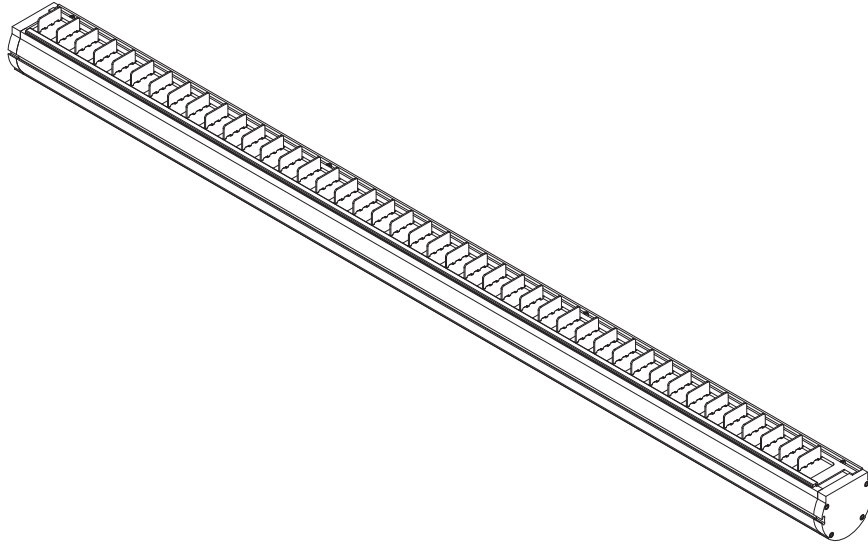


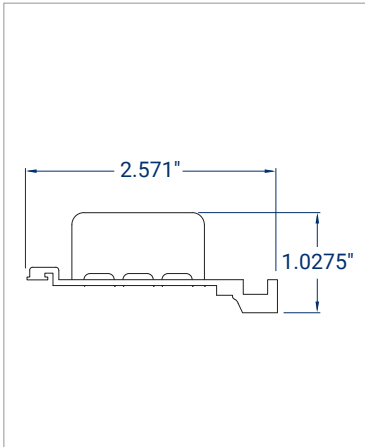


WARNING!

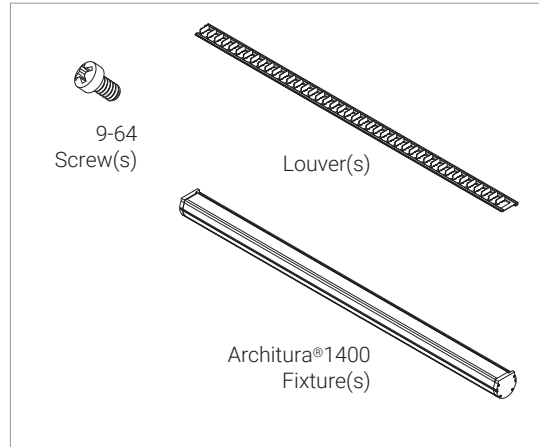
- READ THE PROVIDED INSTRUCTIONS PRIOR TO INSTALLING.
- INSTALLATION SHOULD BE CARRIED OUT BY QUALIFIED INSTALLERS.
- THE INSTALLER HAS THE FINAL RESPONSIBILITY FOR THE STRENGTH AND RIGIDITY OF THE WALL/CEILING STRUCTURE.
- A MINIMUM OF 2 PEOPLE REQUIRED WHEN INSTALLING LONG LENGTH FIXTURES.



MOUNT DIMENSIONS



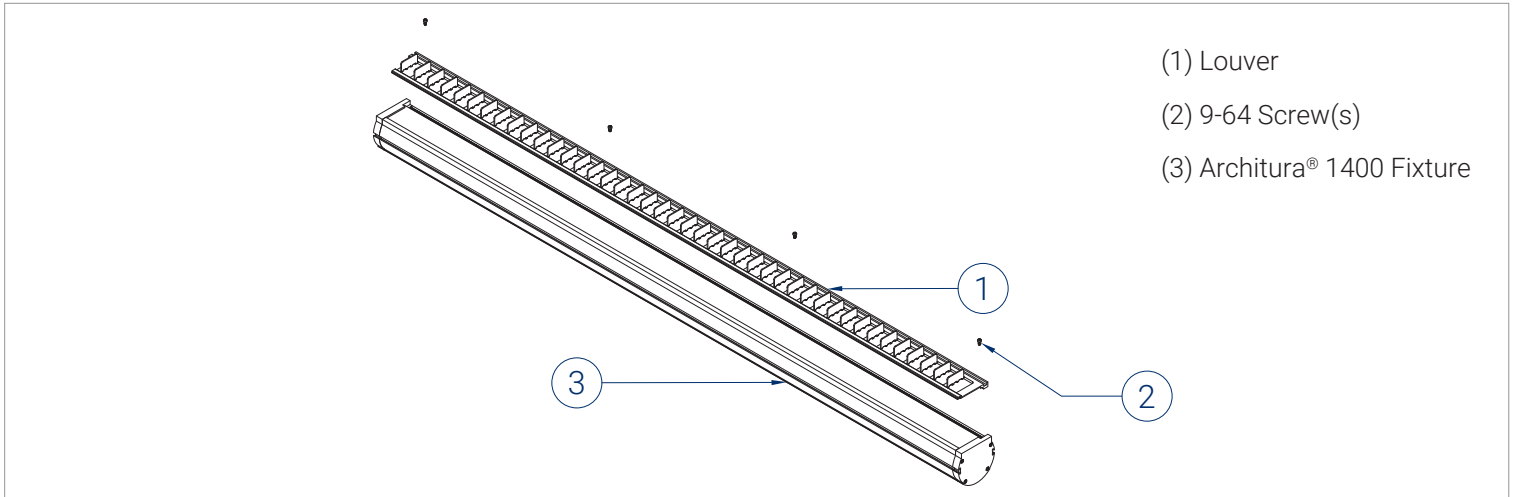
PACKAGE INCLUDES



ITEMS NEEDED (BY OTHERS)

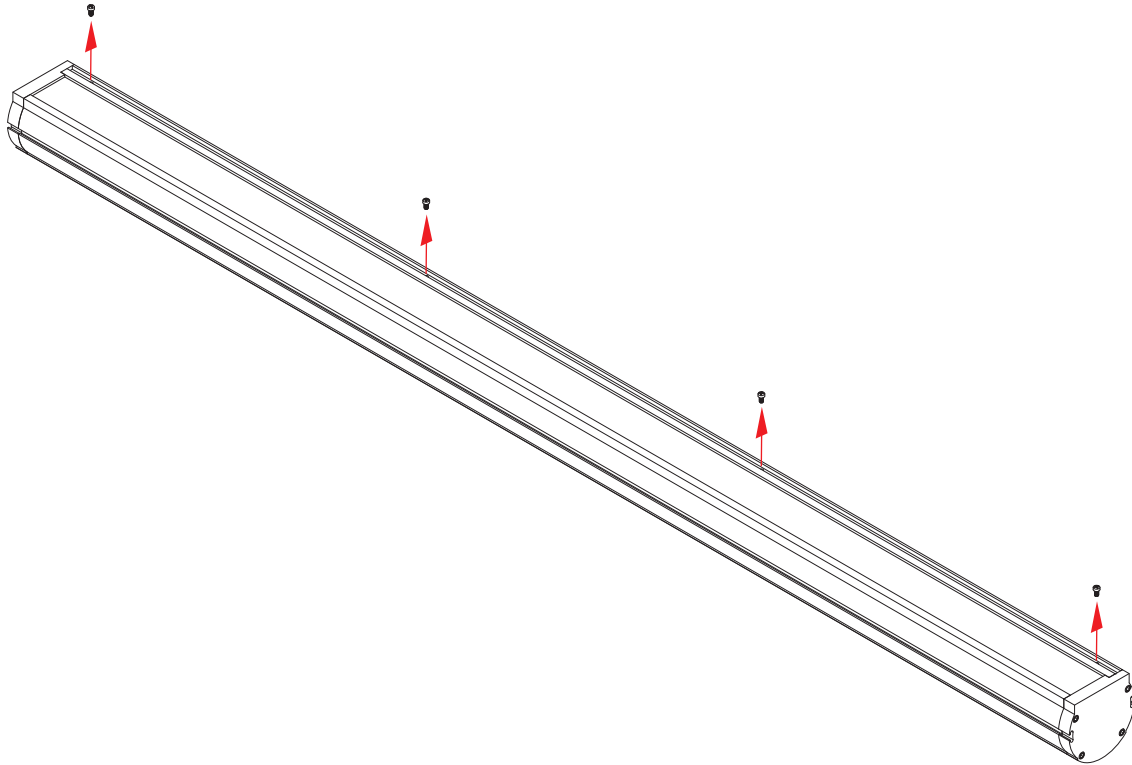


ISOMETRIC / EXPLODED VIEW



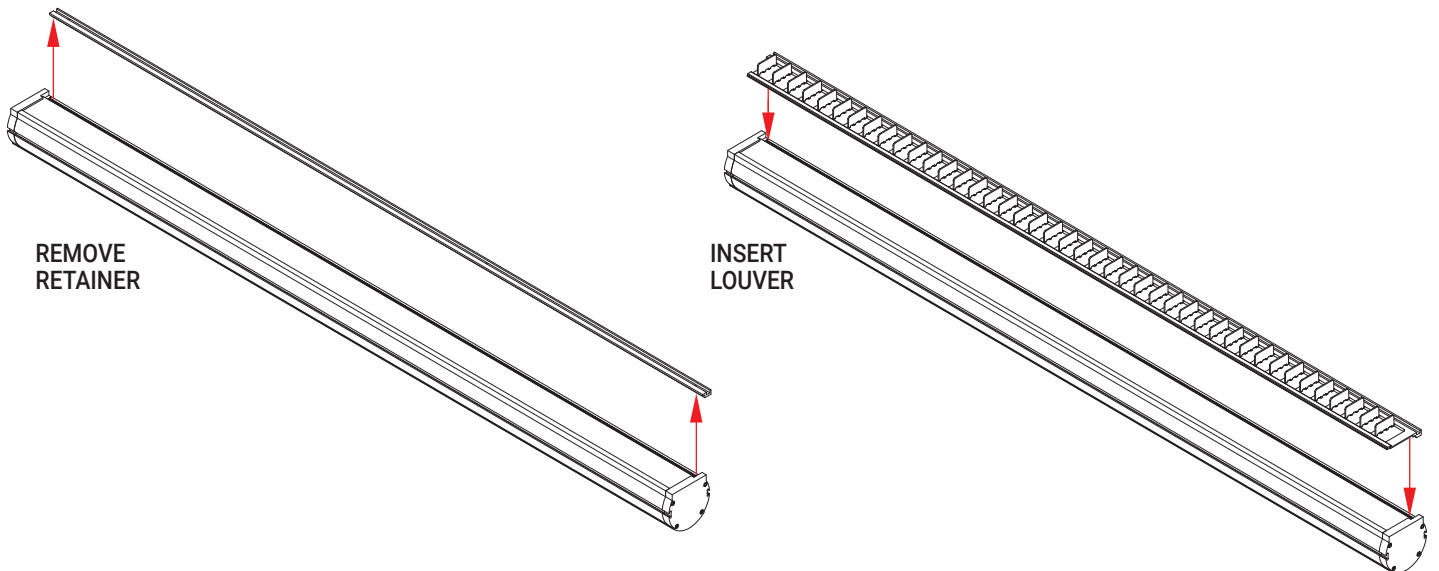
**1 REMOVE SCREWS FROM RETAINER**

- REMOVE EXISTING SCREW(S) FROM EXISTING RETAINER.



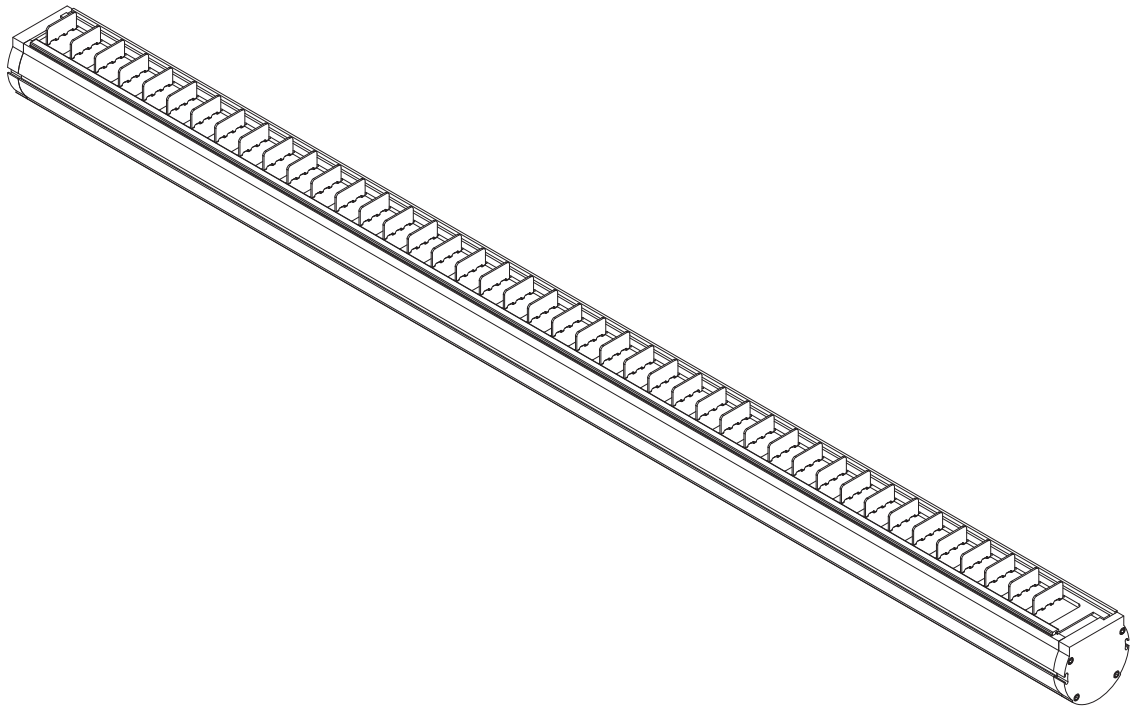
**2 REPLACE RETAINER**

- REPLACE EXISTING RETAINER(S) WITH THE LOUVER(S).



**3 POSITION LOUVER**

· POSITION LOUVER(S) IN RETAINER SLOT(S).



**2 SECURE THE LOUVER(S)**

· SECURE THE LOUVER(S) USING 9-64 SCREW(S).

