

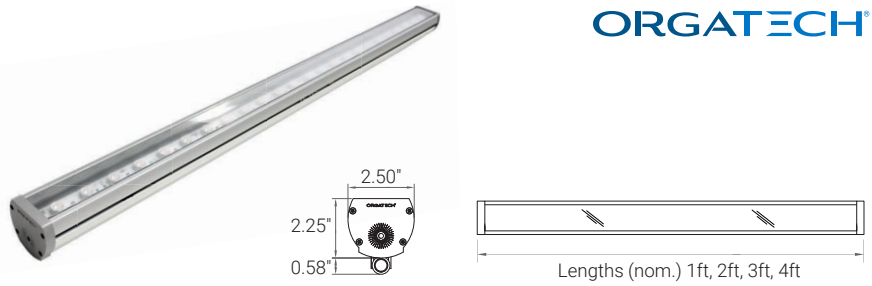
Minatura 1300s

Signlighter

120VAC



Project
Date



DESCRIPTION

120V LED arrays with 120° distribution for general signlighting wallwashing creates a powerful energy efficient and economical linear floodlight. Simple specification & snap-together power and control connectors enable time saving installation. Fixtures run cooler than competing products and ensure long LED life in extreme climates such as desert locations. Perfect for signs and wallwashing applications, with unparalleled uniformity.

FEATURES

Construction	Anodized Aluminum w/ Diecast Endcaps. Polycarbonate lenses.
Length (nom.)	1ft, 2ft, 3ft, 4ft
Weight	1lb/ft
White CCT	2700K, 3000K, 3500K, 4000K, 5000K
Dimming	Non-dimming, Forward Phase (TRIAC), Reverse Phase (ELV)
Optics	120°
Mounting	Swivel Mount, Extended Arm, Extended Hub Bracket, L Bracket, Sliding Bracket & Permapost
Finish	Anodized Silver, Powder Coat Bronze, Black, White & Custom

PERFORMANCE

Electrical	120VAC
LED Wattage	LS 4W/ft (480lm/ft) - Standard / LH 8W/ft (960lm/ft)- High
Environment	Wet Location - IP67. Operating Temperature - 22°F to 122°F
Warranty	5 yr / 50,000 hour limited warranty
CRI	90+
Certifications	UL Listed, ROHS, BAA and BABA Options Available

LS 4w/ft	Delivered Output	Watts
1ft	480lm	4w
2ft	960lm	8w
3ft	1440lm	12w
4ft	1920lm	16w

LH 8w/ft	Delivered Output	Watts
1ft	960lm	8w
2ft	1920lm	16w
3ft	2880lm	24w
4ft	3840lm	32w

ORDERING GUIDE Make selections by filling out the top row or highlighting options.

1300s	SERIES	LENGTH	OUTPUT	CCT	VOLTAGE	CONTROL	OPTICS	MOUNTING	FINISH	ACCESSORY	CERTIFICATIONS			
1300s	1	1'nom	LS STANDARD	27	2700K	AC120	120V	ND NON DIMMING	120	120°	SW SWIVEL MOUNT	SO SILVER	G GLARE SHIELD	BAA BAA
	2	2'nom	LH HIGH	30	3000K			Ax EXTENDED ARM (x=length: 4 - 36in)	BZ BRONZE	P PERMAPOST	BABA BABA			
	3	3'nom		35	3500K			TRI FORWARD PHASE	BL BLACK	M MARINE GRADE FINISH	N NONE			
	4	4'nom		40	4000K			ELV REVERSE PHASE	WH WHITE	2 NATATORIUM				
				50	5000K			HBxx EXTENDED HUB BRACKET(x=length)	CU CUSTOM	N NONE				
								LB L-BRACKET						
								SB SLIDING BRACKET						

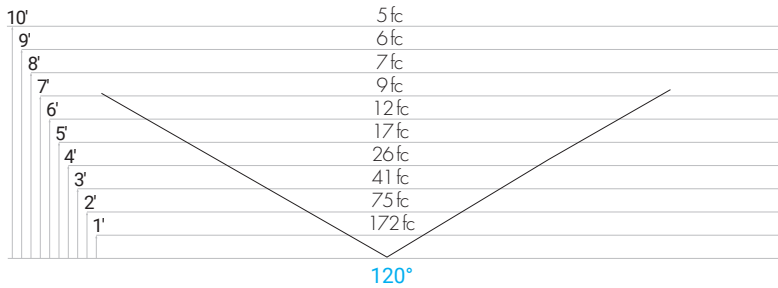
Specifications sheets are subject to change without notification.



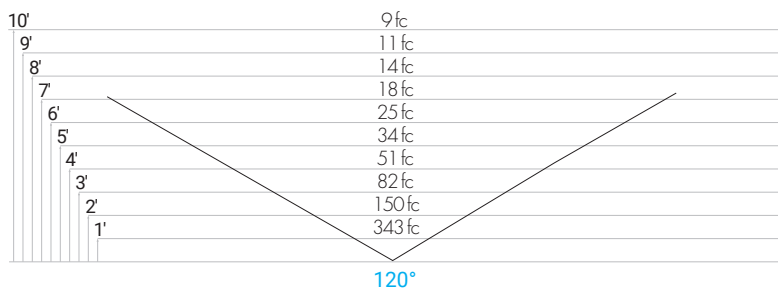
PHOTOMETRICS AND OPTICS

Aiming fixtures with the lens options shown enable perfect asymmetric performances to meet the needs of any wallwashing project. Combining easy specification with easy aiming for long throw with even, shadowless distribution.

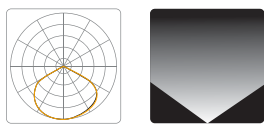
PHOTOMETRIC DATA - LS 4W/ft (based off 4ft fixture)



PHOTOMETRIC DATA - LH 8W/ft (based off 4ft fixture)



OPTICS

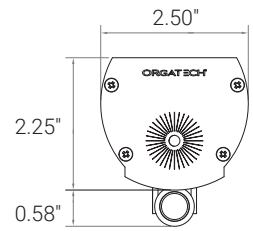
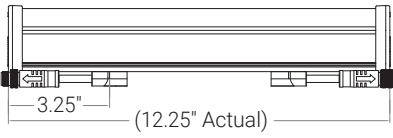


120°

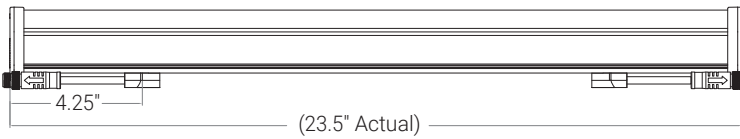
Minatura® 1300s

FIXTURE SIZES

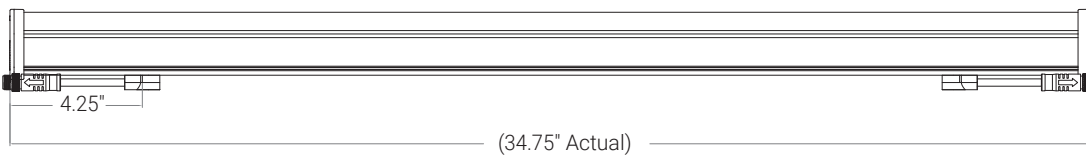
1ft nom.



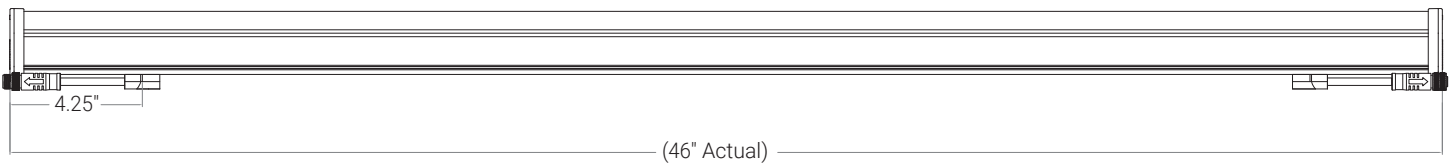
2ft nom.



3ft nom.



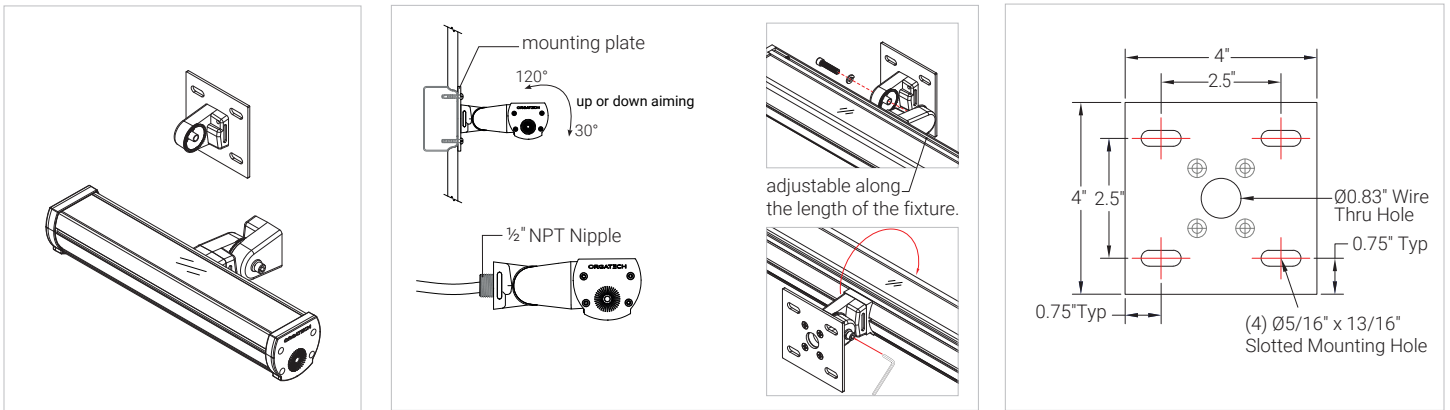
4ft nom.



MOUNTING INSTALLATION

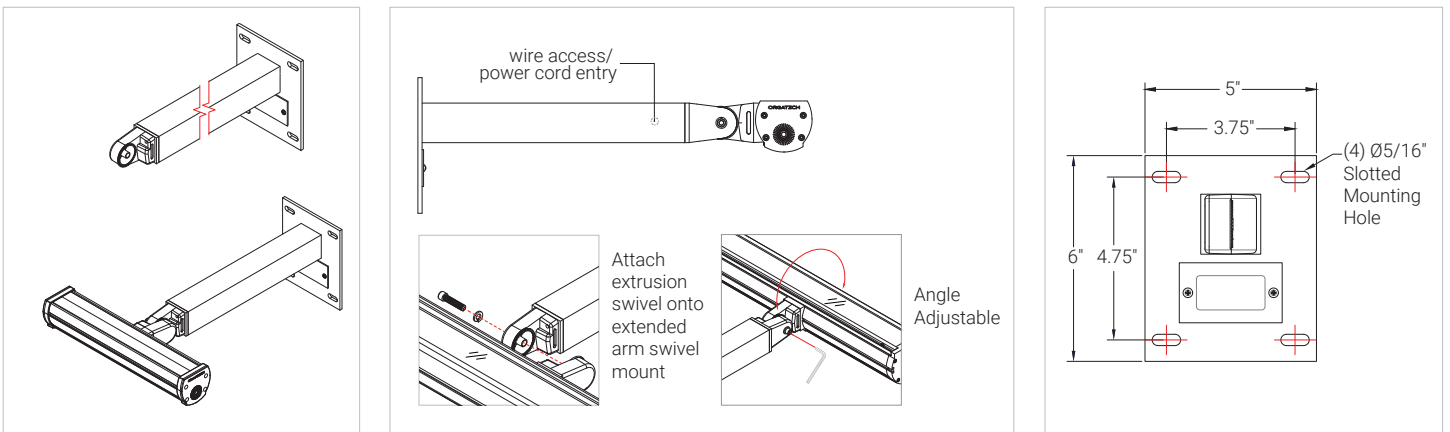
SWIVEL MOUNT

A heavy duty adjustable swivel mount with mounting plate. 1/2" nipple (can be specified) mounts directly to weatherproof canopies.



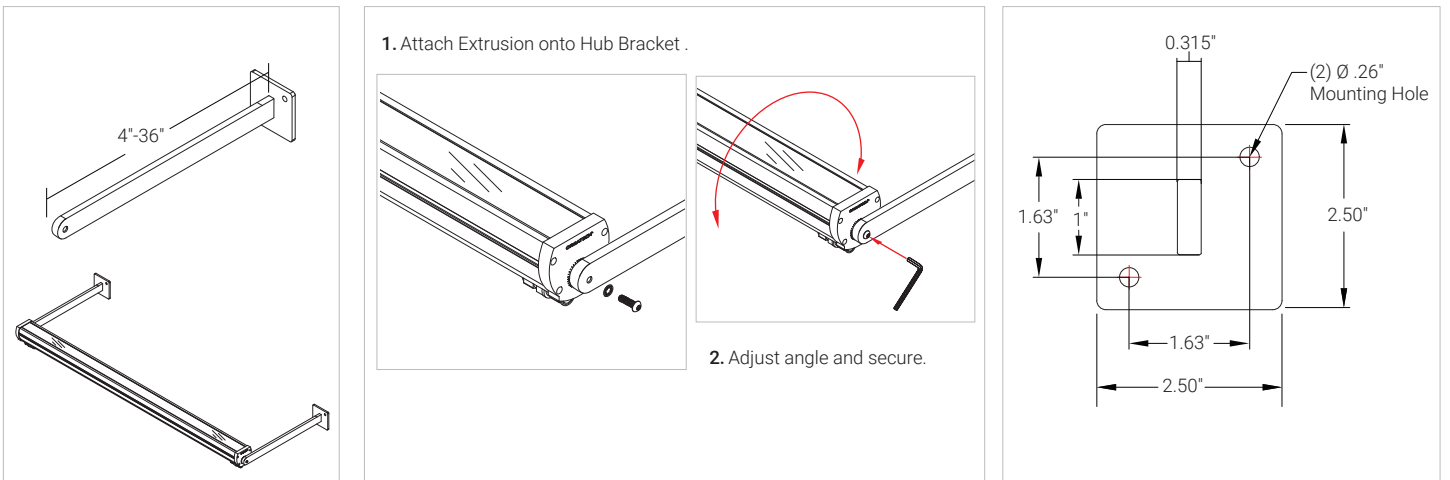
EXTENDED ARM

With swivel mount, extended arm is available in 4"-36" lengths. Power cords can be routed through arms, exiting close to the wall to connect to an adjacent j-box or other power outlet, providing a tidy installation.



EXTENDED HUB BRACKET

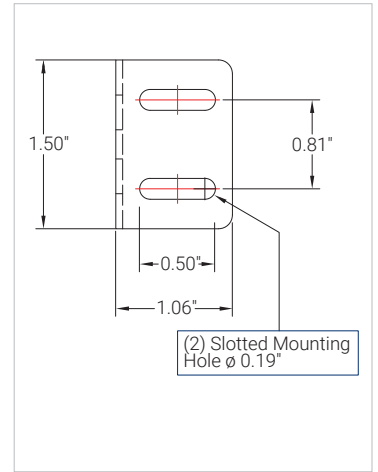
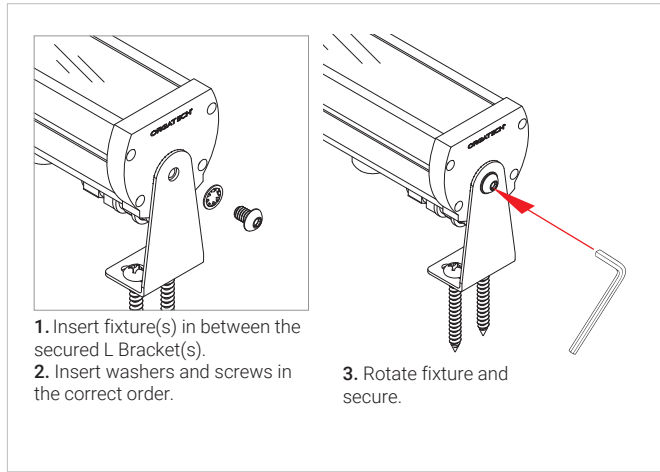
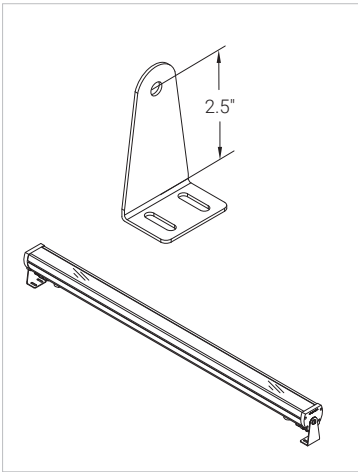
Available in 4"-36" lengths.



MOUNTING INSTALLATION

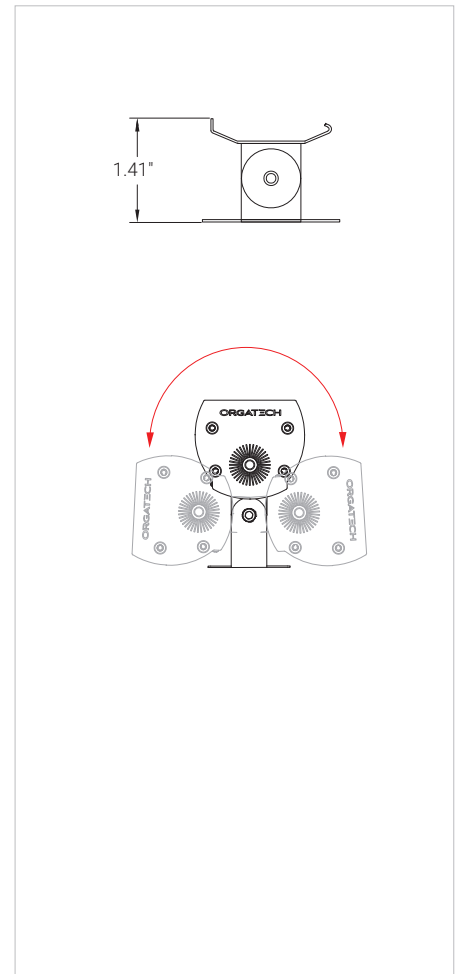
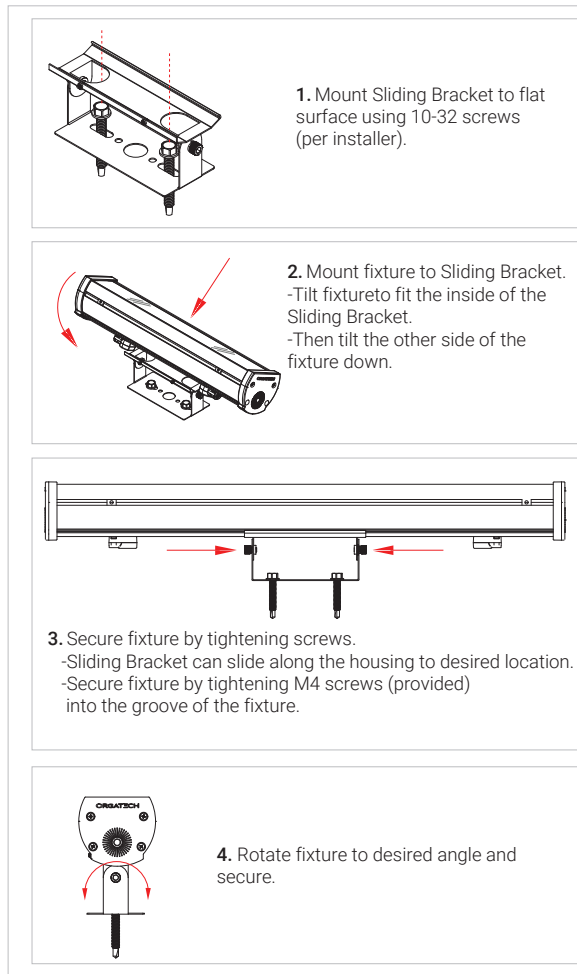
L-BRACKET

Surface mounts in position with No. 10 screws (not supplied). All fixtures require two brackets.



SLIDING BRACKET

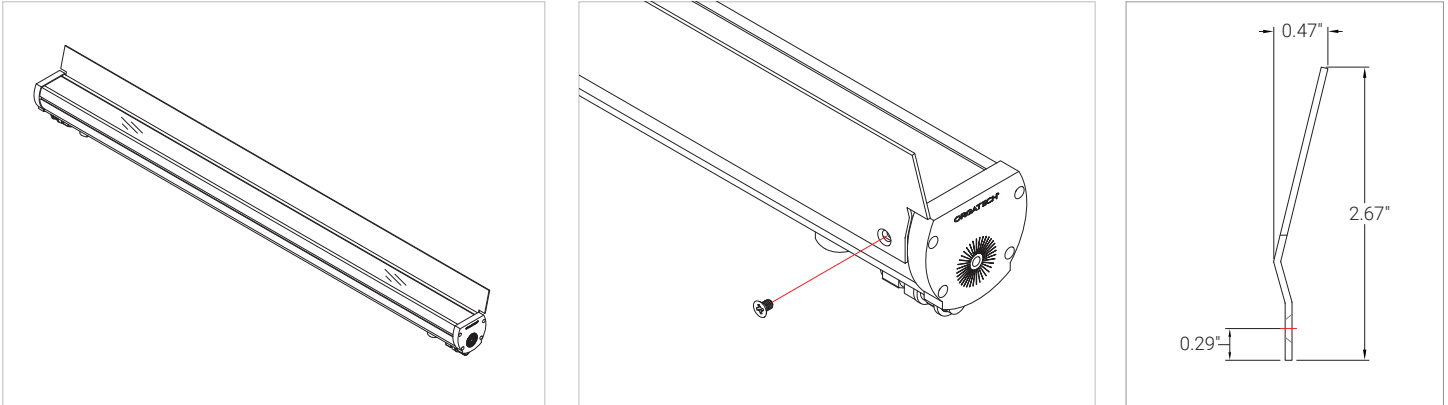
Surface Mount Aluminum Sliding bracket. Designed to allow the fixture to rotate and aim 180 degrees and mount flat to any surface. Two Brackets required for fixtures longer than 2 ft.



ACCESSORIES

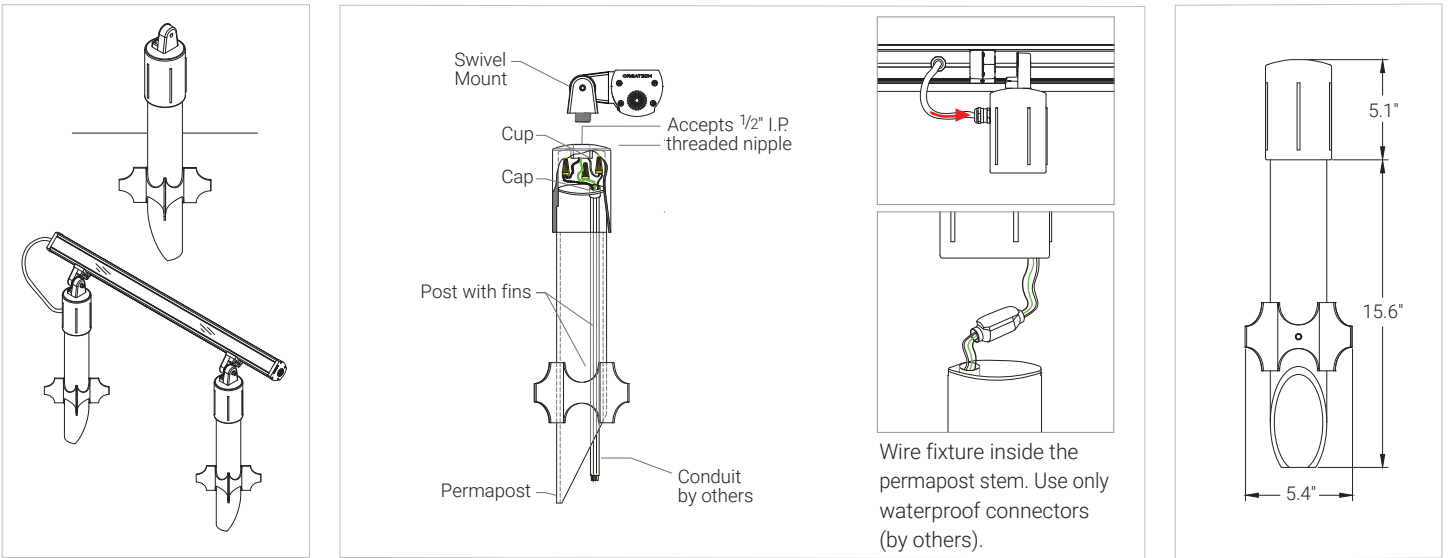
GLARE SHIELD

Minimizes a direct glare, while maintaining the LED output.

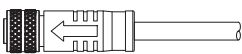


PERMAPOST

Provides easy at-grade installation. Includes swivel mount with 1/2" nipple. Fixture must be mounted at least 4" above ground level to avoid water accumulation.

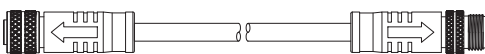


STARTER CABLE



(input side)

JUMPER CABLE



(input side)

(output side)

END CAP (output side)



PART

DESCRIPTION

M12-SC-4FT	48" Starter Cable
------------	-------------------

PART

DESCRIPTION

M12-JC-1FT	12" Jumper Cable
M12-JC-2FT	24" Jumper Cable
M12-JC-3FT	36" Jumper Cable
M12-JC-4FT	48" Jumper Cable

PART

DESCRIPTION

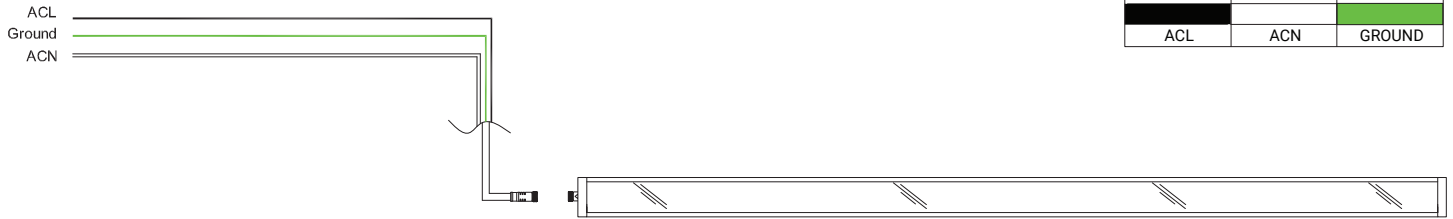
M12-FC-ENDCAP	End Cap (output side)
---------------	-----------------------

*longer cable lengths available per request.

Specifications sheets are subject to change without notification.

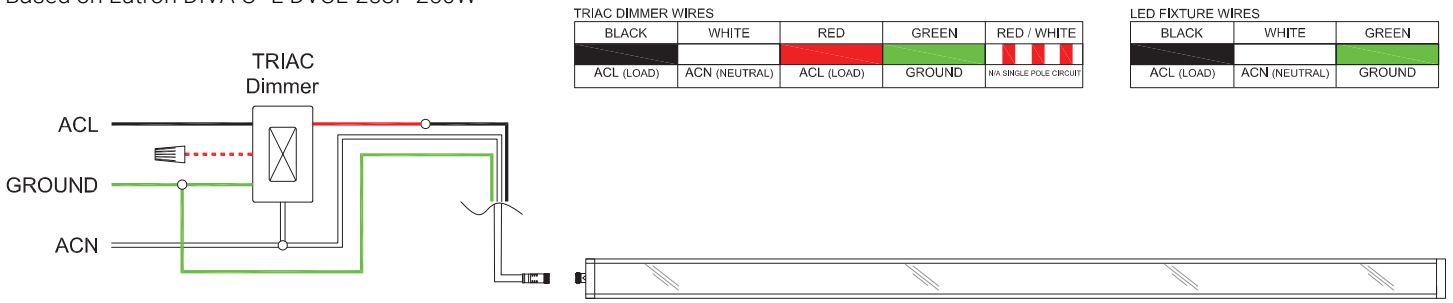
ELECTRICAL DETAILS

Non-Dimming | 3 Wire



TRIAC | Forward Phase | 3 Wire

Based on Lutron DIVA C•L DVCL-253P 250W



ELV | Reverse Phase | 3 Wire

Based on Lutron DIVA DVRP-253P 250W & Lutron DIVA DVELV-303P-WH 300W

