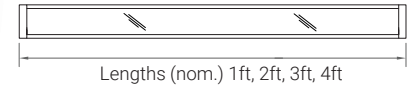
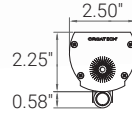


# Minatura 1300

## Linear Wallwash LED

120-277VAC



Project
Date

LS 3.5W/ft	Delivered Output	Watts
1ft	273lm	3.5w
2ft	546lm	7w
3ft	819lm	10.5w
4ft	1092lm	14w

LH 4.5W/ft	Delivered Output	Watts
1ft	351lm	4.5w
2ft	702lm	9w
3ft	1053lm	13.5w
4ft	1404lm	18w

LEH 6.7W/ft	Delivered Output	Watts
1ft	523lm	6.7w
2ft	1046lm	13.4w
3ft	1559lm	20.1w
4ft	2029lm	26.8w

### DESCRIPTION

High performance, very low profile, linear wallwash luminaire combining state-of-the-art power conversion with powerful optical lenses and inspired architectural design. Simple specification & snap-together power and control connectors enable time saving installation & long connected runs up to 295ft. Lens options enable grazing or long throw. Fixtures run cooler than competing products and ensure long LED life in extreme climates such as desert locations.

### FEATURES

<b>Construction</b>	Anodized Aluminum w/ Diecast Endcaps. Polycarbonate lenses.
<b>Length (nom.)</b>	1ft, 2ft, 3ft, 4ft
<b>Weight</b>	1lb/ft
<b>White CCT</b>	2700K, 3000K, 3500K, 4000K, 5000K
<b>Dimming</b>	Non-dimming, 0-10V Dimming, Forward Phase(TRIAC), Reverse Phase(ELV)
<b>Optics</b>	15°, 30°, 45°, 120°
<b>Mounting</b>	Sliding Bracket, Swivel Mount, Extended Arm, Extended Hub Bracket, L Bracket, Sliding Brackets & Permapost
<b>Finish</b>	Anodized Silver, Powder Coat Bronze, Black, White & Custom

### PERFORMANCE

<b>Electrical</b>	120-277V AC, Row Interconnection or Daisy Chain with input/output IP67 Jumper Cables.
<b>LED Wattage</b>	LS 3.5W/ft (273lm/ft) / LH 4.5W/ft (351lm/ft) / LEH 6.7W/ft (523lm/ft)
<b>Max Run</b>	295ft
<b>Environment</b>	Wet Location - IP65. Operating Temperature - 22°F to 122°F
<b>Warranty</b>	5 yr / 50,000 hour limited warranty
<b>CRI</b>	93+
<b>Certifications</b>	UL Listed, ROHS, Made in USA

\*based on 30° optics

**ORDERING GUIDE** Make selections by filling out the top row or highlighting options.

1300	SERIES	LENGTH	OUTPUT	CCT	VOLTAGE	CONTROL	OPTICS	MOUNTING	FINISH	ACCESSORY
1300	1 1'nom	LS STANDARD	27 2700K	U 120-277V	ND NON DIMMING	15 15°	SW SWIVEL MOUNT	SO SILVER	G GLARE SHIELD	
	2 2'nom	LH HIGH	30 3000K		D1 0-10V DIMMING	30 30°	Ax EXTENDED ARM (x=length: 4 - 36in)	BZ BRONZE	P PERMAPOST	
	3 3'nom	LEH EXTRA HIGH	35 3500K		TRI FORWARD PHASE	45 45°	HBxx EXTENDED HUB BRACKET(x=length)	BL BLACK	M MARINE GRADE FINISH	
	4 4'nom		40 4000K		ELV REVERSE PHASE	120 120°	LB L-BRACKET	WH WHITE	2 NATATORIUM	
			50 5000K				SB1 SLIDING BRACKET 1	CU CUSTOM	N NONE	
							SB2 SLIDING BRACKET 2			
							SB3 SLIDING BRACKET 3			

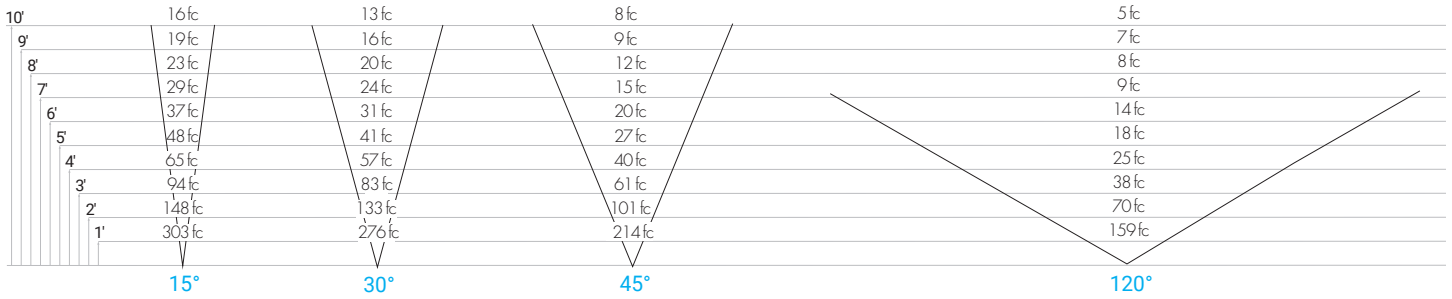
Specifications sheets are subject to change without notification.



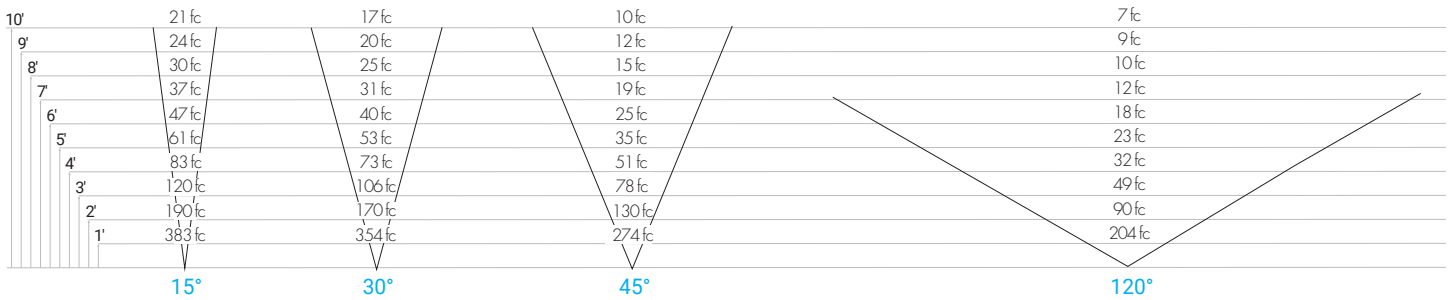
## PHOTOMETRICS AND OPTICS

Aiming fixtures with the lens options shown enable perfect asymmetric performances to meet the needs of any wallwashing project. Combining easy specification with easy aiming for long throw with even, shadowless distribution.

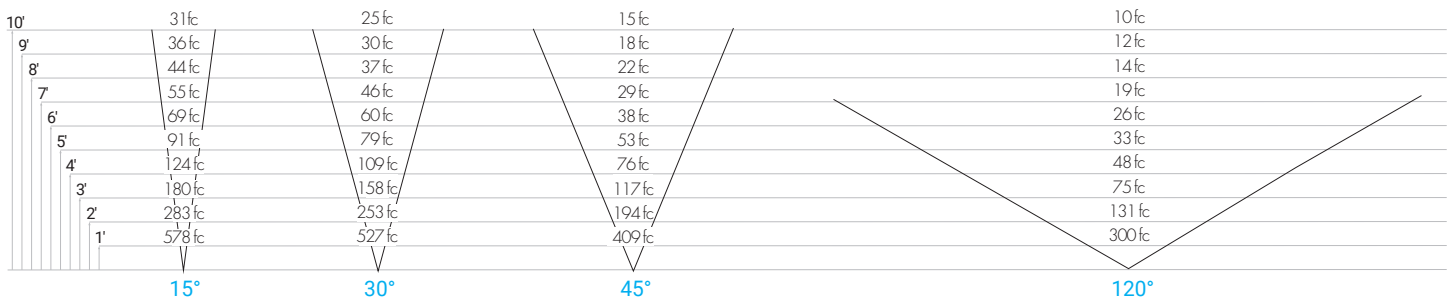
### PHOTOMETRIC DATA - LS 3.5W/ft (based off 4ft fixture)



### PHOTOMETRIC DATA - LH 4.5W/ft (based off 4ft fixture)



### PHOTOMETRIC DATA - LEH 6.7W/ft (based off 4ft fixture)



## OPTICS

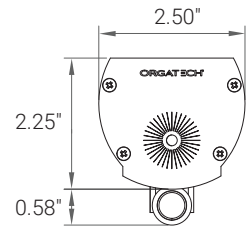
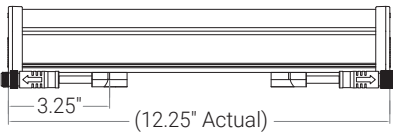


Specifications sheets are subject to change without notification.

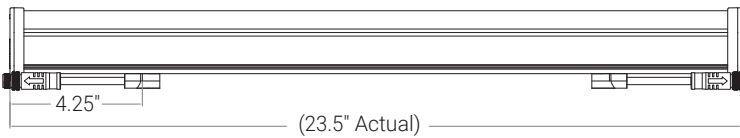
# Minatura® 1300

## FIXTURE SIZES

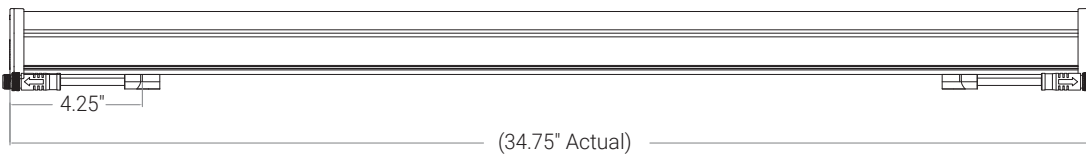
1ft nom.



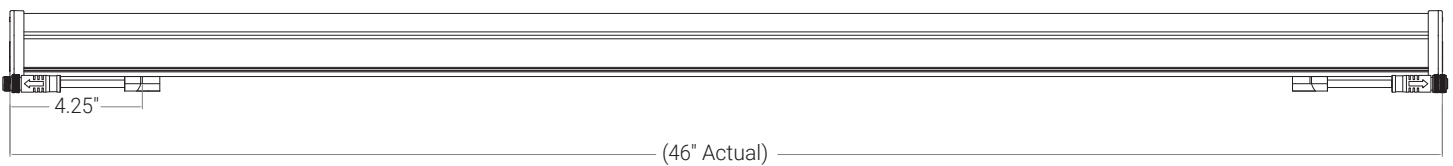
2ft nom.



3ft nom.



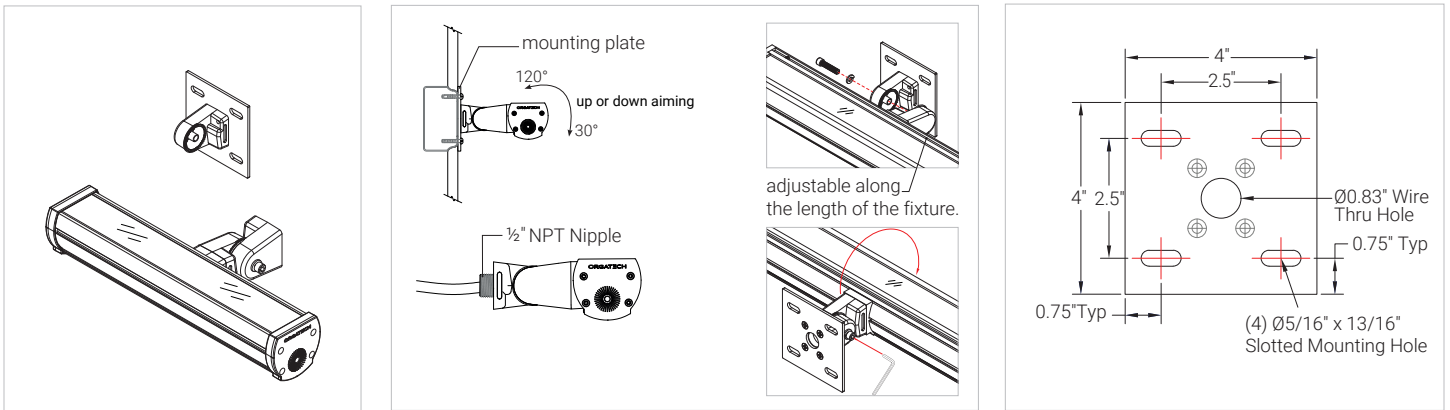
4ft nom.



## MOUNTING INSTALLATION

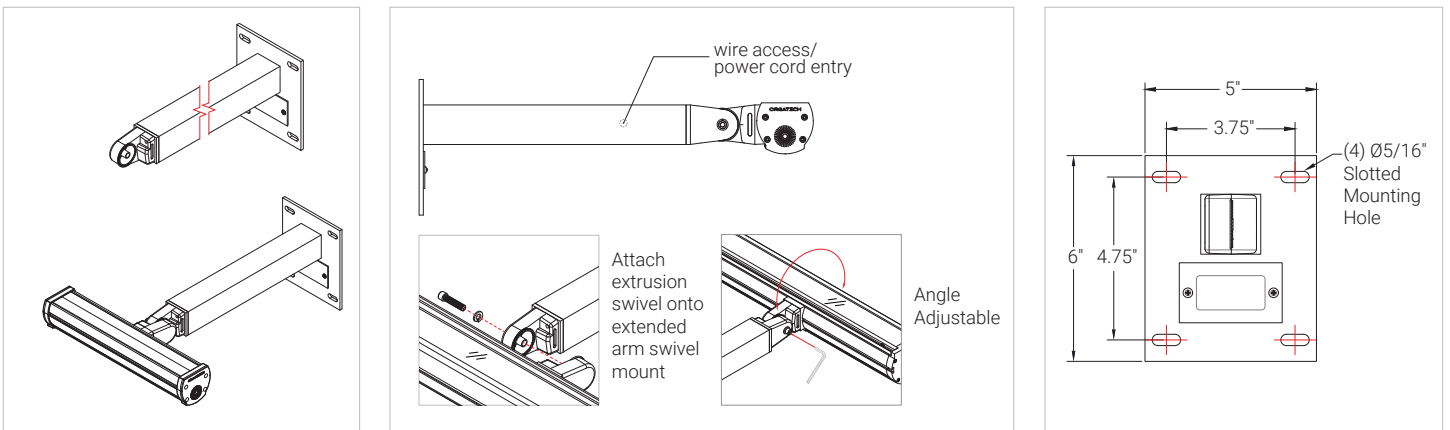
### SWIVEL MOUNT

A heavy duty adjustable swivel mount with mounting plate. 1/2" nipple (can be specified) mounts directly to weatherproof canopies.



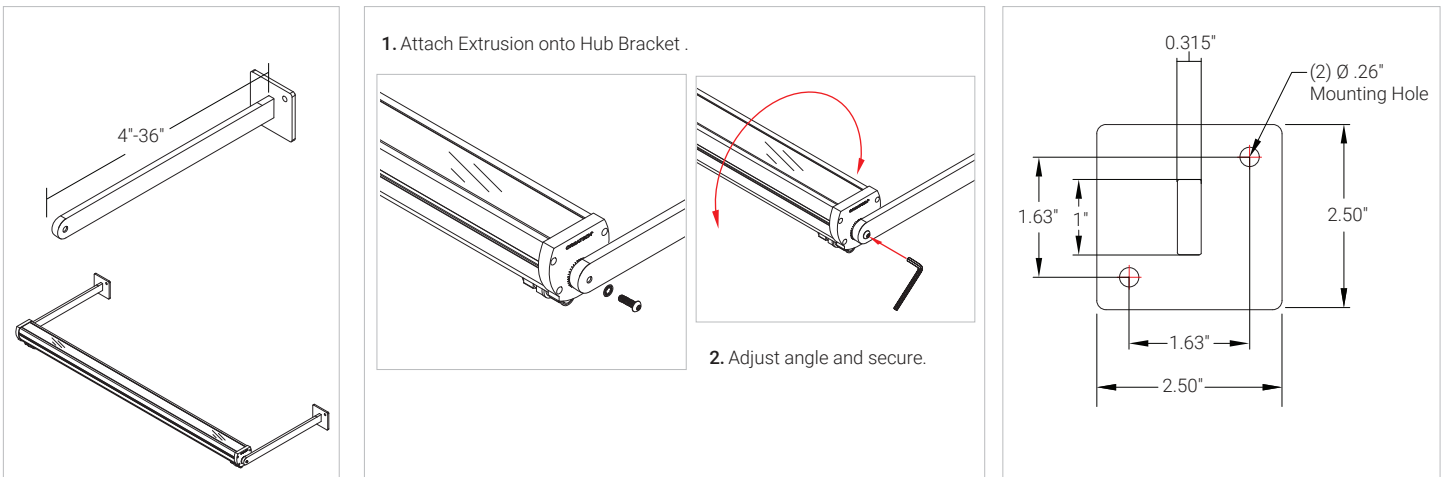
### EXTENDED ARM

With swivel mount, extended arm is available in 4"-36" lengths. Power cords can be routed through arms, exiting close to the wall to connect to an adjacent j-box or other power outlet, providing a tidy installation.



### EXTENDED HUB BRACKET

Available in 4"-36" lengths.

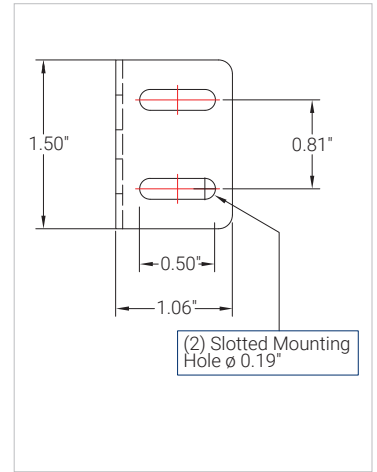
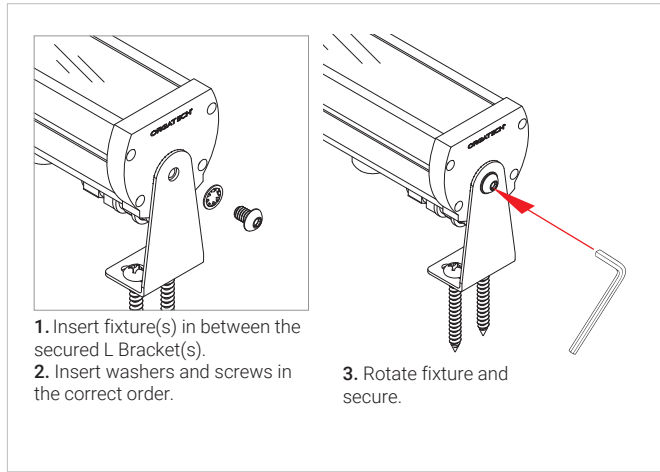
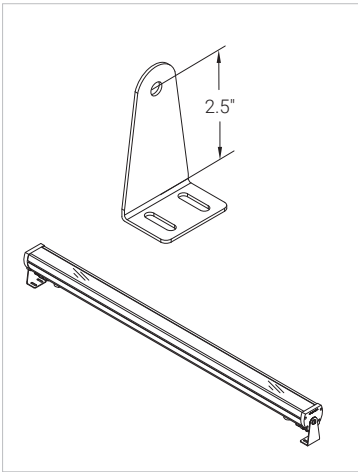


Specifications sheets are subject to change without notification.

## MOUNTING INSTALLATION

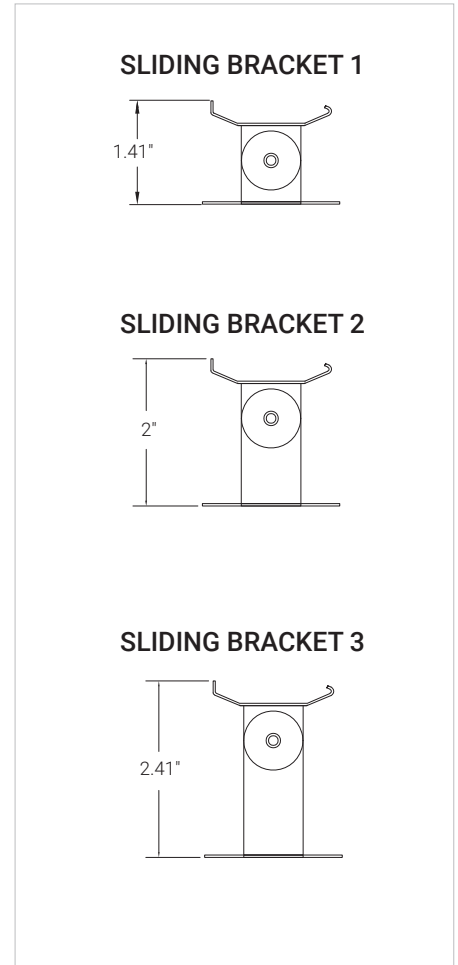
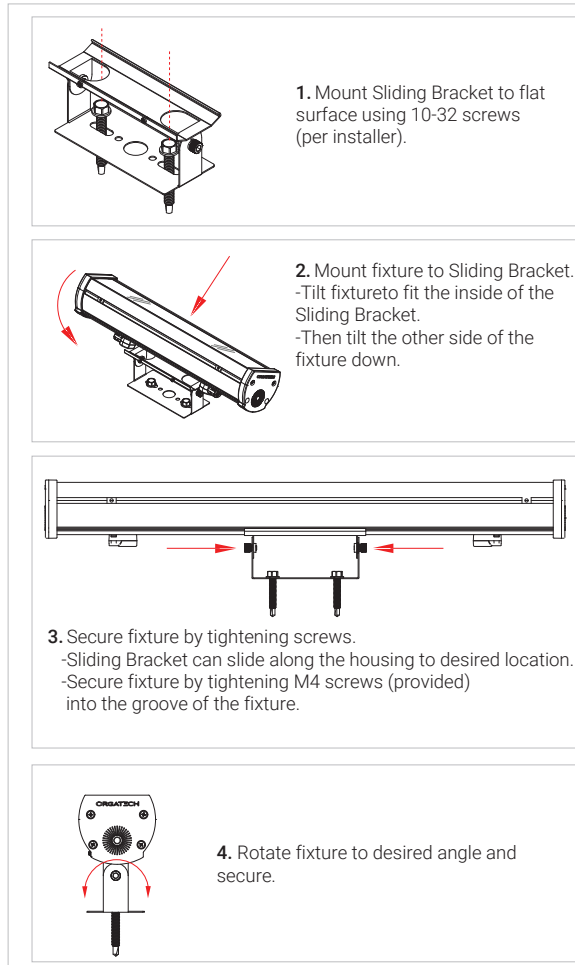
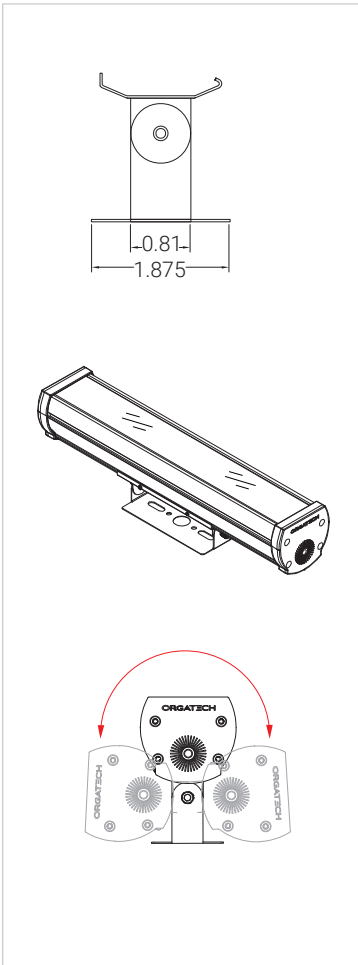
### L-BRACKET

Surface mounts in position with No. 10 screws (not supplied). All fixtures require two brackets.



### SLIDING BRACKET

Surface Mount Aluminum Sliding bracket. Designed to allow the fixture to rotate and aim 180 degrees and mount flat to any surface. Available in 3 different options. Two Brackets required for fixtures longer than 2 ft.

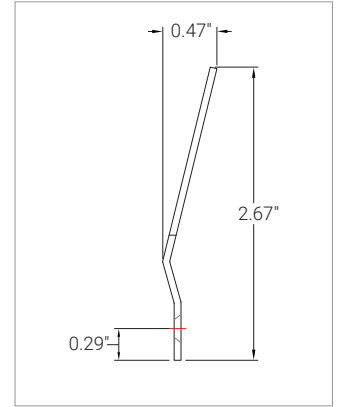
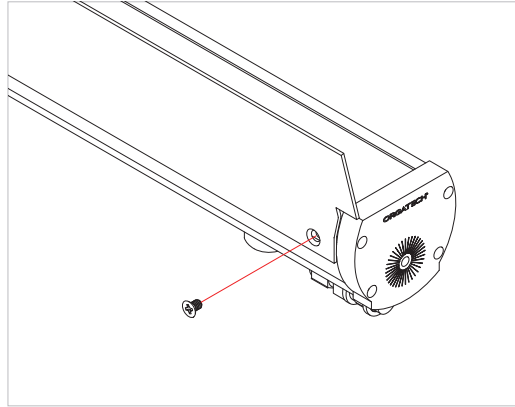
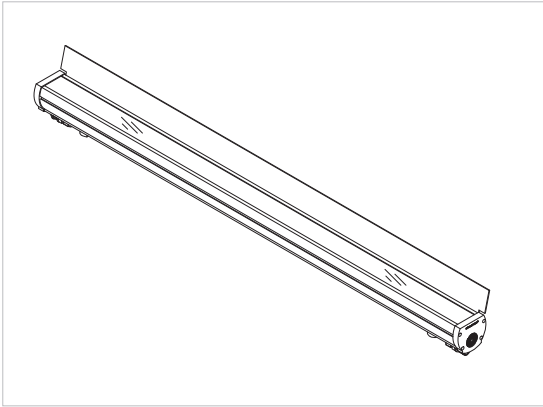


Specifications sheets are subject to change without notification.

## ACCESSORIES

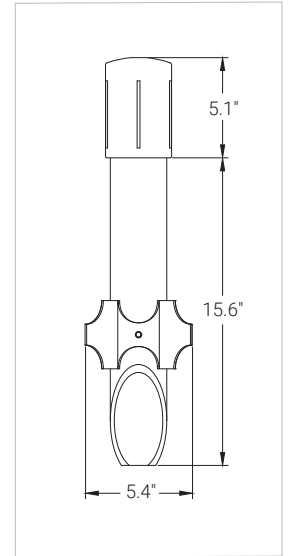
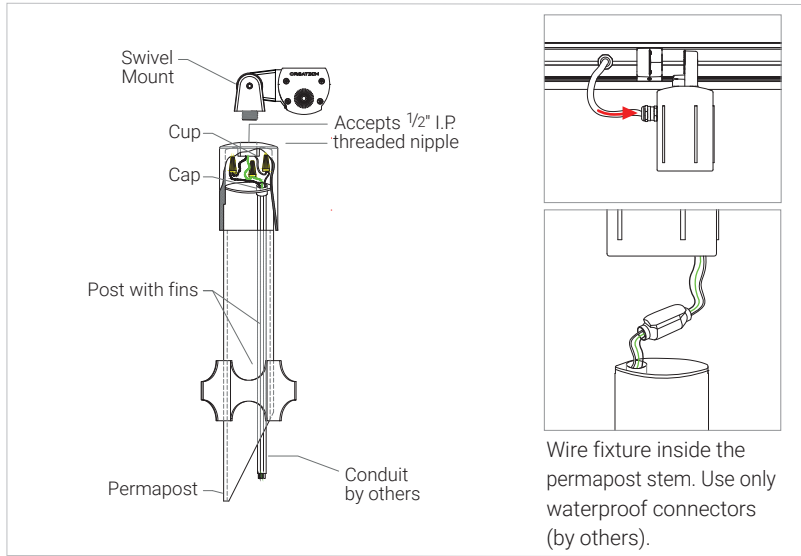
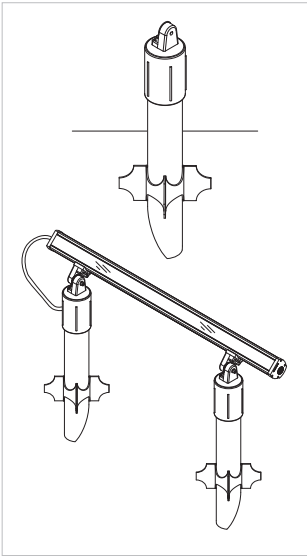
### GLARE SHIELD

Minimizes a direct glare, while maintaining the LED output.

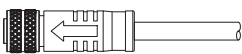


### PERMAPOST

Provides easy at-grade installation. Includes swivel mount with 1/2" nipple. Fixture must be mounted at least 4" above ground level to avoid water accumulation.



### STARTER CABLE



(input side)

### JUMPER CABLE



(input side)

(output side)

### END CAP (output side)



#### PART #

#### DESCRIPTION

M12-SC-4FT	48" Starter Cable
------------	-------------------

#### PART #

#### DESCRIPTION

M12-JC-1FT	12" Jumper Cable
M12-JC-2FT	24" Jumper Cable
M12-JC-3FT	36" Jumper Cable
M12-JC-4FT	48" Jumper Cable

#### PART #

#### DESCRIPTION

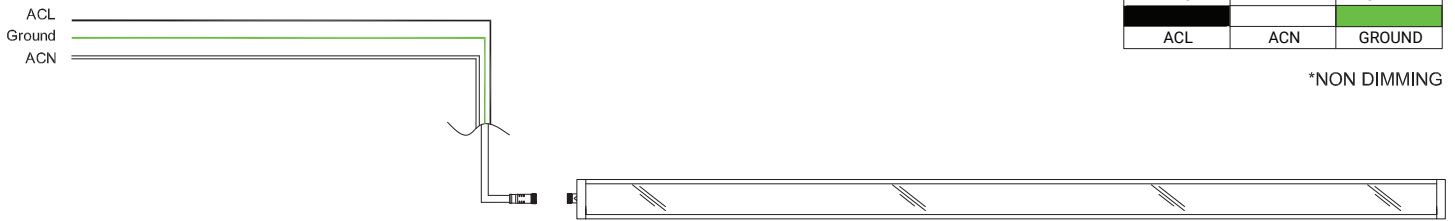
M12-FC-ENDCAP	End Cap (output side)
---------------	-----------------------

\*longer cable lengths available per request.

Specifications sheets are subject to change without notification.

## ELECTRICAL DETAILS

### Non-Dimming | 3 Wire

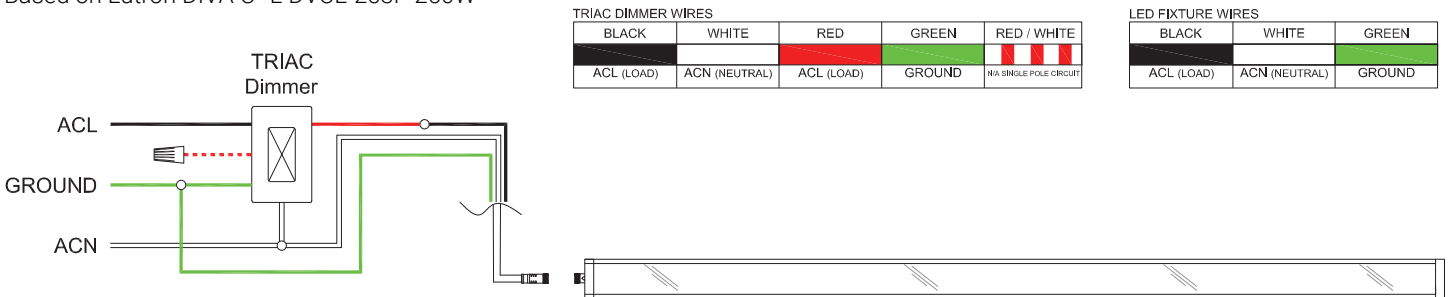


### 0-10V Dimming | 5 Wire



### TRIAC | Forward Phase | 3 Wire

Based on Lutron DIVA C•L DVCL-253P 250W



### ELV | Reverse Phase | 3 Wire

Based on Lutron DIVA DVRP-253P 250W & Lutron DIVA DVELV-303P-WH 300W

