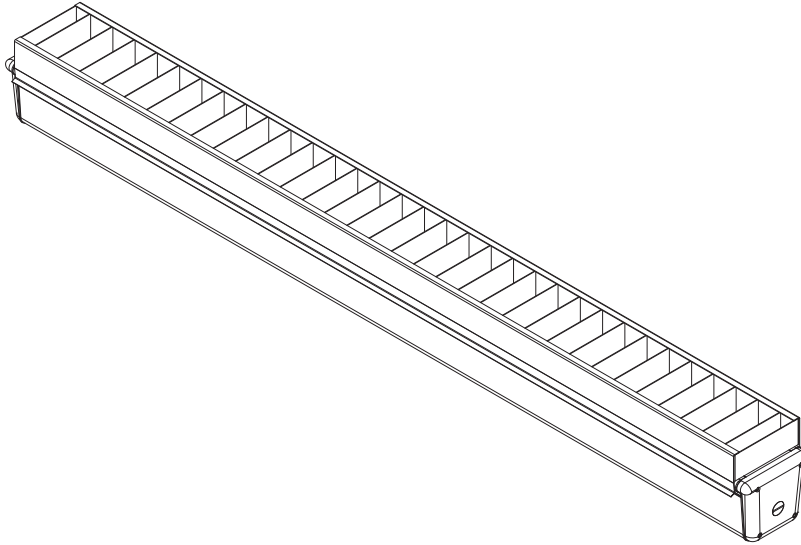


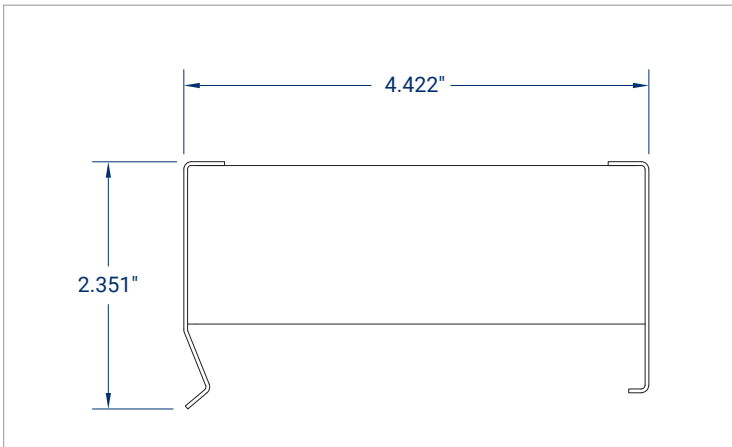


WARNING!

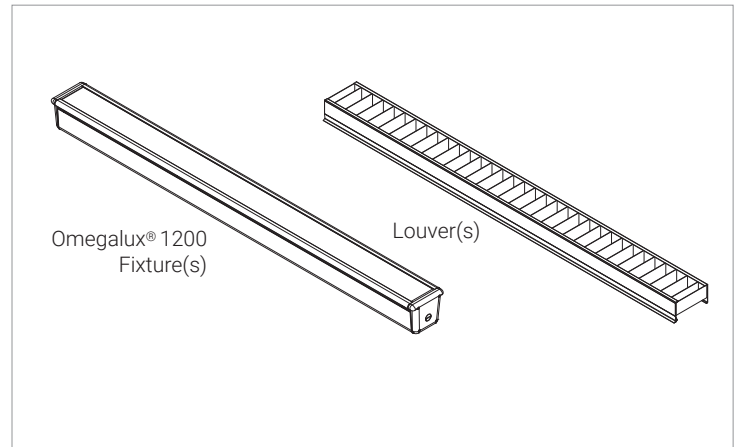
- READ THE PROVIDED INSTRUCTIONS PRIOR TO INSTALLING.
- INSTALLATION SHOULD BE CARRIED OUT BY QUALIFIED INSTALLERS.
- THE INSTALLER HAS THE FINAL RESPONSIBILITY FOR THE STRENGTH AND RIGIDITY OF THE WALL/CEILING STRUCTURE.
- A MINIMUM OF 2 PEOPLE REQUIRED WHEN INSTALLING LONG LENGTH FIXTURES.



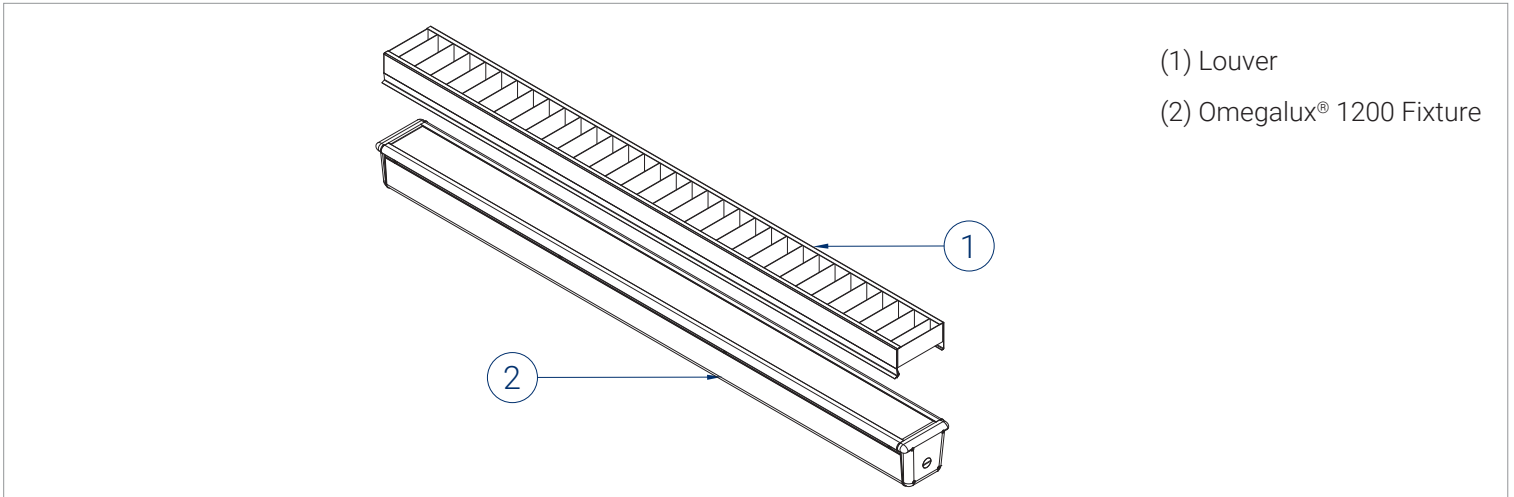
MOUNT DIMENSIONS



PACKAGE INCLUDES

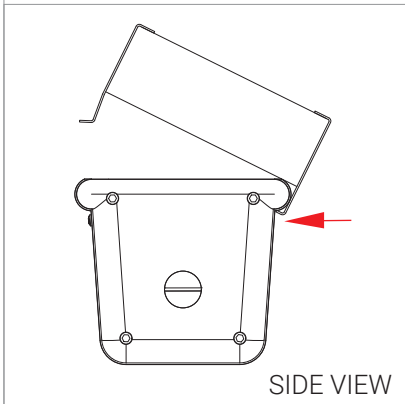
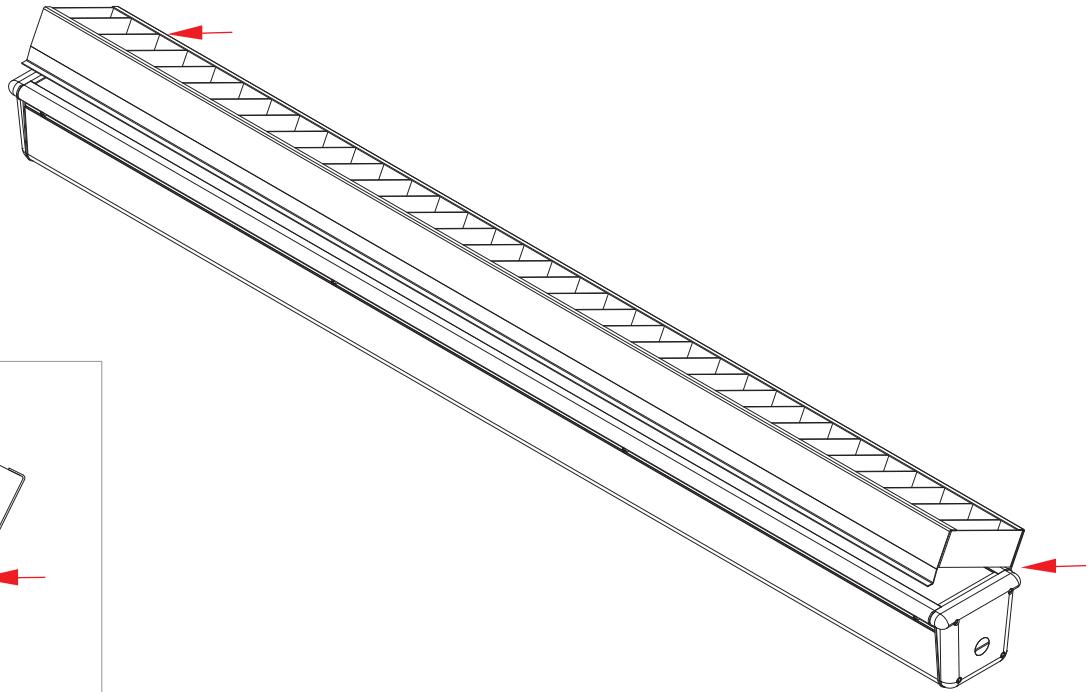


ISOMETRIC / EXPLODED VIEW



1 HOOK THE LOUVER(S) TO ONE SIDE OF THE FIXTURE(S)

· CENTER THE LOUVER(S), THEN HOOK ONE SIDE TO THE FIXTURE(S).



2 SNAP LOUVER(S) IN PLACE

· PRESS DOWN THE OPPOSITE SIDE OF LOUVER(S) TO SNAP IT INTO PLACE. ENSURE THAT IT IS SECURE.

