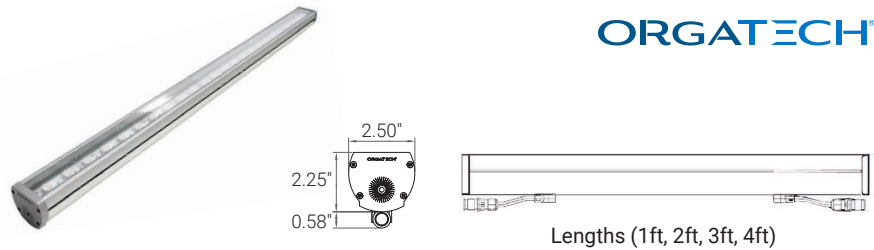


Minatura 1300

RGB, RGBW, RGBW-Pixel

Linear Wallwash LED

24V | 120-277VAC | 110-277VAC



Project
Date



DESCRIPTION

High-performance, ultra-low profile linear wallwash luminaire with anodized aluminum construction and polycarbonate lenses. Easy-to-use twist-together connectors facilitate hassle-free installations for lengths up to 200 ft and offers RGBW DMX512 control and self-addressing in 8" increments. Versatile optics enable grazing to long throw and increase lumen output by up to 5X over 120° Flood optics enhance lumen output by up to 5 times; perfect for all of your wallwashing requirements.

FEATURES

Construction	Anodized Aluminum w/ Diecast Endcaps. Polycarbonate lenses.
Length (nom.)	1ft, 2ft, 3ft, 4ft
Weight	1lb/ft
CCT	RGB, RGBW
Control	PWM, DMX w/ RDM, Auto Addressing DMX 8" Addresses
Optics	45°, 120°
Mounting	Sliding Bracket, Swivel Mount, Extended Arm, Extended Hub Bracket, L Bracket, Sliding Brackets & Permapost
Finish	Anodized Silver, Powder Coat Bronze, Black, White & Custom

PERFORMANCE

Electrical	24V, 110-277VAC, Row Interconnection or daisy chain with IP67 starter and jumper cables. Integral Drivers.
LED Wattage	RGB 2.7W/ft (120lm/ft) RGBW 5.8W/ft (270lm/ft) RGBW-P 6W/ft (451lm/ft)
Max Run	24V-20ft 120V-80ft 240V-140ft 277V-200ft 347V <small>available upon request</small> RGBW-P 110-277VAC - 85ft
Environment	Wet Location - IP67. Operating Temperature - 22°F to 122°F
Warranty	5 year/ 50,000 hour limited warranty
CRI	RGB/RGBW - 93+ RGBW-P -90+
Certifications	UL Listed, ROHS, Made in the USA

RGB 2.7 w/ft	Delivered Output	Watts
1ft nom.	120lm	2.7w
2ft nom.	240lm	5.4w
3ft nom.	360lm	8.1w
4ft nom.	480lm	10.8w

RGBW 5.8 w/ft	Delivered Output	Watts
1ft nom.	270lm	5.8w
2ft nom.	540lm	11.6w
3ft nom.	810lm	17.4w
4ft nom.	1080lm	23.2w

RGBW-P 6 w/ft	Delivered Output	Watts
1ft nom.	451lm	6w
2ft nom.	902lm	12w
3ft nom.	1353lm	18w
4ft nom.	1804lm	24w

ORDERING GUIDE Make selections by filling out the top row or highlighting options.

1300	SERIES	LENGTH	OUTPUT	CCT	VOLTAGE	CONTROL	OPTICS	MOUNTING	FINISH	ACCESSORY
1300		1 1'nom 2 2'nom 3 3'nom 4 4'nom	LS STANDARD	RGB RGBW RGBWP	U 120-277V 24V 24V	PWM PWM DMX DMX w/RDM MA AUTO ADDRESSING DMX 8 INCH PIXELS*	45 45° 120 120°	SW SWIVEL MOUNT Ax EXTENDED ARM (x=length: 4 - 36in) HBxx EXTENDED HUB BRACKET(x=length) LB L-BRACKET SB1 SLIDING BRACKET 1 SB2 SLIDING BRACKET 2 SB3 SLIDING BRACKET 3	SO SILVER BZ BRONZE BL BLACK WH WHITE CU CUSTOM	G GLARE SHIELD P PERMAPOST M MARINE GRADE FINISH 2 NATATORIUM N NONE

*MA only available for RGBWP

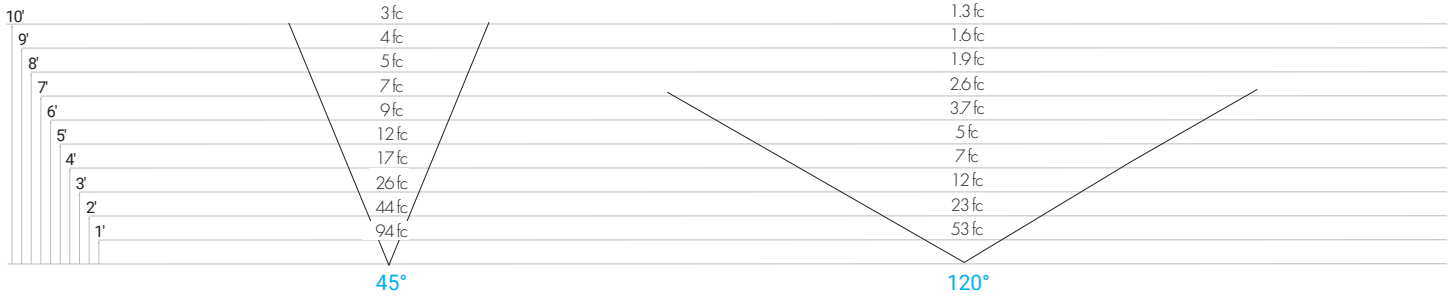
Specifications sheets are subject to change without notification.



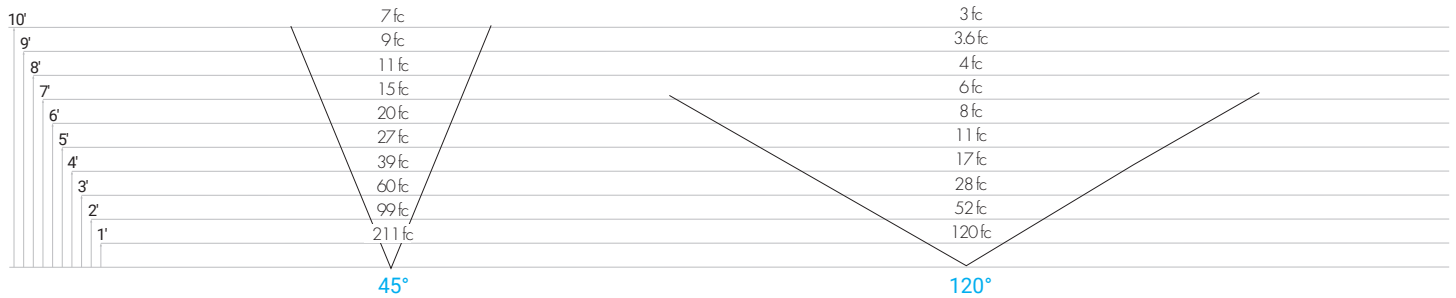
PHOTOMETRICS AND OPTICS

Aiming fixtures with the lens options shown enable perfect asymmetric performances to meet the needs of any wallwashing project. Combining easy specification with easy aiming for long throw with even, shadowless distribution.

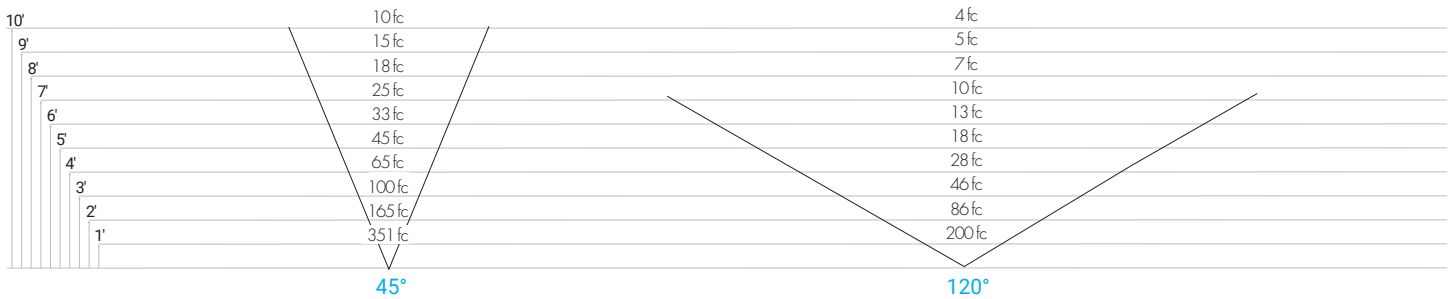
PHOTOMETRIC DATA - LS RGB 2.7W/ft (based off 4ft fixture)



PHOTOMETRIC DATA - LS RGBW 5.8W/ft (based off 4ft fixture)



PHOTOMETRIC DATA - LS RGBW-P 6W/ft (based off 4ft fixture)



OPTICS

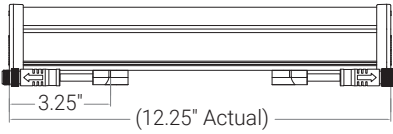


Specifications sheets are subject to change without notification.

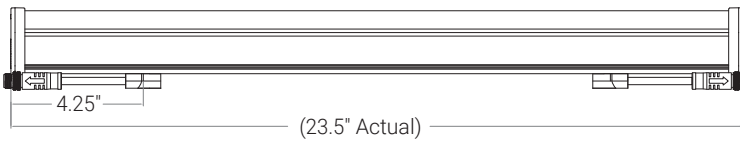
FIXTURE SIZES

RGB / RGBW

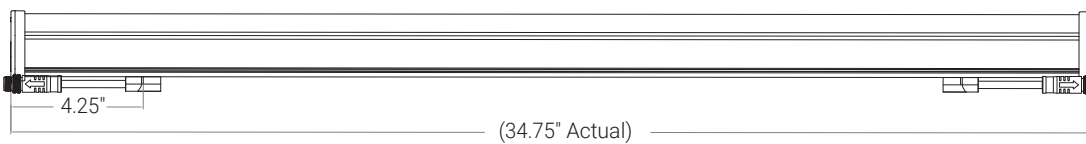
1ft nom.



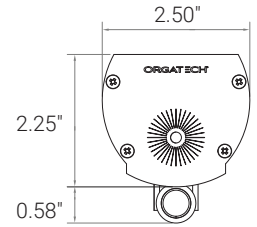
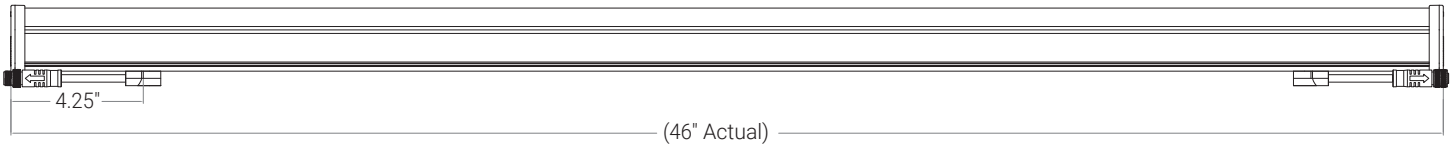
2ft nom.



3ft nom.

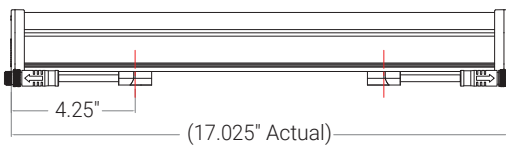


4ft nom.

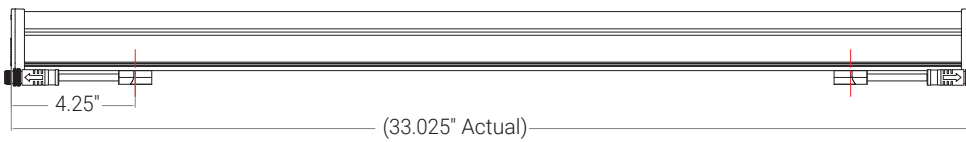


RGBW - PIXEL

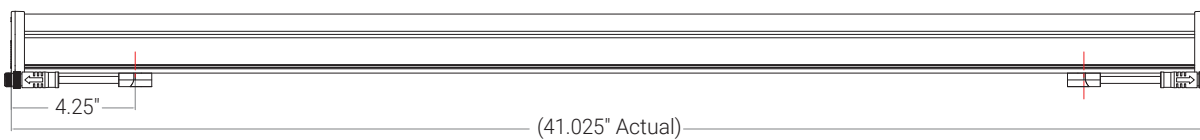
1ft nom.



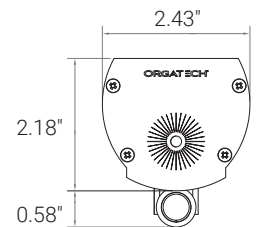
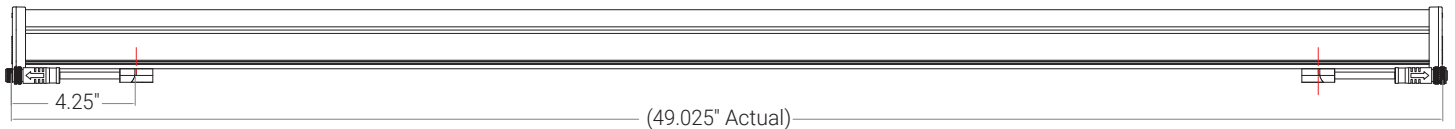
2ft nom.



3ft nom.



4ft nom.

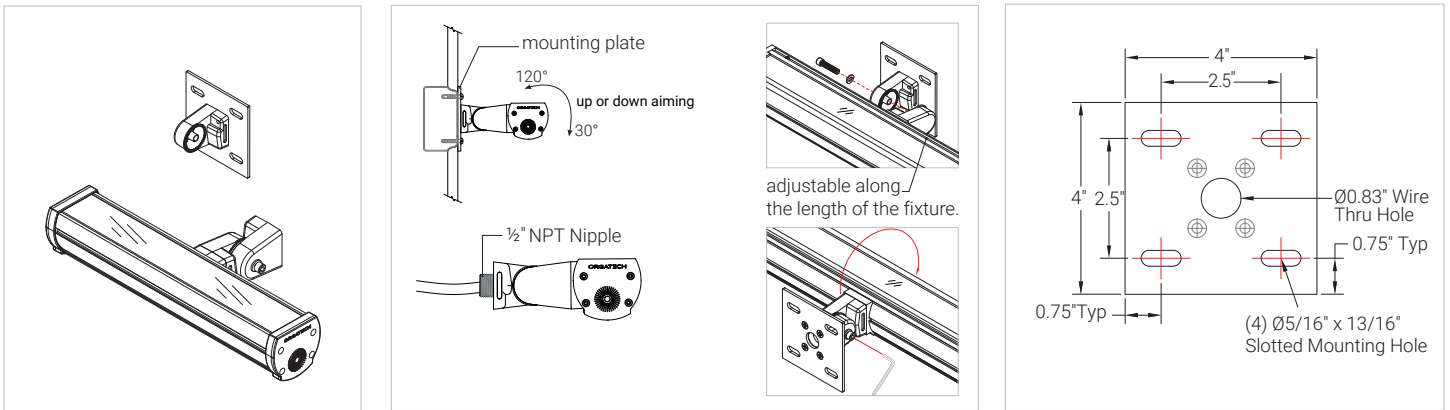


Specifications sheets are subject to change without notification.

MOUNTING INSTALLATION

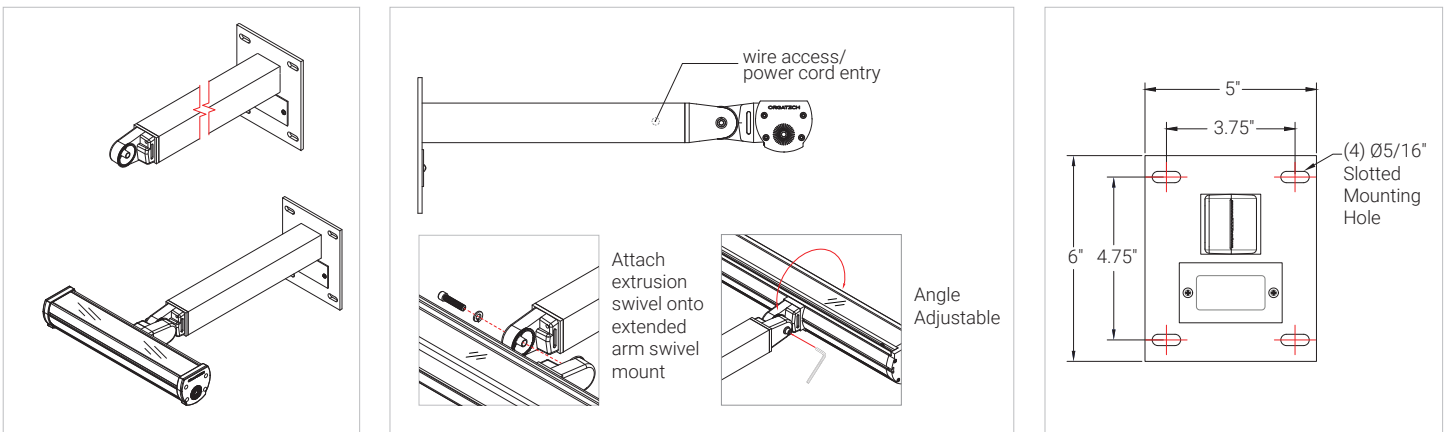
SWIVEL MOUNT

A heavy duty adjustable swivel mount with mounting plate. 1/2" nipple (can be specified) mounts directly to weatherproof canopies.



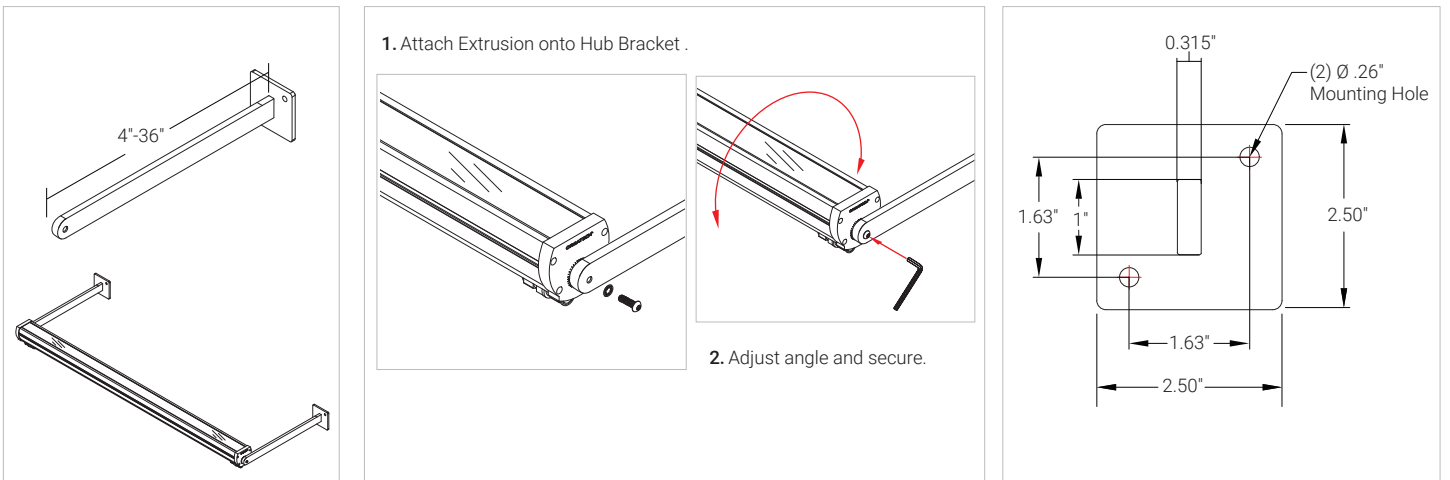
EXTENDED ARM

With swivel mount, extended arm is available in 4"-36" lengths. Power cords can be routed through arms, exiting close to the wall to connect to an adjacent j-box or other power outlet, providing a tidy installation.



EXTENDED HUB BRACKET

Available in 4"-36" lengths.

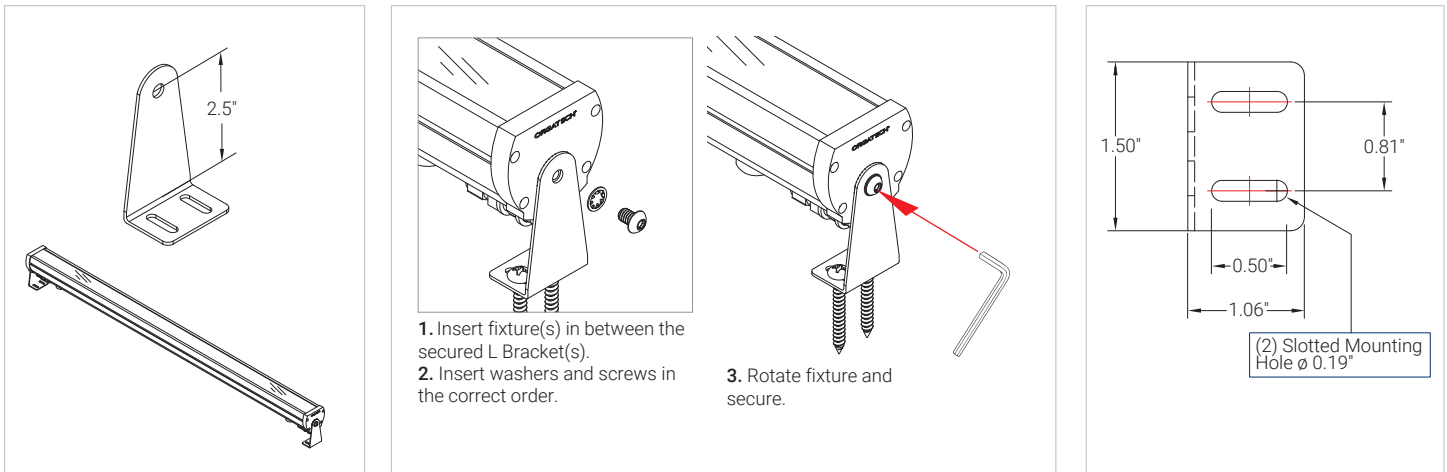


Specifications sheets are subject to change without notification.

ACCESSORIES

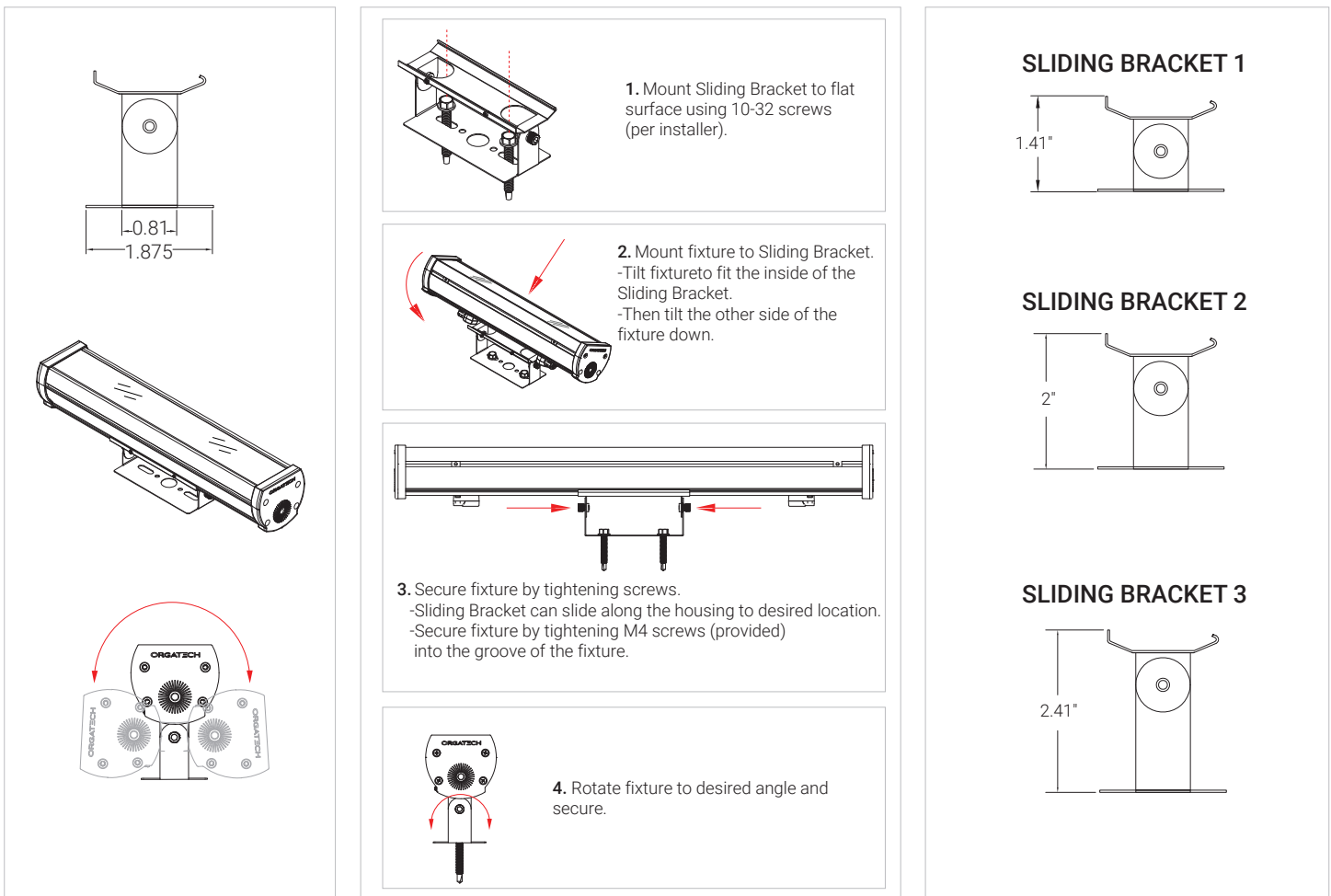
L-BRACKET

Surface mounts in position with No. 10 screws (not supplied). All fixtures require two brackets.



SLIDING BRACKET

Surface Mount Aluminum Sliding bracket. Designed to allow the fixture to rotate and aim 180 degrees and mount flat to any surface. Available in 3 different options. Two Brackets required for fixtures longer than 2 ft.

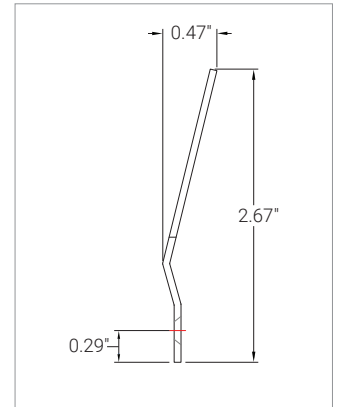
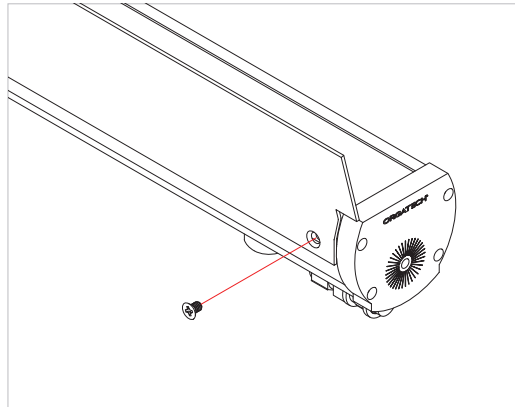
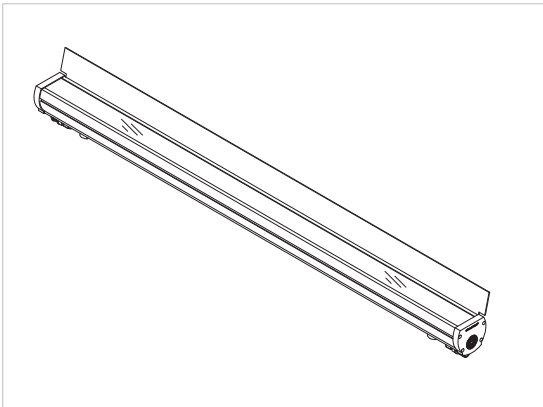


Specifications sheets are subject to change without notification.

ACCESSORIES

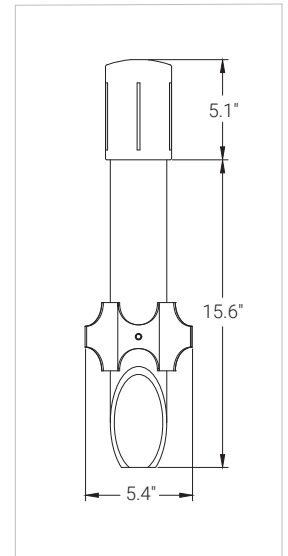
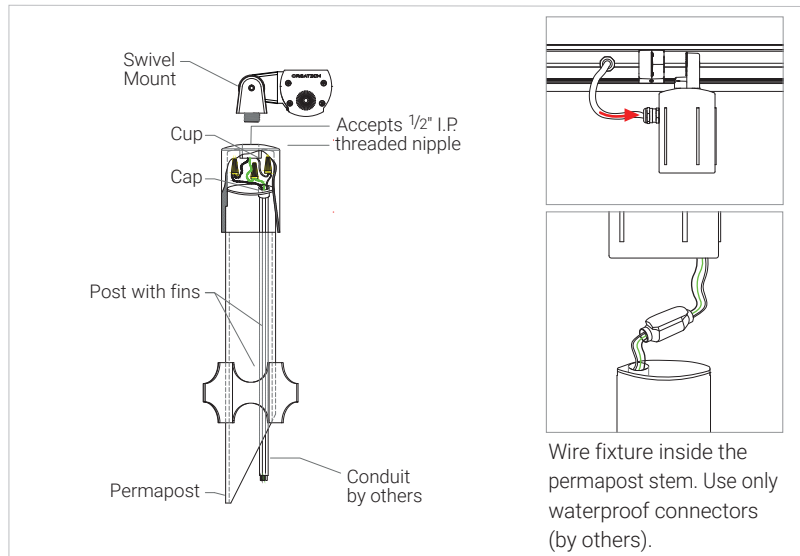
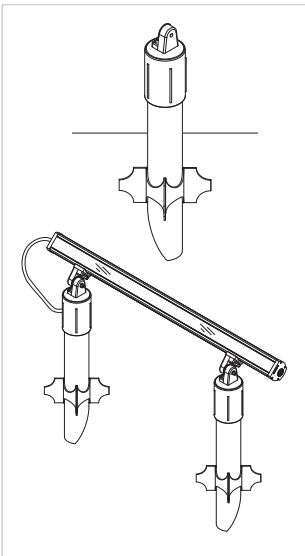
GLARE SHIELD

Minimizes a direct glare, while maintaining the LED output.

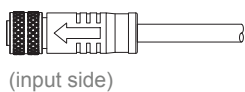


PERMAPOST

Provides easy at-grade installation. Includes swivel mount with 1/2" nipple. Fixture must be mounted at least 4" above ground level to avoid water accumulation.

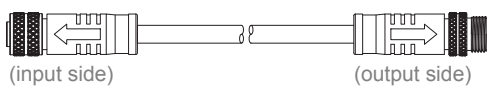


STARTER CABLE



(input side)

JUMPER CABLE



(input side)

(output side)

END CAP (output side)



PART #	DESCRIPTION
M12-SC-4FT	48" Starter Cable

PART #	DESCRIPTION
M12-JC-1FT	12" Jumper Cable
M12-JC-2FT	24" Jumper Cable
M12-JC-3FT	36" Jumper Cable
M12-JC-4FT	48" Jumper Cable

PART #	DESCRIPTION
M12-FC-ENDCAP	End Cap (output side)

*longer cable lengths available per request.

Specifications sheets are subject to change without notification.

CONTROLLERS

DRIVER ORDERING CHART IP67 Rated, 120V-277V in -24V out. 347V available upon request.

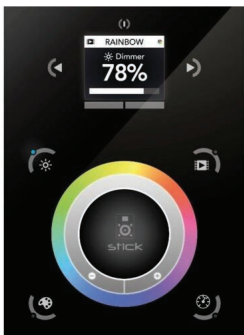
Make selections by filling out the top row to create part number. (Choose your wattage, dimming, & output voltage)

Part Number Example: BSD-40-CV-U-ND-N-MW-24V

BSD		CV	U	ND	N	MW	24V
	WATTAGE			DIMMING			OUTPUT VOLTAGE
	40			ND (NON DIMMING)			24V
	60						
	100						
	120						
	150						
	185						
	320						
	480						
	600						
	1000						
	1500*						
	2500*						

*1500W & 2500W rated for indoor use only

CONTROLLERS



- DMX Control Keypad DE3**
Touch Sensitive Intelligent Control Pad
- Sleek glass design
 - Color/dimmer/speed palette
 - Color temperature mixing
 - Touch sensitive wheel allows for accurate color selection
 - Multi-zone microSD memory
 - Multi-room control with 500 scenes, 10 zones
 - 1024 DMX channels. Control 340 RGB fixtures
 - USB & Ethernet connectivity for programming and control

- LINEARdrive DC Controller**
DMX/DALI/0-10V
- 4 Control Channels
 - Constant Voltage
 - 4X LED Outputs
 - Intuitive 3 Button User Interface
 - Full Color Lighting

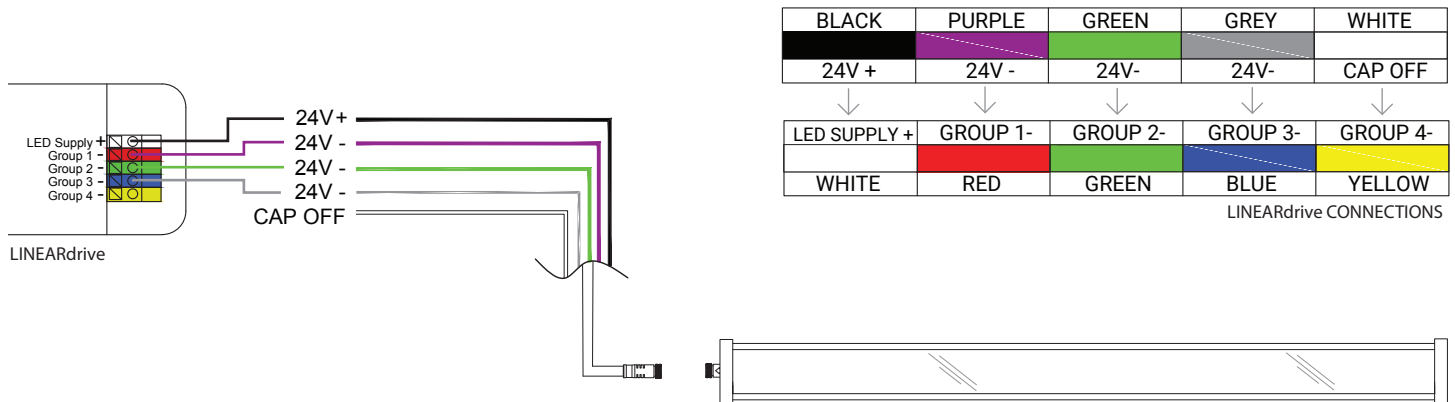


Part #	Description
011410	DMX Control Keypad DE3
011343	LINEARdrive DC 100W
011344	LINEARdrive DC 180W
011345	LINEARdrive DC 720W
011403	DINA DR1 DMX Controller

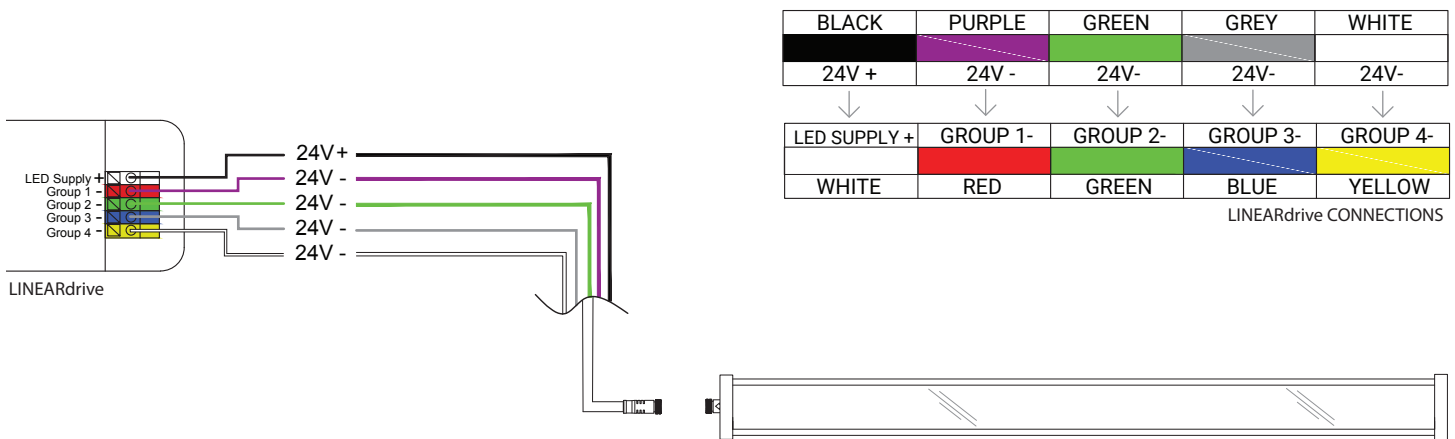
Specifications sheets are subject to change without notification.

ELECTRICAL DETAILS

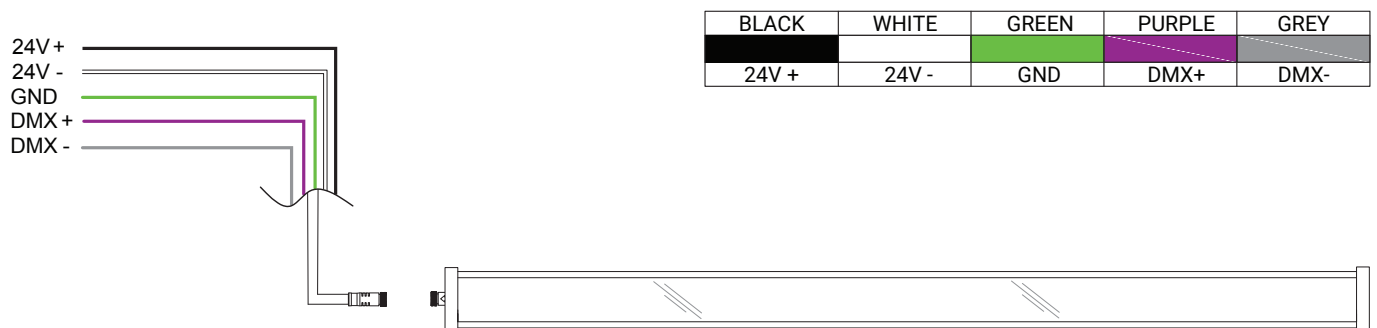
RGB 24V SYSTEM - PWM | 4 WIRE



RGB / RGBW 24V SYSTEM DMX | 5 WIRE

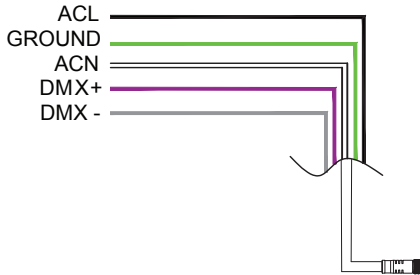


RGBW 24V SYSTEM - PWM | 5 WIRE



ELECTRICAL DETAILS

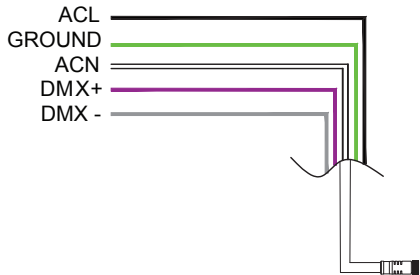
RGB / RGBW 120-277V DMX | 5 Wire



BLACK	WHITE	GREEN	PURPLE	GREY
ACL +	ACN -	GROUND	DMX +	DMX -



RGBW-P 110-277V DMX | 5 Wire



BLACK	WHITE	GREEN	PURPLE	GREY
ACL +	ACN -	GROUND	DMX +	DMX -

