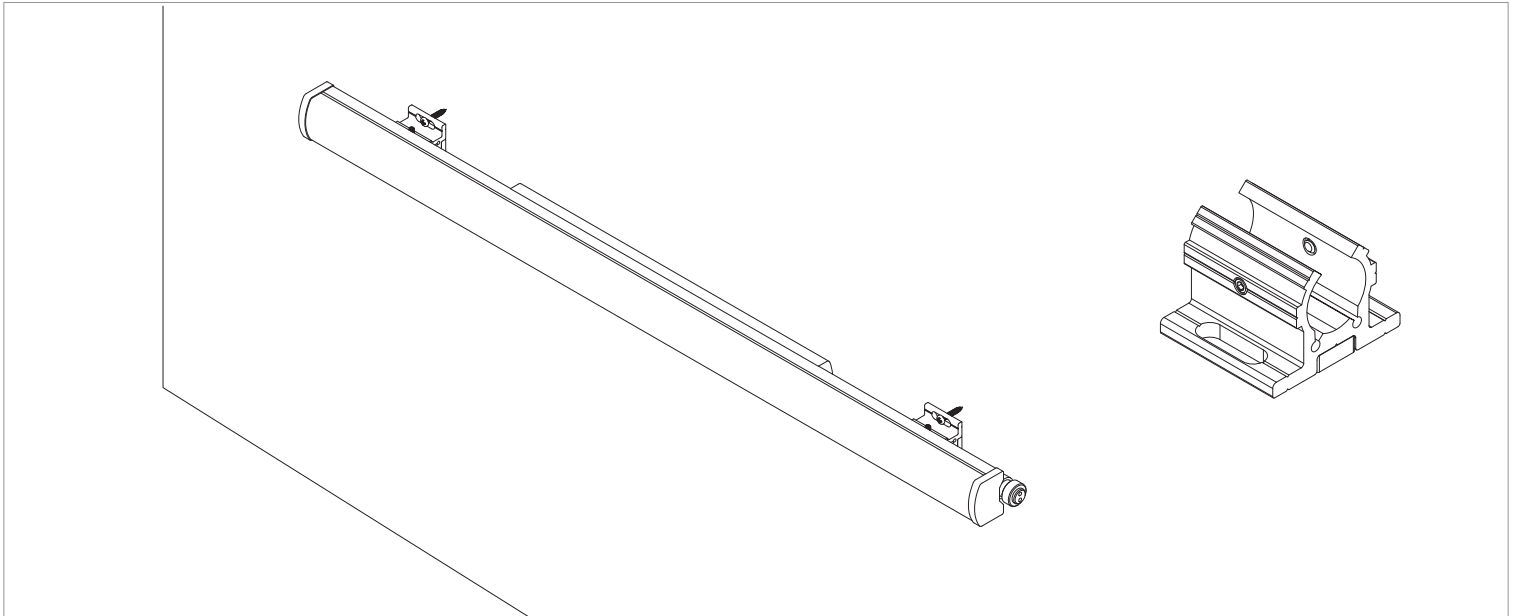


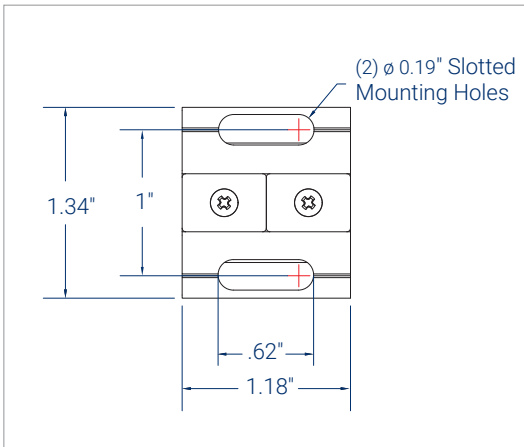


WARNING!

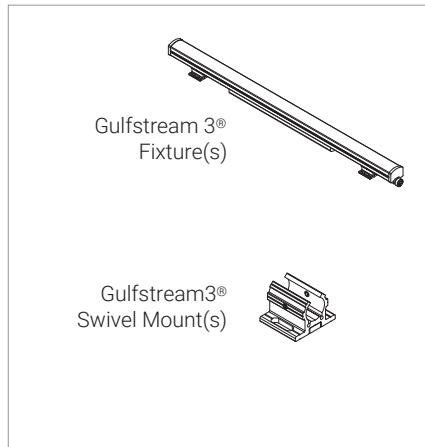
- READ THE PROVIDED INSTRUCTIONS PRIOR TO INSTALLING.
- INSTALLATION SHOULD BE CARRIED OUT BY QUALIFIED INSTALLERS.
- THE INSTALLER HAS THE FINAL RESPONSIBILITY FOR THE STRENGTH AND RIGIDITY OF THE WALL/CEILING STRUCTURE.
- A MINIMUM OF 2 PEOPLE REQUIRED WHEN INSTALLING LONG LENGTH FIXTURES.



MOUNT DIMENSIONS



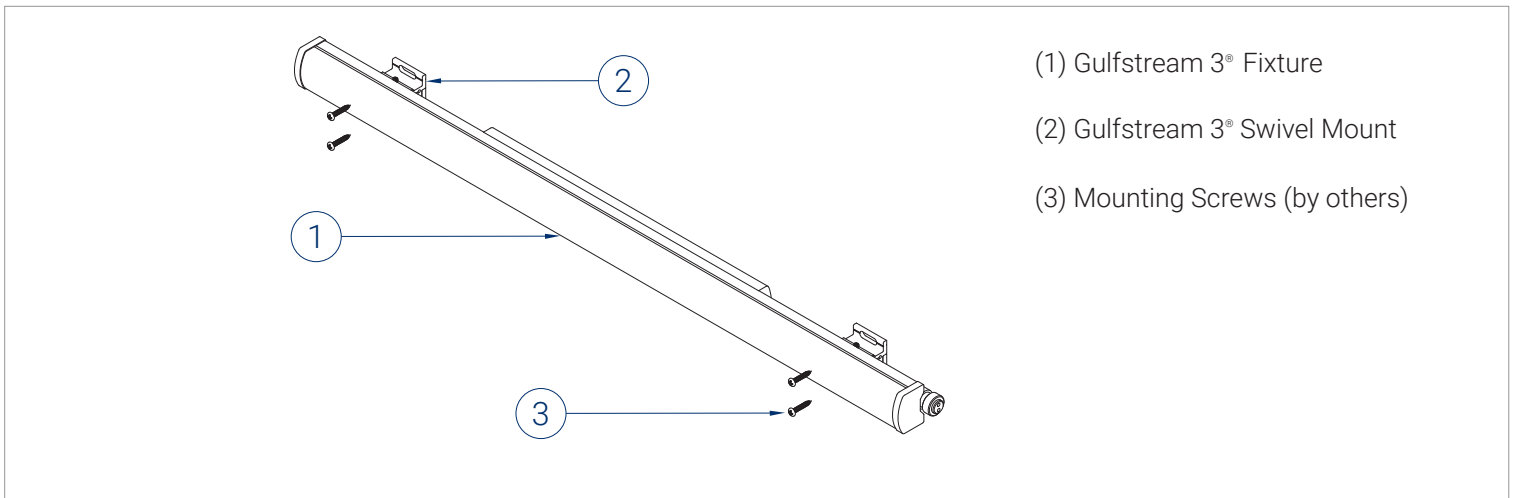
PACKAGE INCLUDES



ITEMS NEEDED (BY OTHERS)

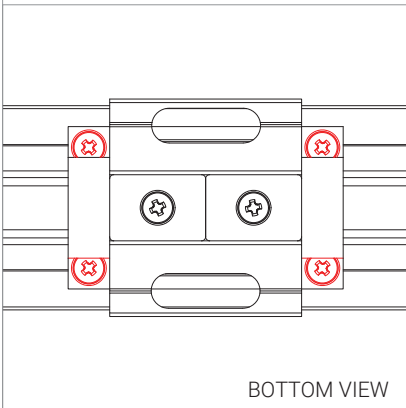
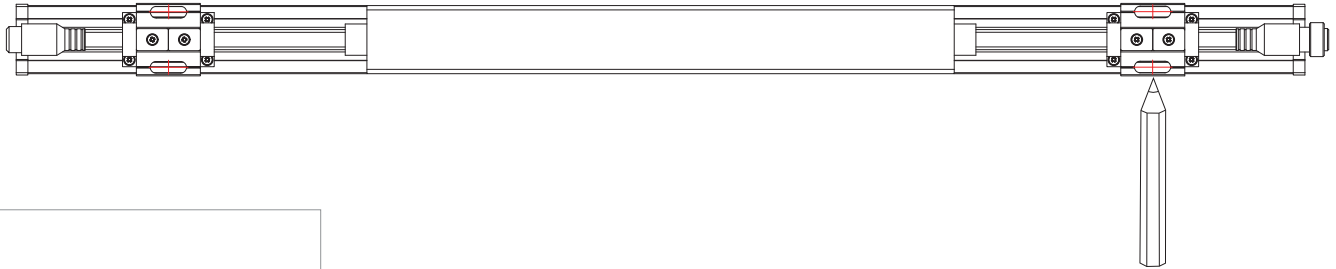


ISOMETRIC VIEW



1 MEASURE AND MARK

- MEASURE AND MARK SURFACE ACCORDING TO DESIRED SPACING.
- SWIVEL MOUNTS ARE MOVEABLE ACROSS THE FIXTURE. (SEE BELOW)



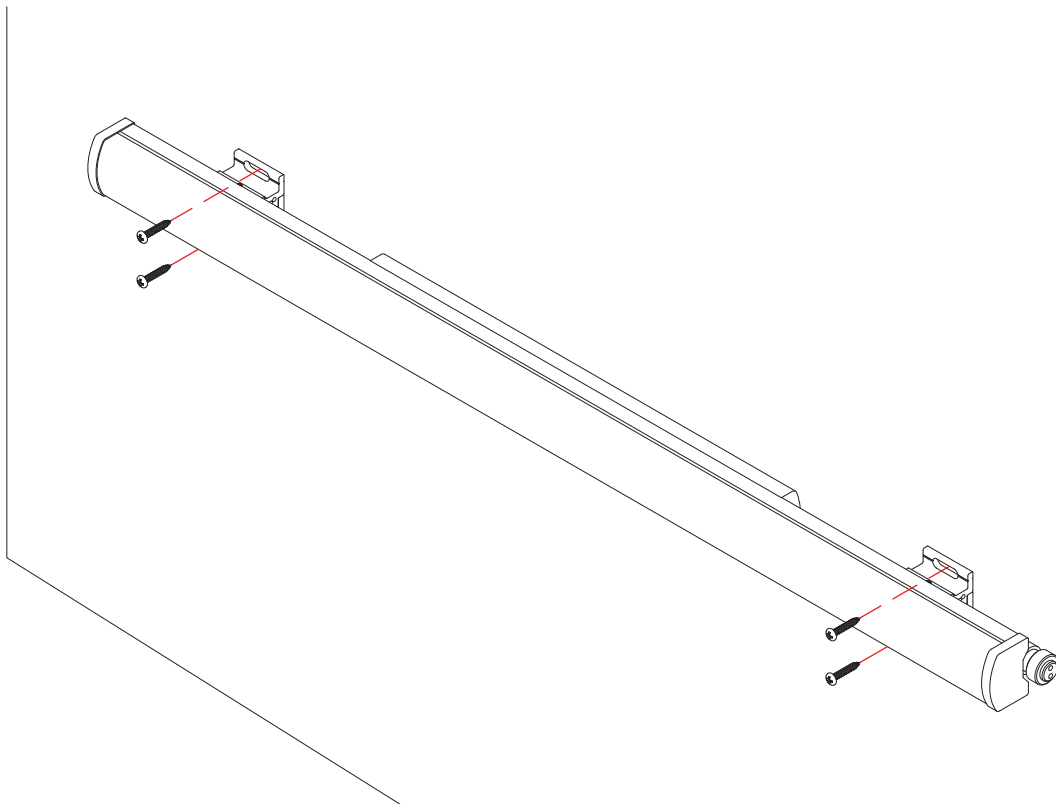
BOTTOM VIEW

- SWIVEL MOUNTS ARE MOVEABLE ACROSS THE FIXTURE.
- LOOSEN SWIVEL MOUNT SCREWS (HIGHLIGHTED IN RED).
 - MOVE SWIVEL MOUNT(S) TO DESIRED LOCATION.
 - TIGHTEN SWIVEL MOUNT SCREWS TO SECURE.

BOTTOM VIEW

2 MOUNT SWIVEL MOUNT(S) TO SURFACE

- USING MOUNTING SCREW(S) (BY OTHERS), MOUNT THE SWIVEL MOUNT(S) TO SURFACE UNTIL SECURE.



FRONT VIEW

3 SELECT DESIRED ANGLE, THEN SECURE

- LOOSEN SET SCREW(S), THEN TILT FIXTURE TO DESIRED ANGLE.
- ONCE SET, RETIGHTEN SET SCREWS TO SECURE.

