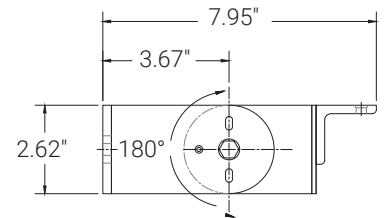
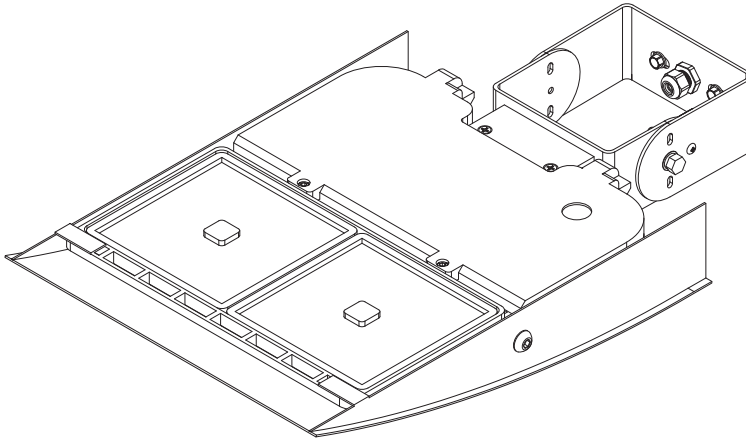




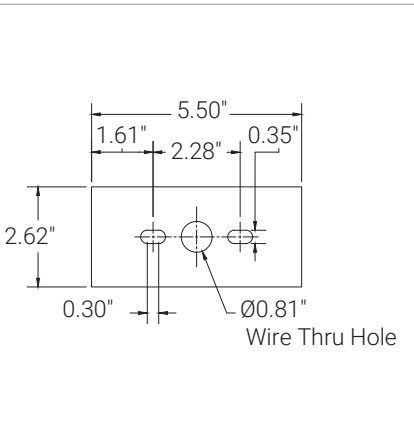
WARNING!

- READ THE PROVIDED INSTRUCTIONS PRIOR TO INSTALLING.
- INSTALLATION MUST BE CARRIED OUT BY QUALIFIED INSTALLERS.
- THE INSTALLER HAS THE FINAL RESPONSIBILITY FOR THE STRENGTH AND RIGIDITY OF THE WALL/CEILING STRUCTURE.
- A MINIMUM OF 2 PEOPLE REQUIRED WHEN INSTALLING LONG LENGTH FIXTURES.

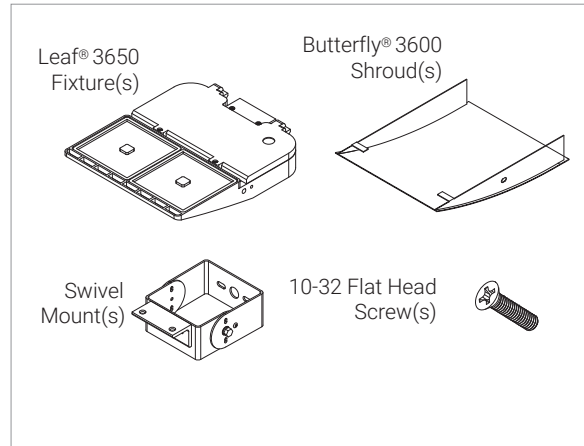


LUMINAIRE SHOWN AS AN UPLIGHT

MOUNT DIMENSIONS



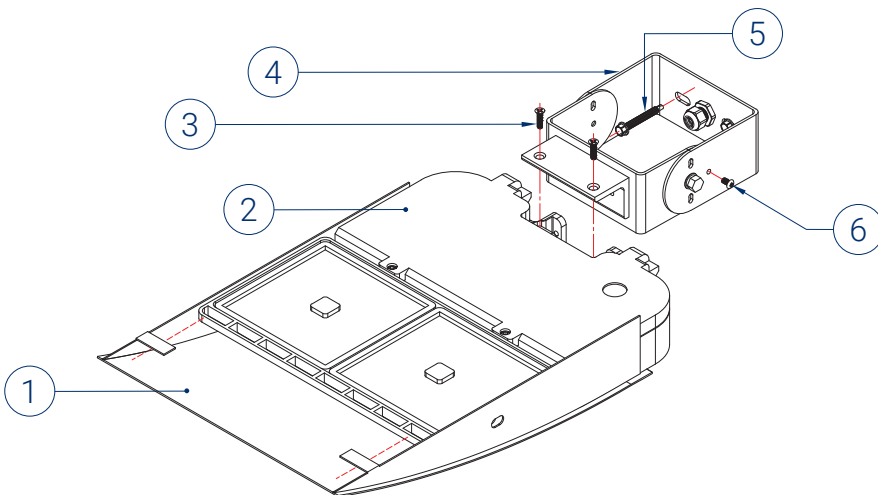
PACKAGE INCLUDES



ITEMS NEEDED (BY OTHERS)



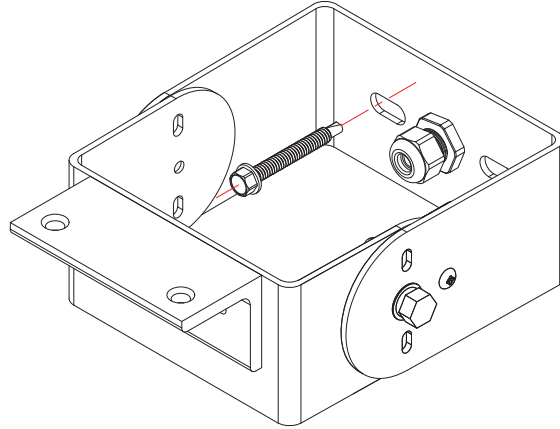
ISOMETRIC / EXPLODED VIEW



- (1) Butterfly® 3600 Shroud
- (2) Leaf® 3650 Fixture
- (3) 10-32 Flat Head Screws (Provided)
- (4) Swivel mount
- (5) 5/16" Screws (Per Installer)
- (6) Screws for Angle Adjusting

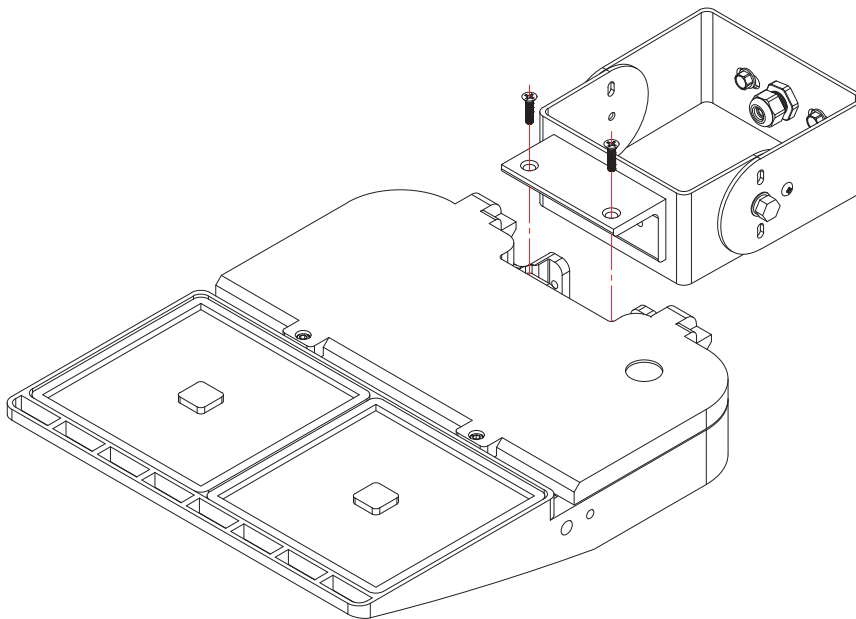
1 FIX SWIVEL MOUNT TO WALL

- FIX THE SWIVEL MOUNT TO THE WALL USING 5/16" SCREWS (PER INSTALLER).



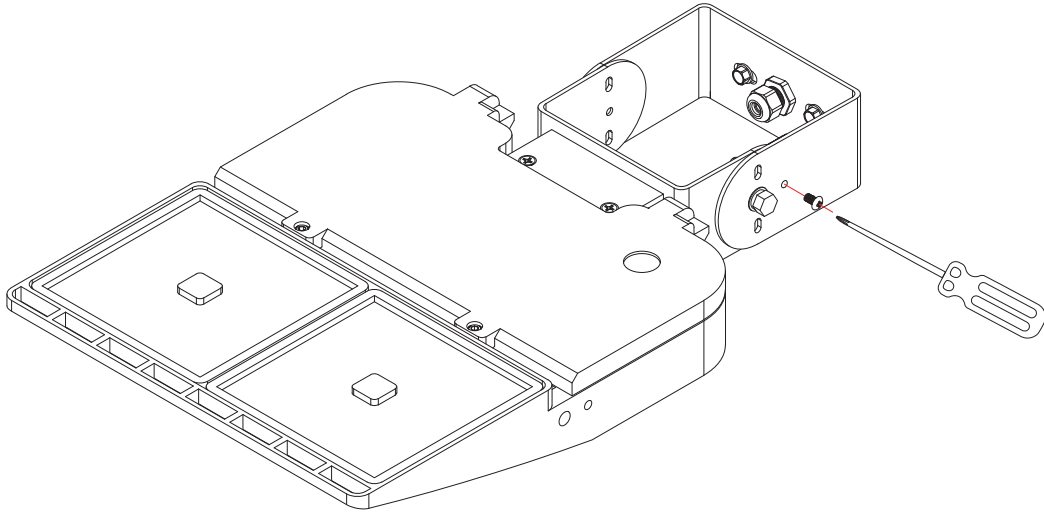
2 MOUNT FIXTURE TO SWIVEL MOUNT

- MOUNT FIXTURE TO SWIVEL MOUNT USING 10-32 FLAT HEAD SCREWS (PROVIDED).



3 SELECT DESIRED ANGLE

- ROTATE AND TILT THE FIXTURE INTO DESIRED DEGREE ANGLE (90 DEGREE TILT OPTIONS) AND TIGHTEN SCREWS.

**4 ATTACH SHROUD TO FIXTURE**

- PLACE THE INSIDE LIP OF THE SHROUD ON THE FRONT TOP OF THE FIXTURE.
- SECURE BY TIGHTENING SCREWS ON BOTH SIDES OF SHROUD.

