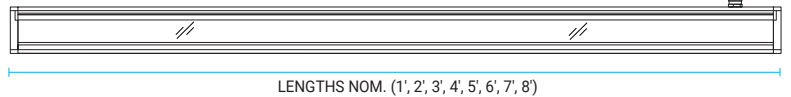
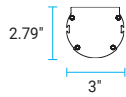


# Architura 1400

## Linear Wallwash LED

120-277VAC



Project
Date

LS 3.5W/ft	Delivered Output	Watts
1ft	273lm	3.5w
2ft	546lm	7w
3ft	819lm	10.5w
4ft	1092lm	14w
5ft	1365lm	17.5w
6ft	1638lm	21w
7ft	1911lm	24.5w
8ft	2184lm	28w

LH 4.5W/ft	Delivered Output	Watts
1ft	351lm	4.5w
2ft	702lm	9w
3ft	1053lm	13.5w
4ft	1404lm	18w
5ft	1755lm	22.5w
6ft	2106lm	27w
7ft	2457lm	31.5w
8ft	2808lm	36w

LEH 6.7W/ft	Delivered Output	Watts
1ft	523lm	6.7w
2ft	1046lm	13.4w
3ft	1559lm	20.1w
4ft	2029lm	26.8w
5ft	2615lm	33.5w
6ft	3138lm	40.2w
7ft	3661lm	46.9w
8ft	4184lm	53.6w

### DESCRIPTION

High performance linear wallwash luminaire. Stand alone or connectable in runs up to 295ft with thru-wiring. Lens options enable grazing or long throw, and increase peak lumen output up to five times for high illuminance and improved energy efficiency. Select 30° or 45° lensing for optimum performance and aiming when installing 6in to 4ft off the illuminated surface. Cool running fixtures endure extreme climates. Perfect for facade and landscape applications, with unparalleled uniformity.

### FEATURES

<b>Construction</b>	Powder coated aluminum fixtures. Polycarbonate lenses.
<b>Length (nom.)</b>	1ft, 2ft, 3ft, 4ft, 5ft, 6ft, 7ft, 8ft
<b>Weight</b>	2.5lbs/ft
<b>White CCT</b>	2700K, 3000K, 3500K, 4000K, 5000K
<b>Dimming</b>	Non-dimming, 0-10V Dimming, Forward Phase(TRIAC), Reverse Phase(ELV)
<b>Optics</b>	15°, 30°, 45°, 120°
<b>Mounting</b>	Swivel Mount, Extended Arm, Sliding Bracket, Hub Bracket, & Permapost
<b>Finish</b>	Powder Coated White, Black, Bronze, Silver, Custom

### PERFORMANCE

<b>Electrical</b>	120-277V AC, Row Interconnection or Daisy Chain with input/output IP67 Jumper Cables.
<b>LED Wattage</b>	LS 3.5W/ft (273lm/ft) / LH 4.5W/ft (351lm/ft) / LEH 6.7W/ft (523lm/ft)
<b>Max Run</b>	295ft
<b>Environment</b>	Wet Location - IP65. Operating Temperature - 22°F to 122°F
<b>Warranty</b>	5 yr / 50,000 hour limited warranty
<b>CRI</b>	93+
<b>Certifications</b>	UL Listed

\*based on 30° optics

**ORDERING GUIDE** Make selections by filling out the top row or highlighting options.

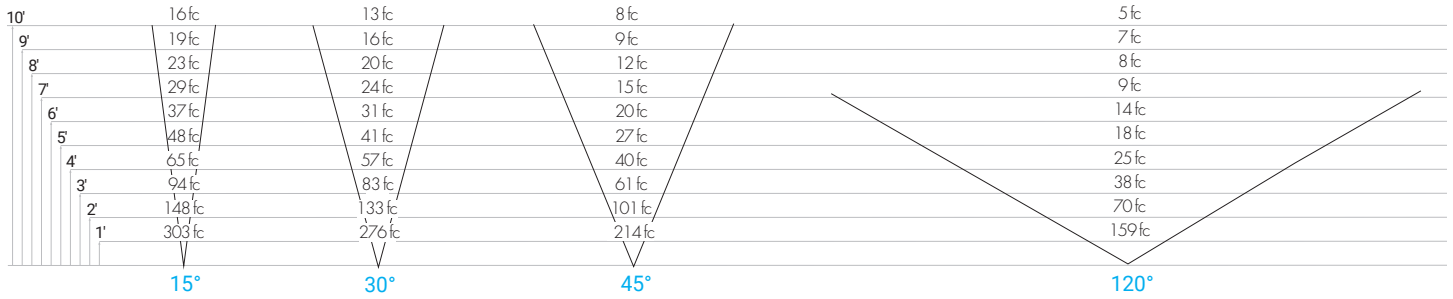
1400									
SERIES	LENGTH	OUTPUT	CCT	VOLTAGE	CONTROL	OPTICS	MOUNTING	FINISH	ACCESSORY
1400	1 1'nom 2 2'nom 3 3'nom 4 4'nom 5 5'nom 6 6'nom 7 7'nom 8 8'nom Rx ROWx (x=length)	LS STANDARD LH HIGH LEH EXTRA HIGH	27 2700K 30 3000K 35 3500K 40 4000K 50 5000K	U 120-277V	ND NON DIMMING D1 0-10V DIMMING TRI FORWARD PHASE ELV REVERSE PHASE	15 15° 30 30° 45 45° 120 120°	SW SWIVEL MOUNT SB SLIDING BRACKET HBx HUB BRACKET (x=length)	WH WHITE BL BLACK BZ BRONZE SO SILVER CU CUSTOM	B BLADE LOUVER G GLARE SHIELD P PERMAPOST Ax EXTENDED ARM (x=length) M MARINE GRADE FINISH 2 NATATORIUM N NONE

Specifications sheets are subject to change without notification.

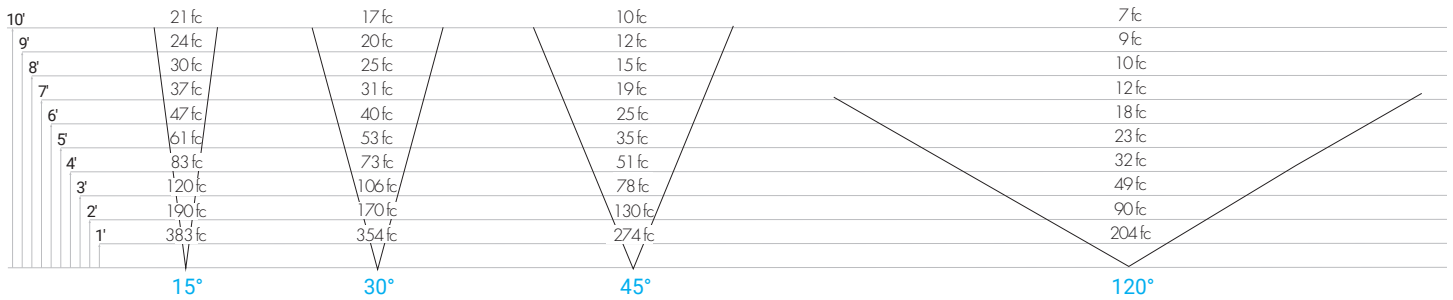
## PHOTOMETRICS AND OPTICS

Aiming fixtures with the lens options shown enable perfect asymmetric performances to meet the needs of any wallwashing project. Combining easy specification with easy aiming for long throw with even, shadowless distribution.

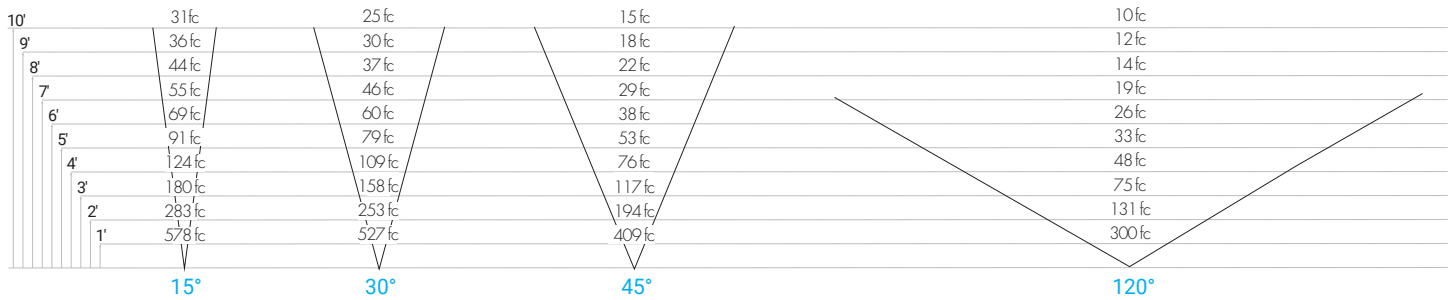
### PHOTOMETRIC DATA - LS 3.5W/ft (based off 4ft fixture)



### PHOTOMETRIC DATA - LH 4.5W/ft (based off 4ft fixture)



### PHOTOMETRIC DATA - LEH 6.7W/ft (based off 4ft fixture)

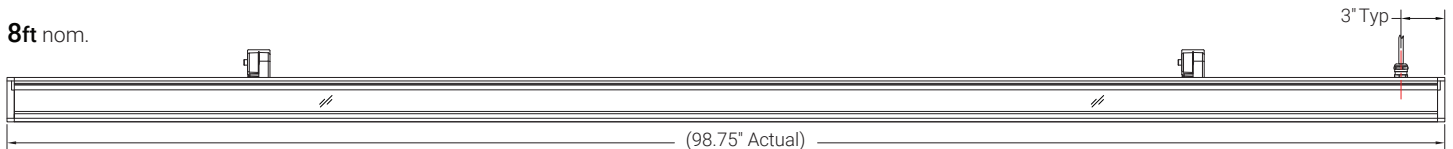
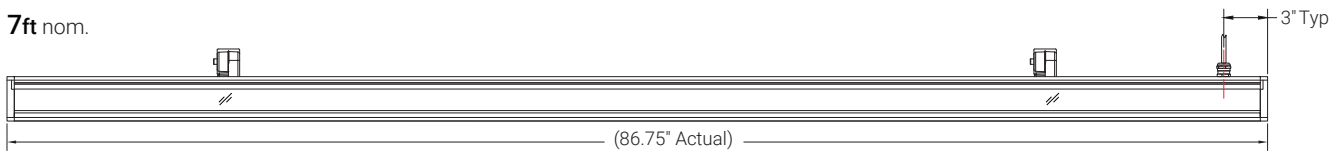
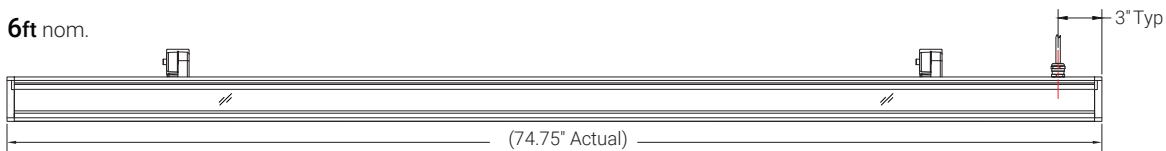
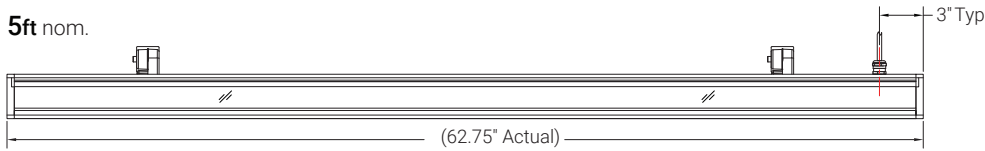
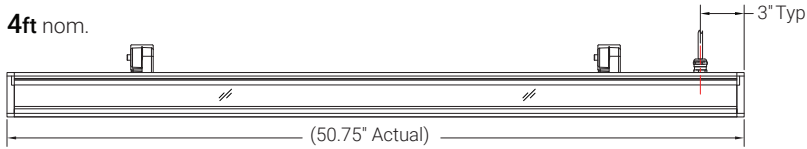
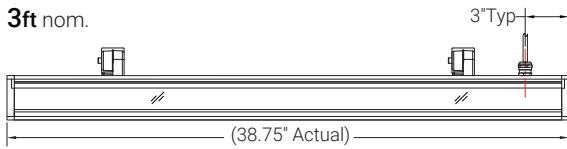
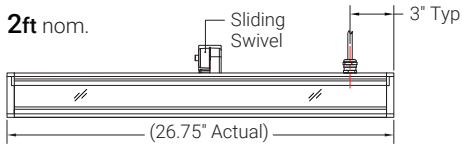
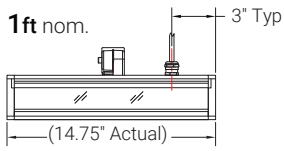


## OPTICS



Specifications sheets are subject to change without notification.

## FIXTURE SIZES



### FINISHES (POWDER COATED)



WHITE



BLACK



BRONZE



SILVER

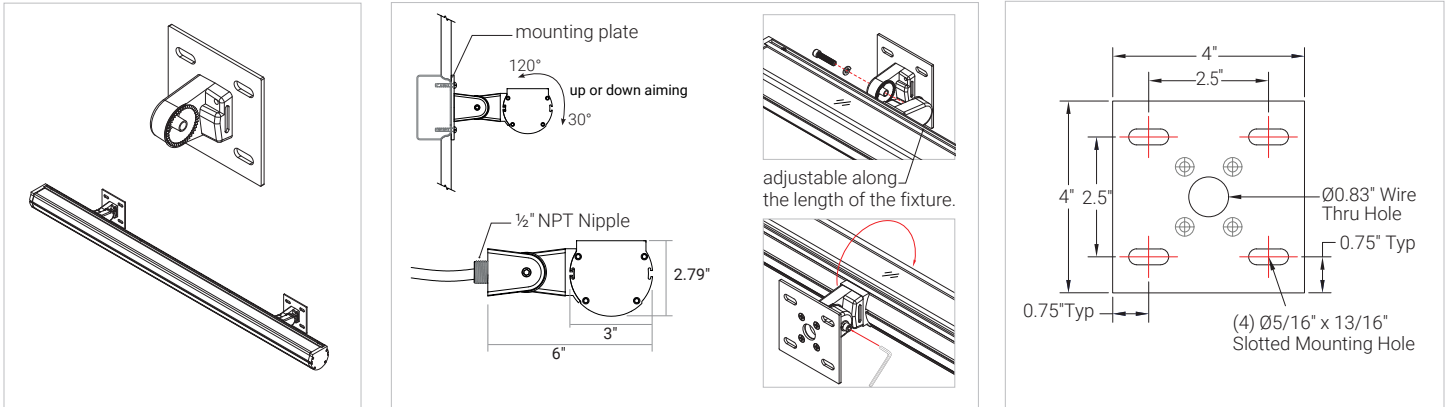


CUSTOM

## MOUNTING INSTALLATION

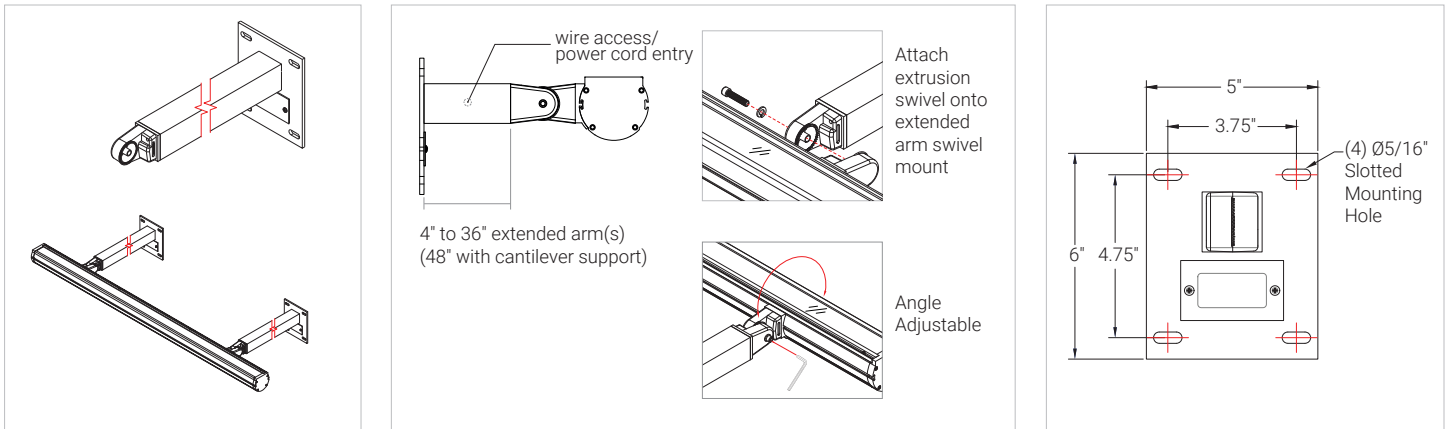
### SWIVEL MOUNT

A heavy duty adjustable swivel mount with mounting plate. Weatherproof cord exits 3" from the back right end of individual fixtures with the lens in the up position. 1/2" nipple (can be specified) mounts directly to weatherproof canopies.



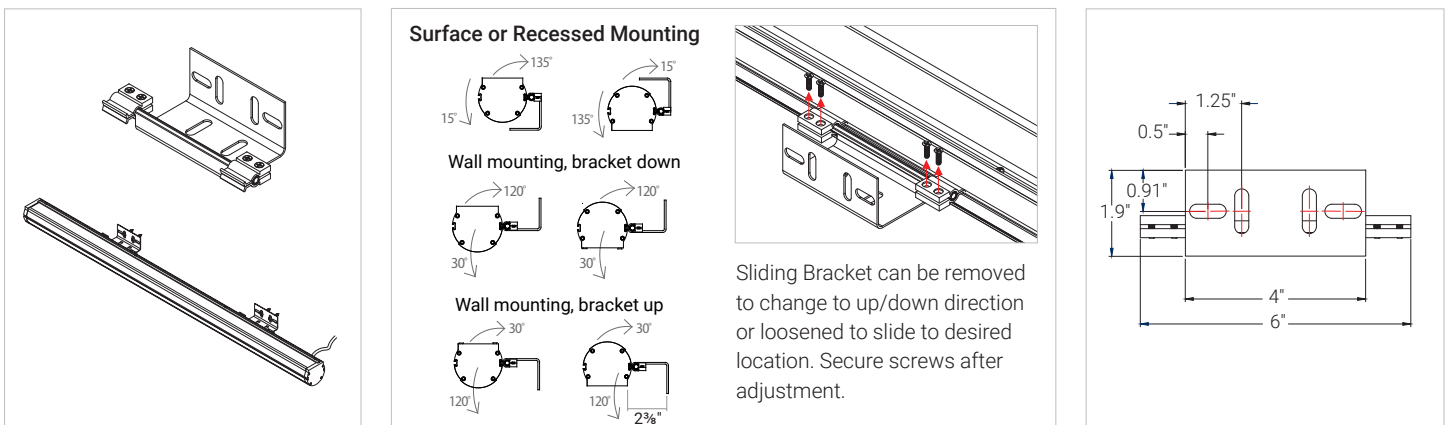
### EXTENDED ARM

With swivel mount, extended arm is available in 4"-36" lengths. Power cords can be routed through arms, exiting close to the wall to connect to an adjacent j-box or other power outlet, providing a tidy installation.



### SLIDING BRACKET

Surface mounts in position with 1/4" screws (not supplied). Fixtures 4ft + require two brackets. (Rows with Hubs - one bracket per fixture.)



## MOUNTING INSTALLATION

### HUB BRACKET

Heavy duty mounting arm with a choice of 4"-36" length used for row mounting of multiple fixtures. Locking set screws and fixture alignment brackets to secure fixtures after aiming included.

Mount Fixtures to hub brackets one at a time, starting with ender fixture into Hub Bracket(1).

After inserting fixture to (1), slide the hub bracket (2) to secure the fixture. Secure screws on hub bracket(2). Repeat.

**Optional locking bracket:**  
Secures fixtures at connecting points. 2.75" long slides into the channel and secures with two screws at the base. For swivel mounting, locking bracket will be on the cord grip side of the fixture.

(2) Slotted Mounting Holes for  $\phi$  1/4" screws

**BOTTOM VIEW**  
Secure fixture angle by inserting and locking set screw(s).

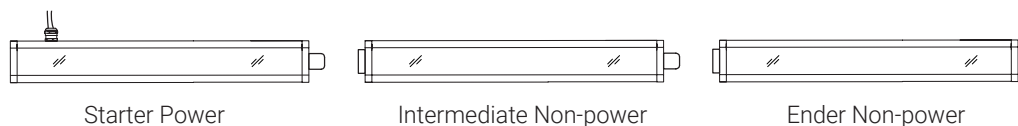
## ROW MOUNTING

Row mounting available with swivel mount, sliding brackets, hub brackets, permaposts or extended arms. Mounted fixtures include patented tool-less, IP67 wire through connection system. Rotating waterproof Hubs solve the problem of aiming connected rows. 18" weatherproof cord exits 3" from the right end back of a fixture row with the lens in the upright position. When fixtures are inverted aiming down, the cord will be on the left. 5 pin Quick connectors ensure simple installation for color control or DMX.

Row Mounting shown as **uplight**



Row Mounting shown as **downlight**



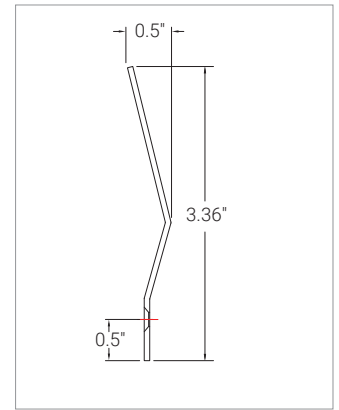
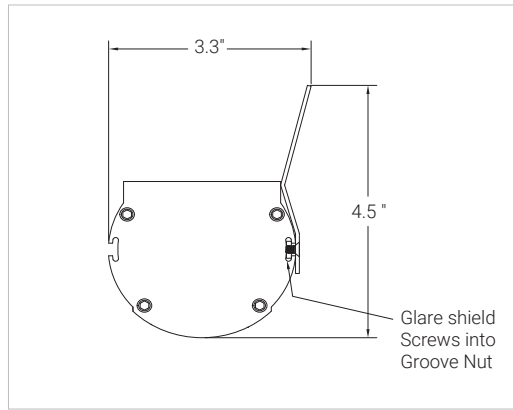
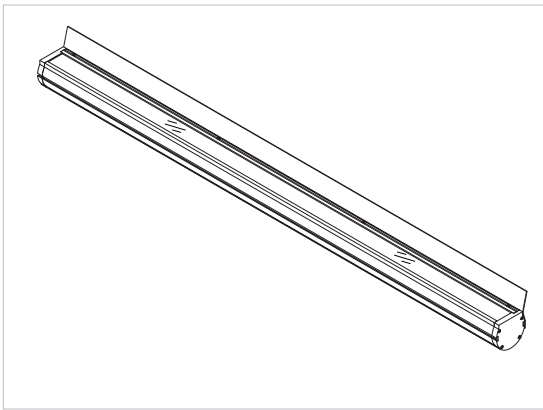
NOTE: Add 1/2" to each fixture length when interconnecting fixture rows.

Specifications sheets are subject to change without notification.

## ACCESSORIES

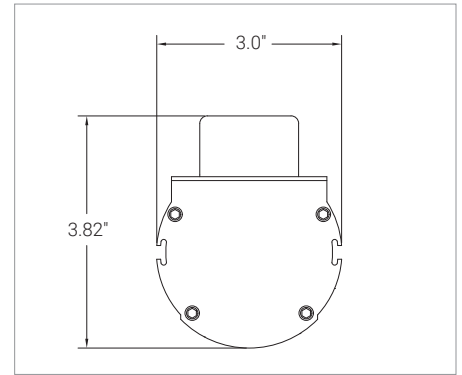
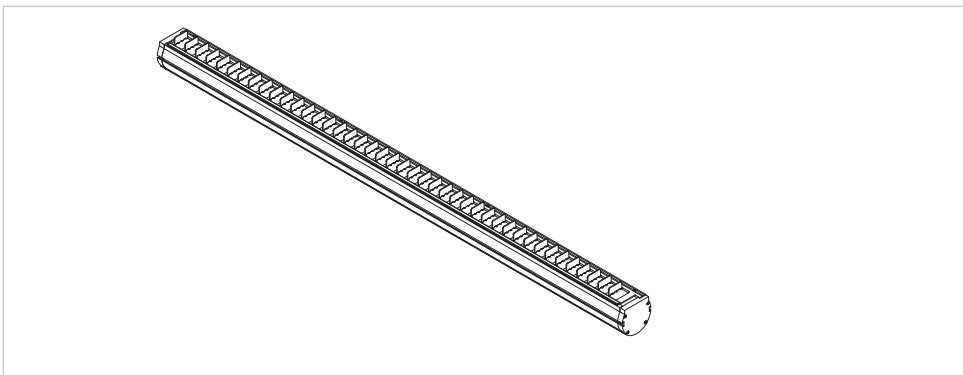
### GLARE SHIELD

Minimizes a direct glare, while maintaining the LED output.



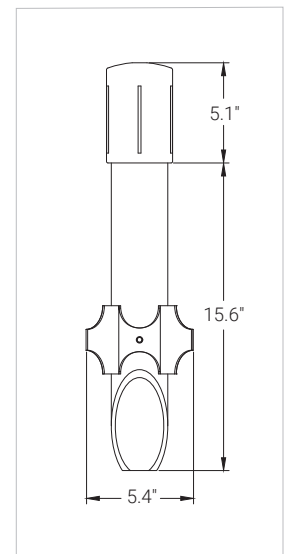
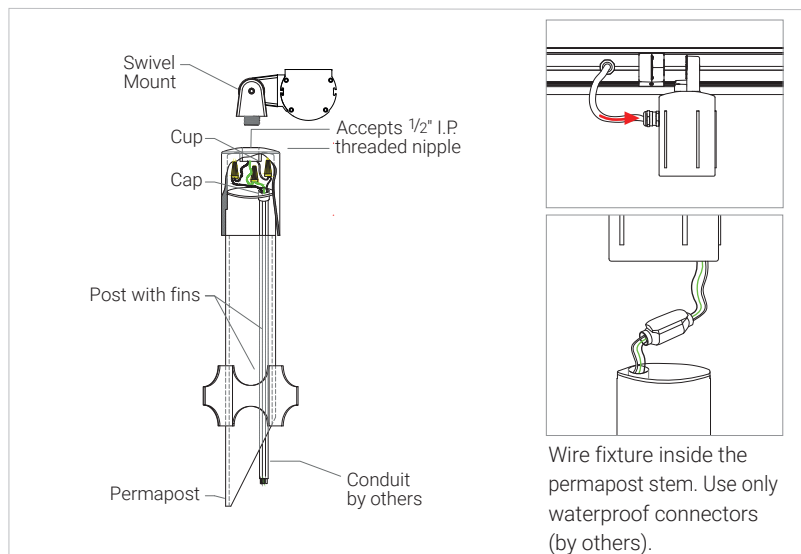
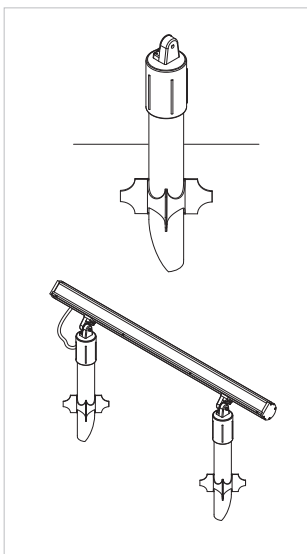
### BLADE LOUVER

Minimizes a horizontal glare, while maintaining the LED output.



### PERMAPOST

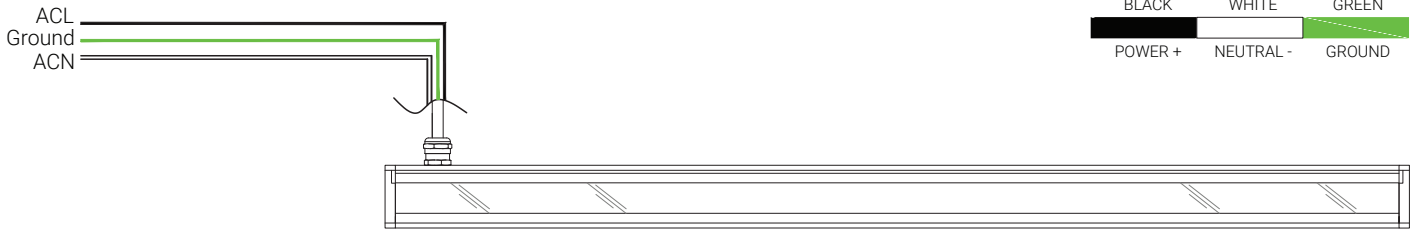
Provides easy at-grade installation. Includes swivel mount with 1/2" nipple. Fixture must be mounted at least 4" above ground level to avoid water accumulation.



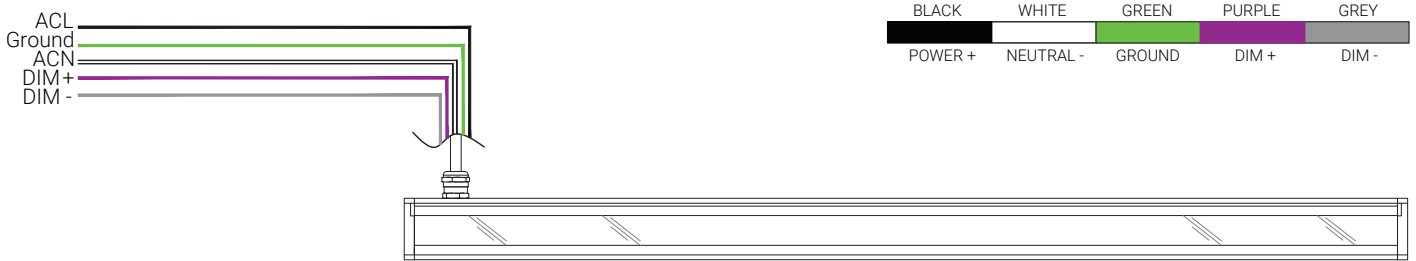
Specifications sheets are subject to change without notification.

## ELECTRICAL DETAILS

### Non-Dimming | 3 Wire

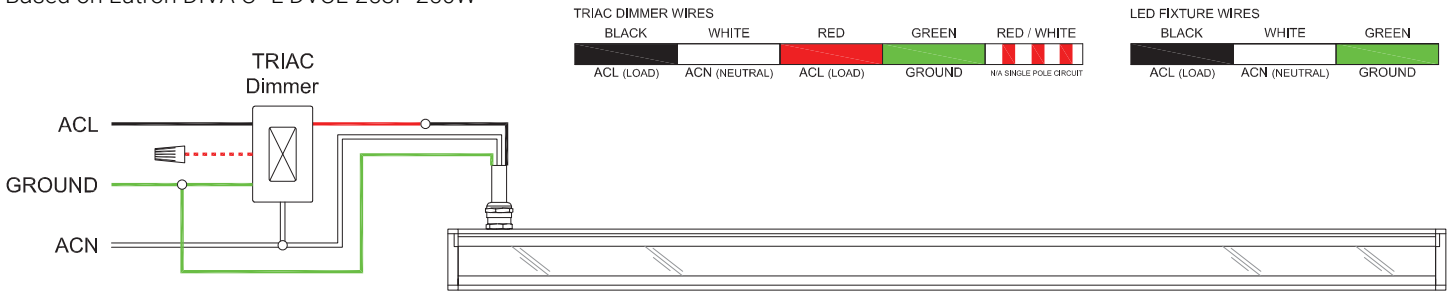


### 0-10V Dimming | 5 Wire



### TRIAC | Forward Phase | 3 Wire

Based on Lutron DIVA C•L DVCL-253P 250W



### ELV | Reverse Phase | 3 Wire

Based on Lutron DIVA DVRP-253P 250W & Lutron DIVA DVELV-303P-WH 300W

