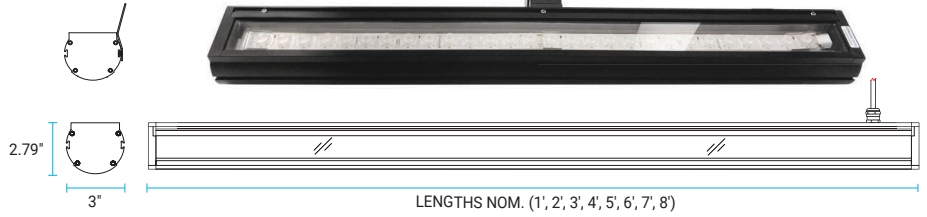


# Architura 1400 RGB & RGBW

## Color Programmable Wallwash LED

24V DC | 120-277V AC | IP65



Project
Date



RGB 2.7 w/ft	Delivered Output	Watts
1ft	120lm	2.7w
2ft	240lm	5.4w
3ft	360lm	8.1w
4ft	480lm	10.8w
5ft	600lm	13.5w
6ft	720lm	16.2w
7ft	840lm	18.9w
8ft	960lm	21.6w

RGBW 5.8 w/ft	Delivered Output	Watts
1ft	270lm	5.8w
2ft	540lm	11.6w
3ft	810lm	17.4w
4ft	1080lm	23.2w
5ft	1350lm	29w
6ft	1620lm	34.8w
7ft	1890lm	40.6w
8ft	2160lm	46.4w

\*based on 24V

### DESCRIPTION

High performance linear wallwash luminaire. Stand alone or connectable in runs up to 200ft with thru-wiring. Lens options enable grazing, and increase peak lumen output up to five times for high illuminance and improved energy efficiency. 45° lensing for optimum performance and aiming when installing 6in to 4ft off the illuminated surface. Cool running fixtures endure extreme climates. Perfect for facade and landscape applications, with unparalleled uniformity and vibrant colors.

### FEATURES

<b>Construction</b>	Powder coated aluminum fixtures. Polycarbonate lenses.
<b>Length (nom.)</b>	1ft, 2ft, 3ft, 4ft, 5ft, 6ft, 7ft, 8ft
<b>Weight</b>	2.5lbs/ft
<b>CCT</b>	RGB, RGBW
<b>Control</b>	PMW / DMX w/ RDM
<b>Optics</b>	45°, 120°
<b>Mounting</b>	Swivel Mount, Extended Arm, Sliding Bracket, Hub Bracket, & Permapost
<b>Finish</b>	Powder Coated White, Black, Bronze, Silver, Custom

### PERFORMANCE

<b>Electrical</b>	24V Single Connection, Row Interconnection or Daisy Chain with input/output IP67 Jumper Cables.
<b>LED Wattage</b>	24V: RGB-2.7W/FT/ RGBW-5.8W/FT; U: RGB-3.1W/FT/RGBW-6.7W/FT
<b>Max Run</b>	24V- 20ft   120V- 80ft   240V- 140ft   277V- 200ft   347V available upon request
<b>Environment</b>	Wet Location - IP65. Operating Temperature - 22°F to 122°F
<b>Warranty</b>	5 yr/ 50,000 hour limited warranty
<b>CRI</b>	93+
<b>Certifications</b>	UL Listed

**ORDERING GUIDE** Make selections by filling out the top row or highlighting options.

1400	SERIES	LENGTH	OUTPUT	CCT	VOLTAGE	CONTROLS	OPTICS	MOUNTING	FINISH	ACCESSORY
1400	1 1'nom 2 2'nom 3 3'nom 4 4'nom 5 5'nom 6 6'nom 7 7'nom 8 8'nom Rx ROWx (x=length)	LS STANDARD	RGB RGB RGBW RGBW	24V 24V DC U 120-277V	PWM PWM DMX DMX W/ RDM	45 45° 120 120°	SW SWIVEL MOUNT Ax EXTENDED ARM (x=length) SB SLIDING BRACKET HBx HUB BRACKET (x=length)	WH WHITE BL BLACK BZ BRONZE SO SILVER CU CUSTOM	B BLADE LOUVER G GLARE SHIELD P PERMAPOST M MARINE GRADE FINISH 2 NATATORIUM N NONE	

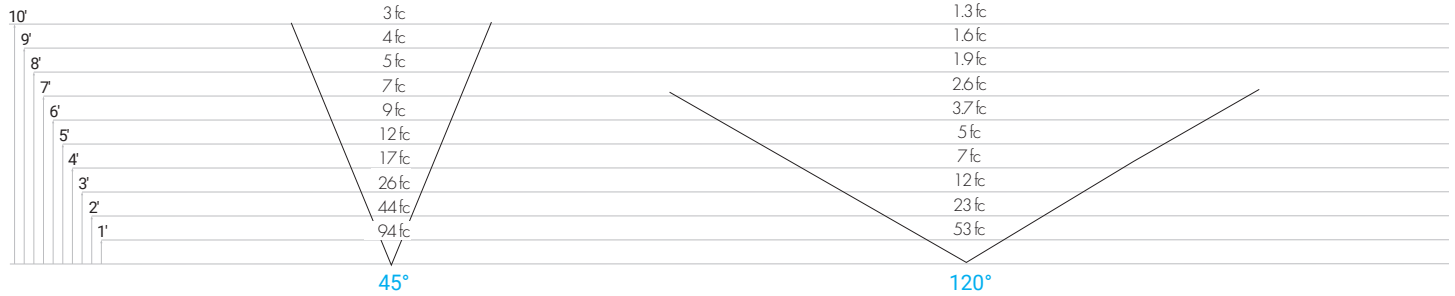
Specifications sheets are subject to change without notification.



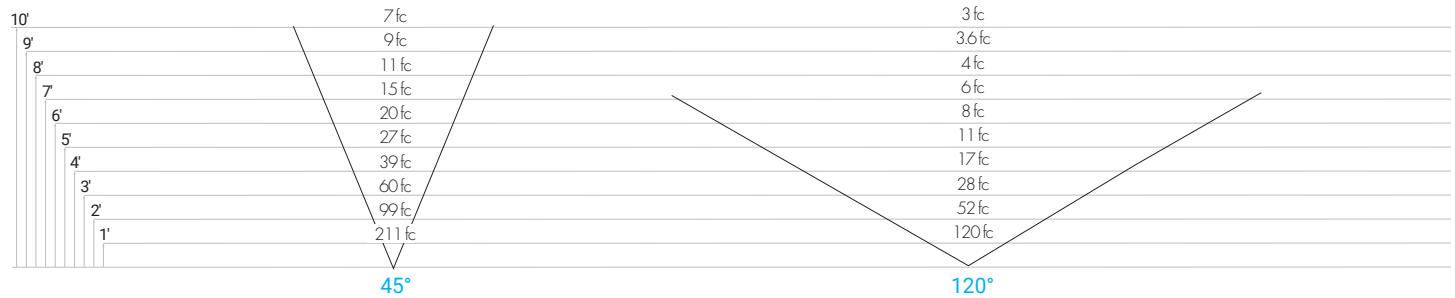
## PHOTOMETRICS AND OPTICS

Aiming fixtures with the lens options shown enable perfect asymmetric performances to meet the needs of any wallwashing project. Combining easy specification with easy aiming for long throw with even, shadowless distribution.

### PHOTOMETRIC DATA - LS RGB 2.7W/ft (based off 4ft fixture)



### PHOTOMETRIC DATA - LS RGBW 5.8W/ft (based off 4ft fixture)

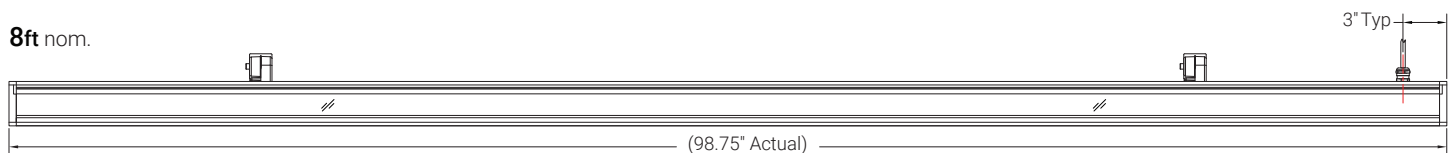
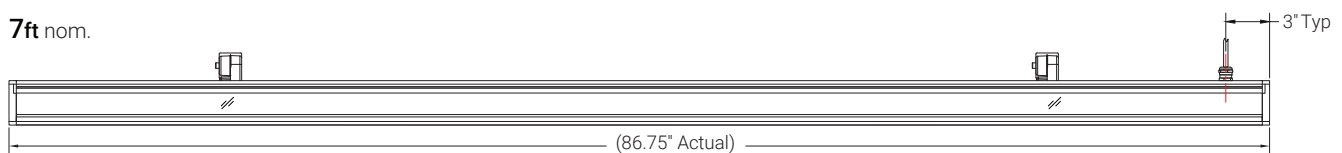
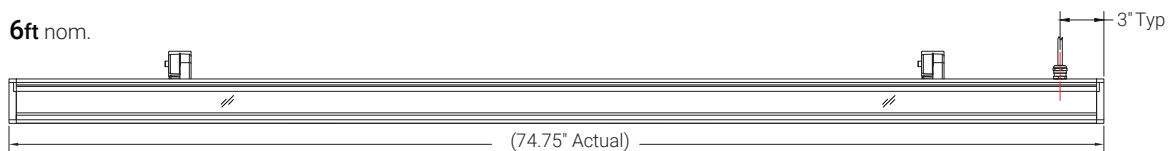
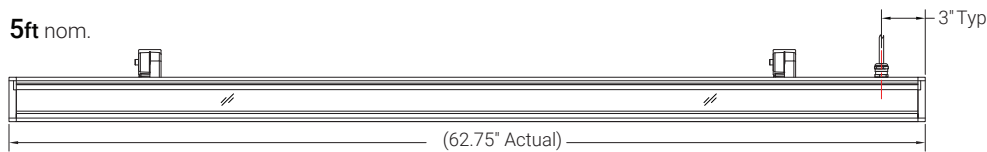
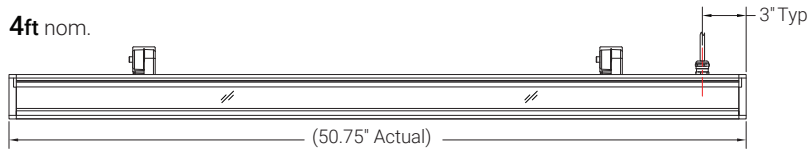
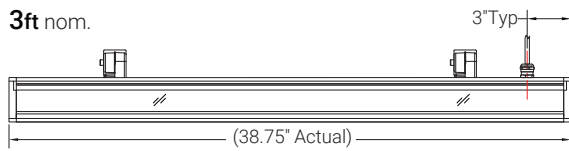
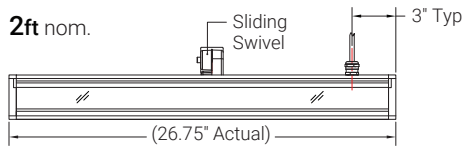
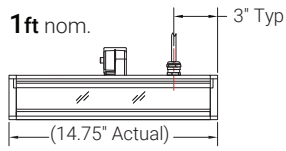


## OPTICS



# Architura® 1400 RGB & RGBW

## FIXTURE SIZES



### FINISHES (POWDER COATED)



WHITE



BLACK



BRONZE



SILVER

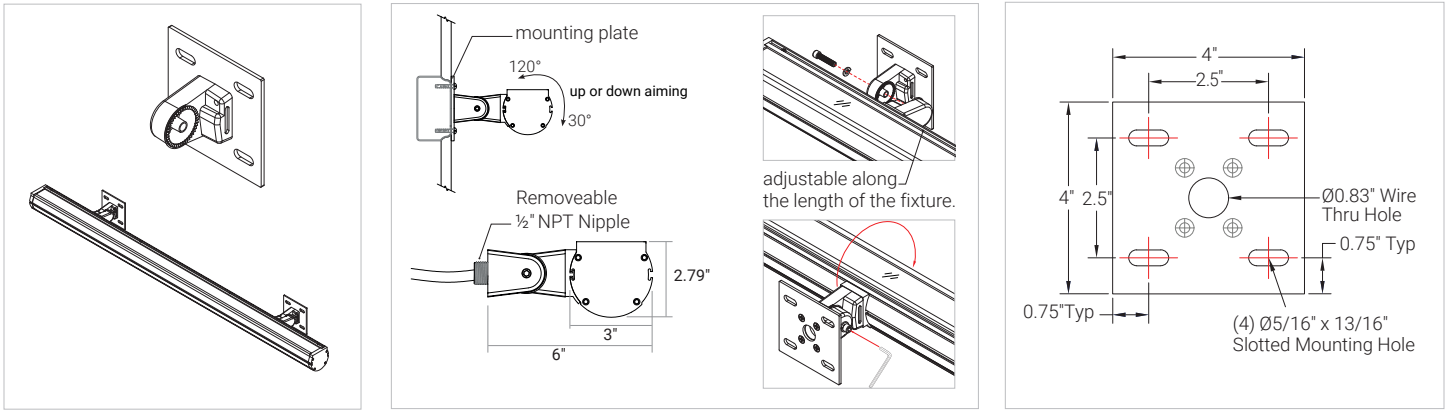


CUSTOM

## MOUNTING INSTALLATION

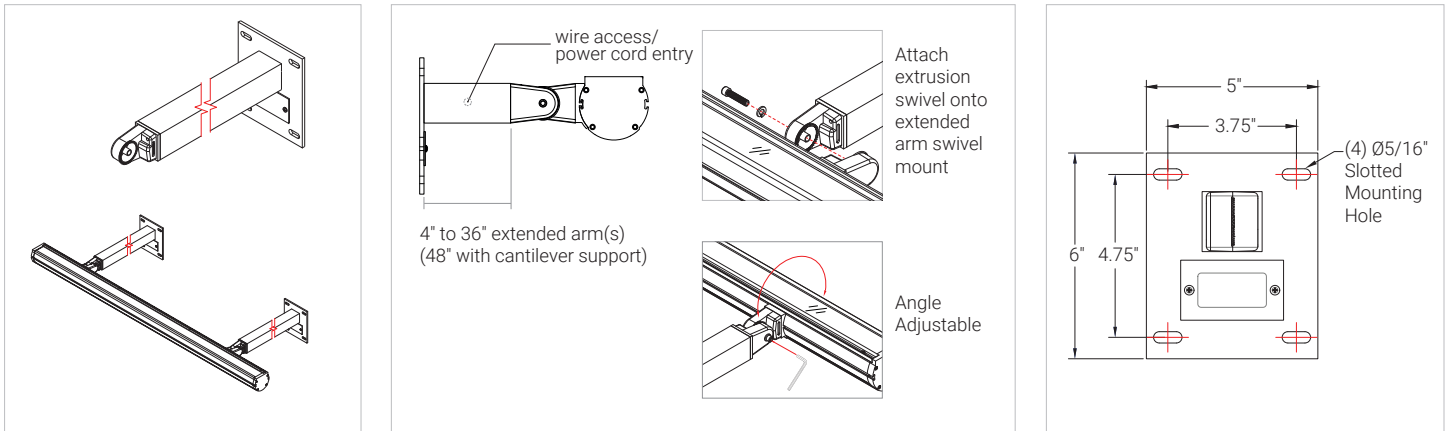
### SW Swivel Mount

A heavy duty adjustable swivel mount with mounting plate. Weatherproof cord exits 3" from the back right end of individual fixtures with the lens in the up position. 1/2" nipple (can be specified) mounts directly to weatherproof canopies.



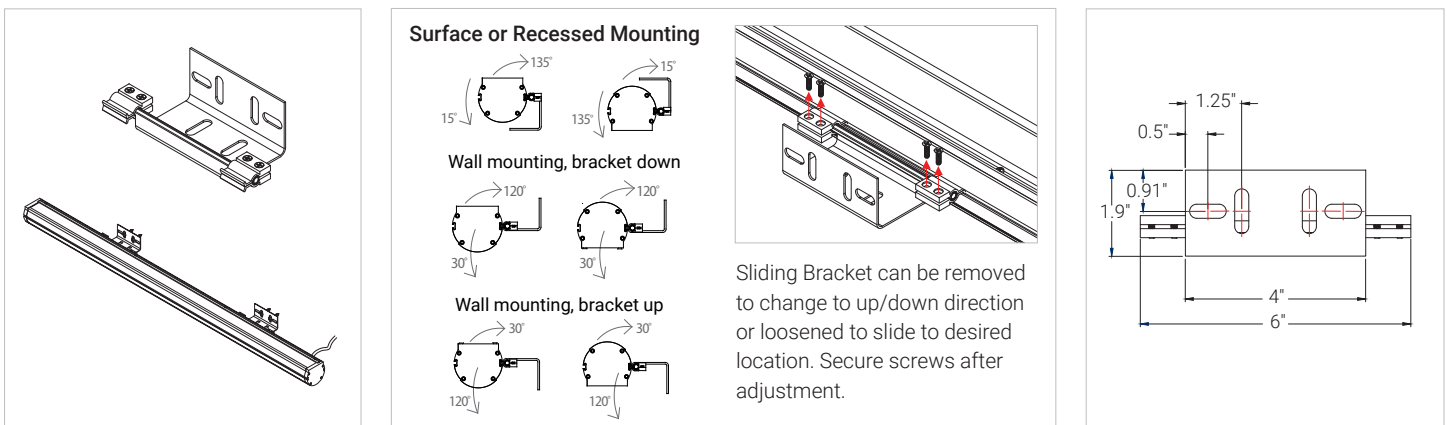
### Ax Extended Arm

With swivel mount, extended arm is available in 4"-36" lengths. Power cords can be routed through arms, exiting close to the wall to connect to an adjacent j-box or other power outlet, providing a tidy installation.



### SB Sliding Bracket

Surface mounts in position with 1/4" screws (not supplied). Fixtures 4ft + require two brackets. (Rows with Hubs - one bracket per fixture.)



Specifications sheets are subject to change without notification.

## MOUNTING INSTALLATION

### HB Hub Bracket

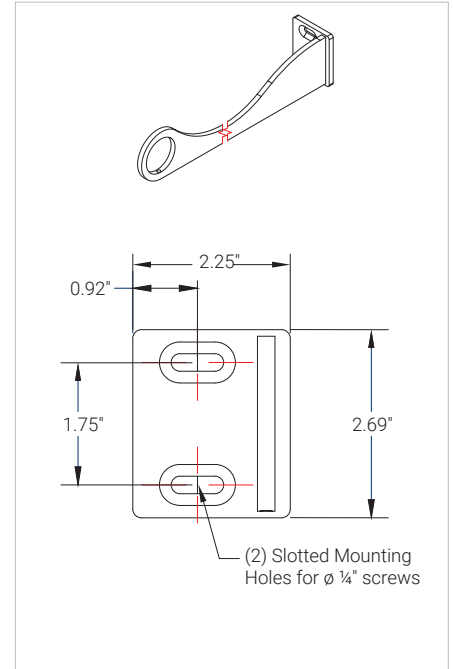
Heavy duty mounting arm with a choice of 4"-36" length used for row mounting of multiple fixtures. Locking set screws and fixture alignment brackets to secure fixtures after aiming included.

Mount Fixtures to hub brackets one at a time, starting with ender fixture into Hub Bracket(1).

After inserting fixture to (1), slide the hub bracket (2) to secure the fixture. Secure screws on hub bracket(2). Repeat.

**Optional locking bracket:**  
Secures fixtures at connecting points. 2.75" long slides into the channel and secures with two screws at the base. For swivel mounting, locking bracket will be on the cord grip side of the fixture.

BOTTOM VIEW  
Secure fixture angle by inserting and locking set screw(s).



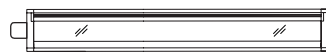
## ROW MOUNTING

Row mounting available with swivel mount, sliding brackets, hub brackets, permaposts or extended arms. Mounted fixtures include patented tool-less, IP67 wire through connection system. Rotating waterproof Hubs solve the problem of aiming connected rows. 18" weatherproof cord exits 3" from the right end back of a fixture row with the lens in the upright position. When fixtures are inverted aiming down, the cord will be on the left.

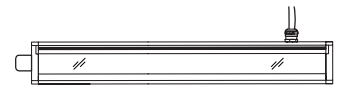
### Row Mounting shown as **uplight**



Ender Non-power

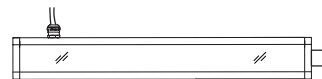


Intermediate Non-power

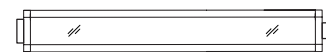


Starter Power

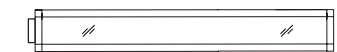
### Row Mounting shown as **downlight**



Starter Power



Intermediate Non-power



Ender Non-power

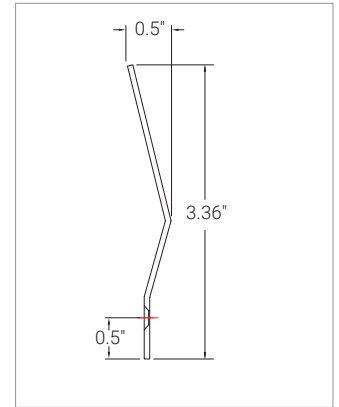
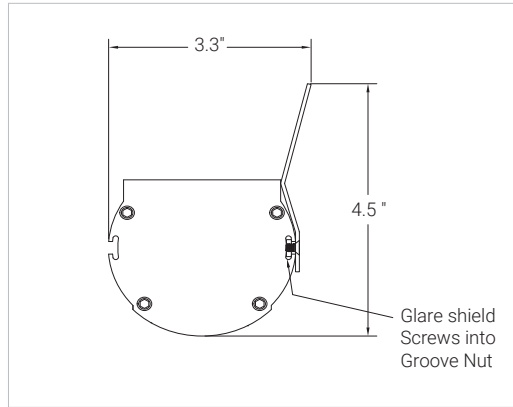
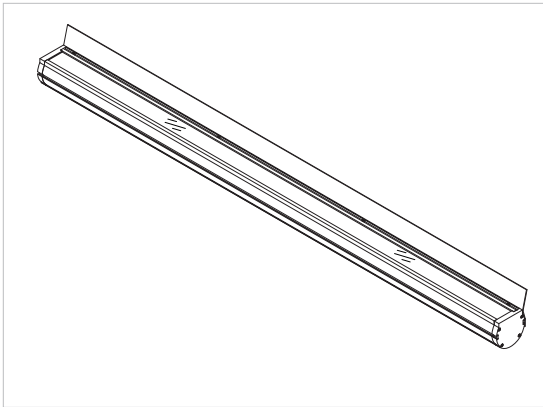


NOTE: Add 1/2" to each fixture length when interconnecting fixture rows.

## ACCESSORIES

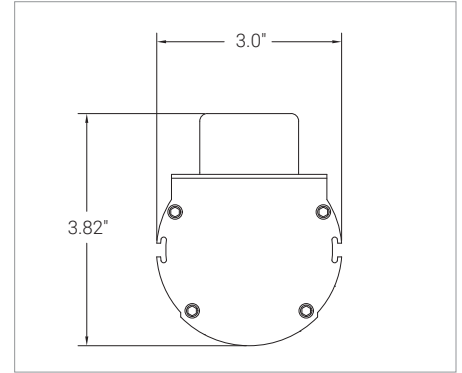
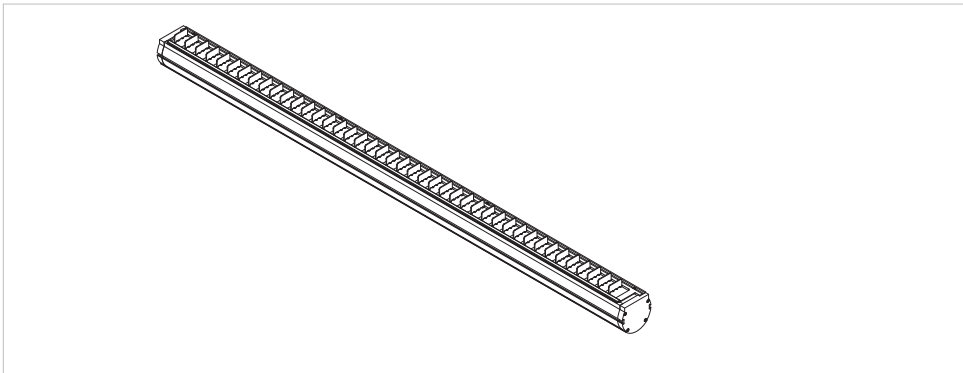
### G Glare Shield

Minimizes a direct glare, while maintaining the LED output.



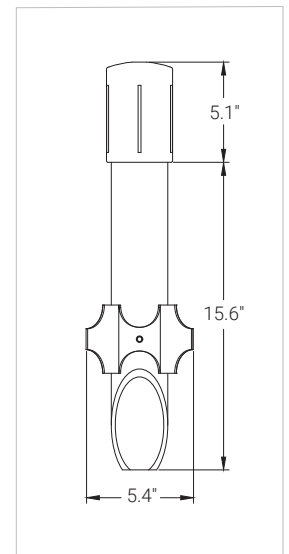
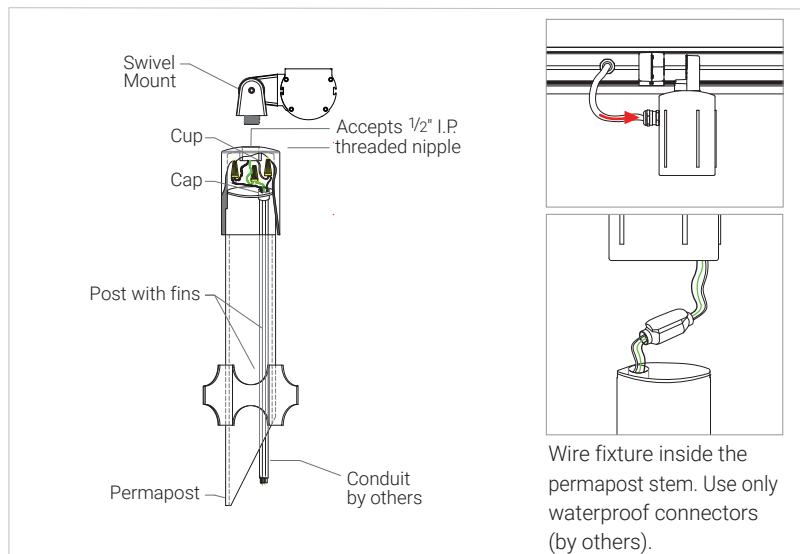
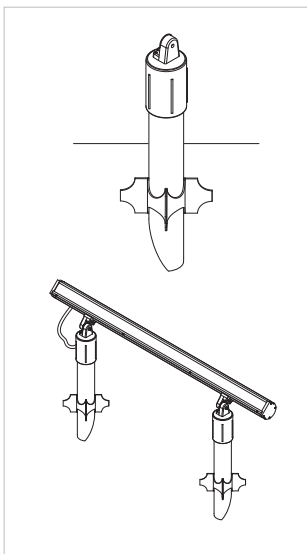
### B Blade Louver

Minimizes a horizontal glare, while maintaining the LED output.



### P Permapost

Provides easy at-grade installation. Includes swivel mount with 1/2" nipple. Fixture must be mounted at least 4" above ground level to avoid water accumulation.



Specifications sheets are subject to change without notification.

## DRIVERS

**DRIVER ORDERING CHART** IP67 Rated, 120V-277V in -24V out. 347V available upon request.

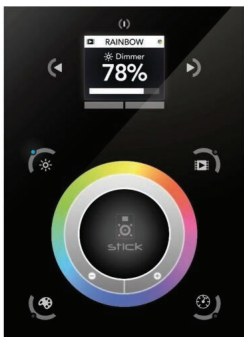
Make selections by filling out the top row to create part number. (Choose your wattage, dimming, & output voltage)

Part Number Example: BSD-40-CV-U-ND-N-MW-24V

BSD		CV	U	ND	N	MW	24V
	<b>WATTAGE</b>			<b>DIMMING</b>			<b>OUTPUT VOLTAGE</b>
	40			ND (NON DIMMING)			24V
	60						
	100						
	120						
	150						
	185						
	320						
	480						
	600						
	1000						
	1500*						
	2500*						

\*1500W & 2500W rated for indoor use only

## CONTROLLERS



- DMX Control Keypad DE3**  
Touch Sensitive Intelligent Control Pad
- Sleek glass design
  - Color/dimmer/speed palette
  - Color temperature mixing
  - Touch sensitive wheel allows for accurate color selection
  - Multi-zone microSD memory
  - Multi-room control with 500 scenes, 10 zones
  - 1024 DMX channels. Control 340 RGB fixtures
  - USB & Ethernet connectivity for programming and control

- LINEARdrive DC Controller**  
DMX/DALI/0-10V
- 4 Control Channels
  - Constant Voltage
  - 4X LED Outputs
  - Intuitive 3 Button User Interface
  - Full Color Lighting



Part #	Description
011410	DMX Control Keypad DE3
011343	LINEARdrive DC 100W
011344	LINEARdrive DC 180W
011345	LINEARdrive DC 720W
011403	DINA DR1 DMX Controller

Specifications sheets are subject to change without notification.

## ELECTRICAL DETAILS

### RGB 24V SYSTEM - PWM | 4 WIRE

BLACK	RED	GREEN	BLUE
24V+	24V-	24V -	24V -



### RGB / RGBW 24V SYSTEM DMX | 5 WIRE

BLACK	WHITE	GREEN	PURPLE	GREY
24V +	24V -	GND	DMX +	DMX -





## ELECTRICAL DETAILS

### RGBW 24V SYSTEM - PWM | 5 WIRE

BLACK	RED	GREEN	BLUE	WHITE
24V+	24V-	24V -	24V -	24V -



### RGB / RGBW 120-277V DMX | 5 Wire

BLACK	WHITE	GREEN	PURPLE	GREY
ACL	ACN	GROUND	DMX +	DMX -

